

Outdoor Normal Environment Tube Cables (Duct and Direct Buried)

Sumitomo Electric Lightwave's FutureFLEX® Outdoor Normal Environment Tube Cables (Duct and Direct Buried) are single- and multi-tube cables designed for use in creating tube cable infrastructures in outdoor environments where non-conductive elements are desired or required.

The TOX & TOD series are designed for all normal OSP environments in duct and in direct buried applications below the frost line.

FEATURES

- Works with all fiber bundle count from 2 to 72 (PEF & PVDF)
- High Performance black polyethylene (PE) tubes
- Meets TIA standards

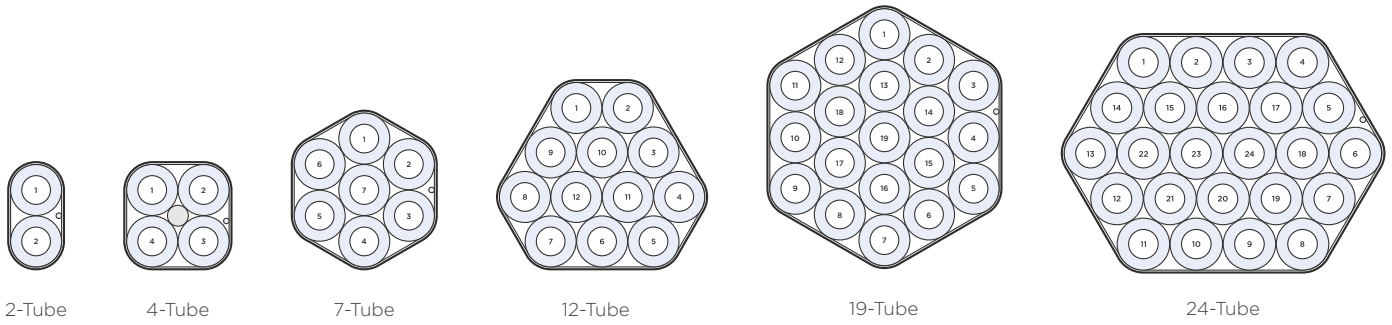
SPECIFICATIONS

PROPERTY	SPECIFICATION
Application	Duct; Direct-Buried
Environment	Outdoor
Operation Temperature Range (ICEA 640)	-40°F to +158°F (-40°C to +70°C) (ICEA 640)
Minimum Bend Radius (During /After Installation)	20 / 10 x Cable OD
Standard Reel Length	3,000 ft. (except TC24TOX 2,000 ft.)
Maximum Reel Length	3,000 ft. (except TC24TOX 2,000 ft.)
Metallic Elements (Armored Only)	Bonding / Grounding Required
Inner Tube ID / OD	6mm / 8mm



To learn more information visit www.SumitomoElectricLightwave.com

TUBE COUNTS



ORDERING INFORMATION

Non-Armored Tube Cables (TOX and TOD Series)

Water-Blocked, Dielectric Tube Cables

PART NUMBER	TUBE COUNT	O.D.	MAX WEIGHT	MAX TENSILE LOAD	STD LENGTH	MAX LENGTH
		IN	LBS/KFT	LBS	FT	FT
TC01TOX	1	0.53	59	200	3,000	3,000
TC02TOX	2	0.81	90	200	3,000	3,000
TC04TOD	4 (CSM)	0.94	146	400	3,000	3,000
TC07TOX	7	1.14	203	400	3,000	3,000
TC12TOX	12	1.46	300	400	3,000	3,000
TC19TOX	19	1.77	444	500	3,000	3,000
TC24TOX	24	2.00	650	500	2,000	2,000

Armored Tube Cables (TOX-2 and TOD-2 TOD Series)

Water-Blocked, Dielectric Tubes Cables with Jacketed Interlocked Steel Armor

PART NUMBER	TUBE COUNT	O.D.	MAX WEIGHT	MAX TENSILE LOAD	STD LENGTH	MAX LENGTH
		IN	LBS/KFT	LBS	FT	FT
TC02TOX-2	2	1.20	490	500	3,000	3,000
TC04TOD-2	4 (CSM)	1.31	538	500	3,000	3,000
TC07TOX-2	7	1.50	874	600	3,000	3,000
TC12TOX-2	12	1.89	1,089	600	3,000	3,000
TC19TOX-2	19	2.10	1,653	600	3,000	3,000

To learn more information visit www.SumitomoElectricLightwave.com