

Dual Mount Pedestal with Automatic Cable Management

Installation Manual

Cat. Nos. EPCM1-OF3, EPCM2-OF3, EPCM3-OF3

For use with Cat. Nos. EV320, EV32W, EV480, EV48W, EV48S, EV48G,
EV800, EV80W, EV80S, AND EV80G

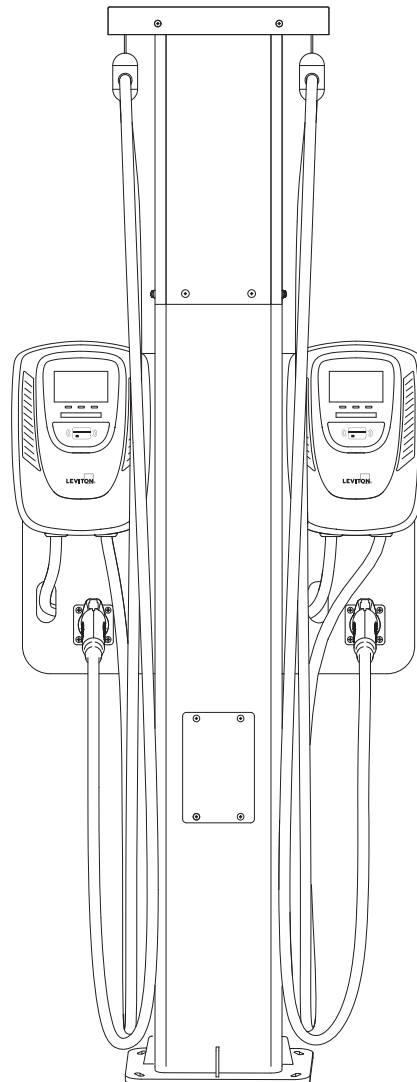


TABLE OF CONTENTS

1	Warnings	4
2	Installation	5
	2.1 Making Drill Holes.....	5
	2.2 Anchoring	6
	2.3 Upper Part Installation.....	7
	2.4 Cable Gland Installation	9
	2.5 Bracket Installation	10
	2.6 Connector Base Installation	11
	2.7 Mounting the Charging Station	12
	2.8 Charger Holder Plate Installation	13
	2.9 Connecting	14
	2.10 Positioning the Cable Clamp.....	16
3	Standard Statements and Warranty	17

1 WARNINGS

Safety Instructions

WARNING: TO AVOID INJURY, DEATH OR PROPERTY DAMAGE, follow these safety instructions.

Electrical hazard!

- The installation, commissioning and maintenance of the charging station must only be performed by correctly trained, qualified and authorized personnel who are knowledgeable of and responsible for the compliance with existing standards and installation regulations.
- If the specifications for the location are not followed, this can result in death, injury or equipment damage!
- The pedestal must always be fitted with two charging stations!

Use of this manual

This installation manual is intended for qualified personnel only. The information and instructions in the manual about selecting the location, installation and connection of the charging station must be adhered to.

EPCM1-OF3:	Quantity
Pedestal Body	1
M8 100mm Expansion Screw	4
M6 20mm Screw	14
M6 Spring Washer	14
M6 Flat Washer	14
M8 16mm Screw	16
M8 Flat Washer	6
M40 Cable Gland	2
M8 Spring Washer	6
M5 22mm Screw	10
Junction of Pedestal	1
Connector Base	2
Screwdriver	1
Installation Manual	1

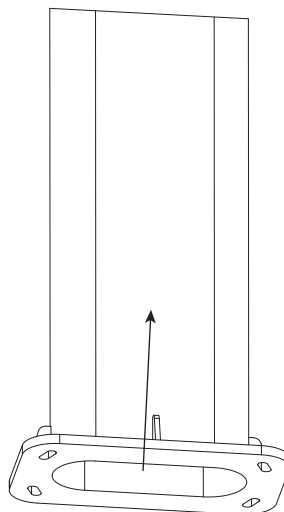
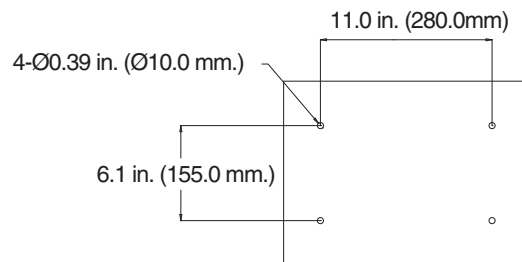
EPCM2-OF3:	Quantity
Mounting Template	1

EPCM3-OF3:	Quantity
Cord Management System	1

2 INSTALLATION

2.1 Making Drill Holes

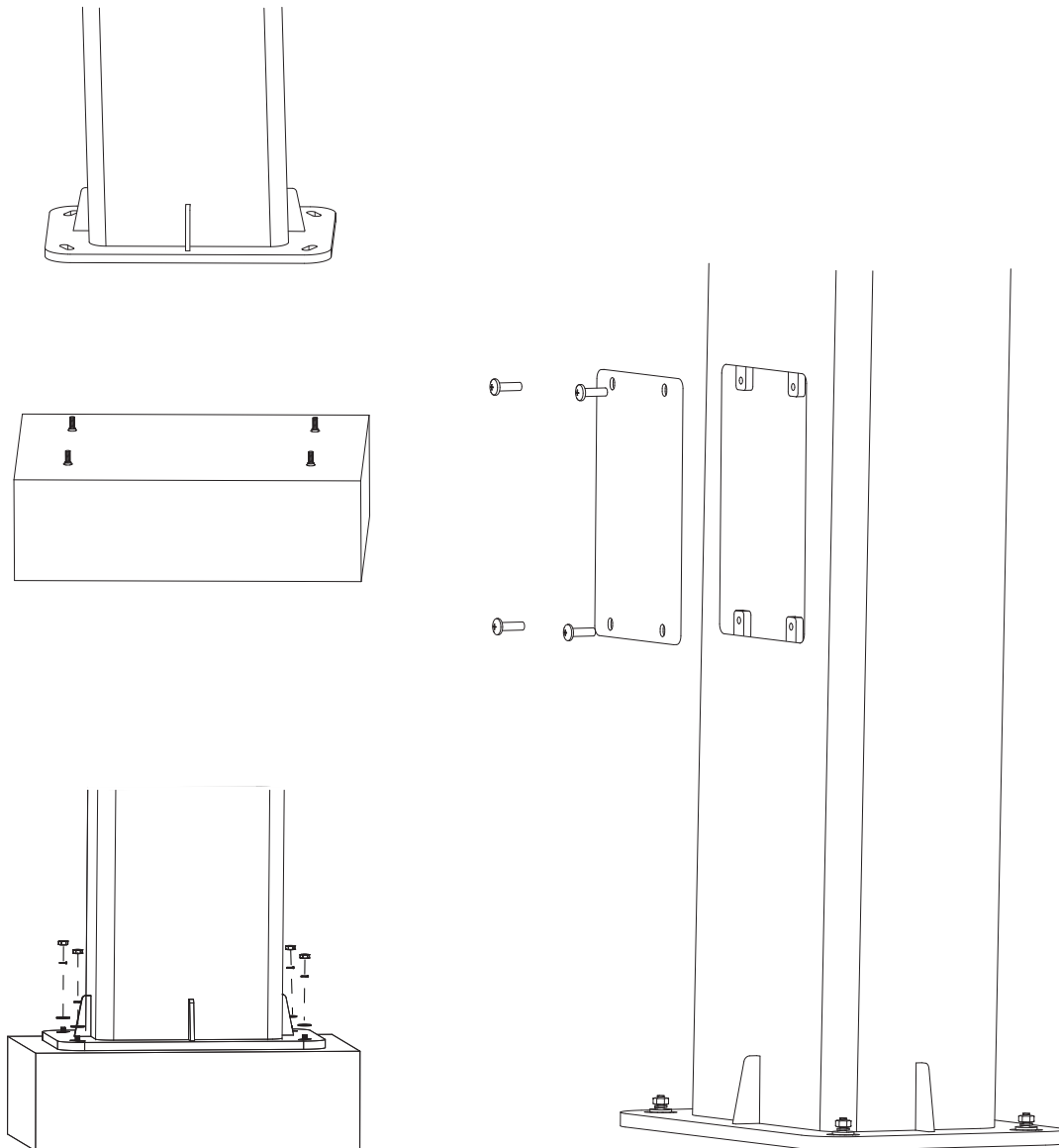
1. Mark the 4 holes on the concrete foundation using the base-plate of the pedestal. Make sure that the connection cable is located precisely underneath the opening in the base-plate.
2. Drill the 4 mounting holes:
Diameter: 10 mm.
Drill-hole minimum depth: 84 mm.
3. Hammer the anchors (not included) so that they are flush with the floor.
4. Thread the connection cables from the bottom through the pedestal upwards through the cable opening.



2 INSTALLATION

2.2 Anchoring

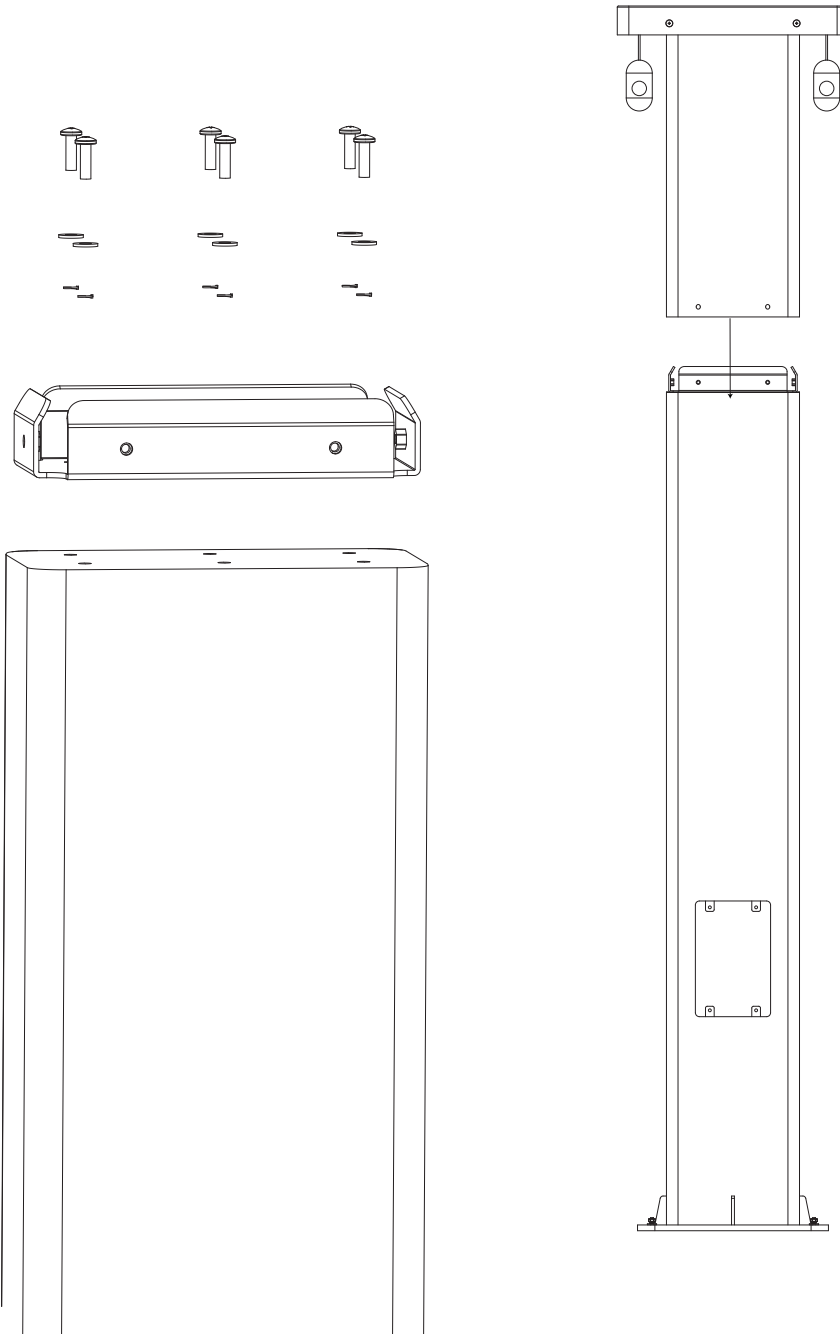
1. Position the pedestal (lower part) directly over the cable outlet.
2. Anchor the pedestal (lower part) to the foundation using 4 sets of M8 100 mm. expansion screws (flat washer, spring washer and bolt were included).
3. Remove the 4 M6 20 mm. screws of wiring window on pedestal.



2 INSTALLATION

2.3 Upper Part Installation

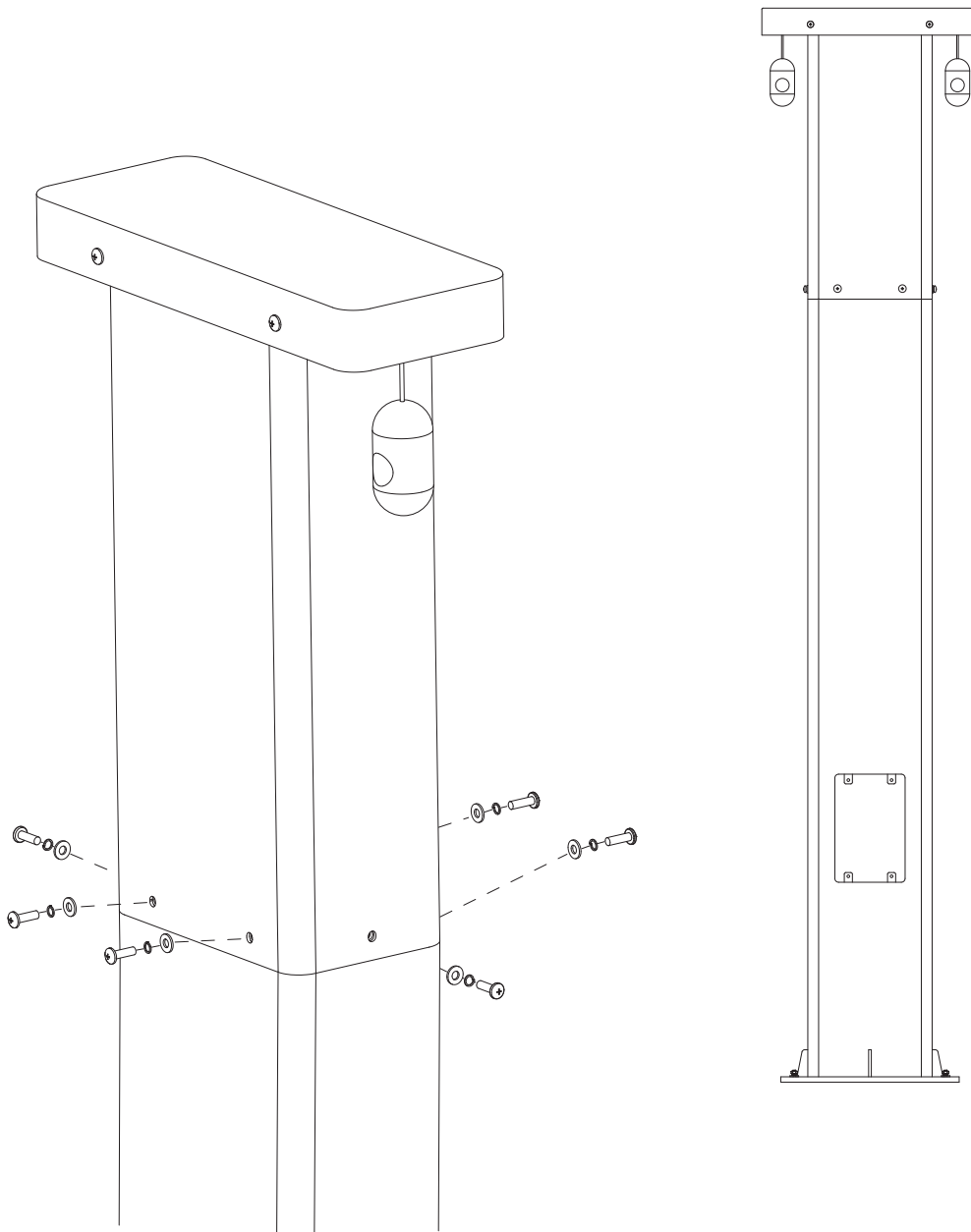
1. Connect the junction by 6 sets of M6x20 mm. screws with spring washer and flat washer.
2. Cap the upper part of pedestal with cable management structure.



2 INSTALLATION

2.3 Upper Part Installation (Continued)

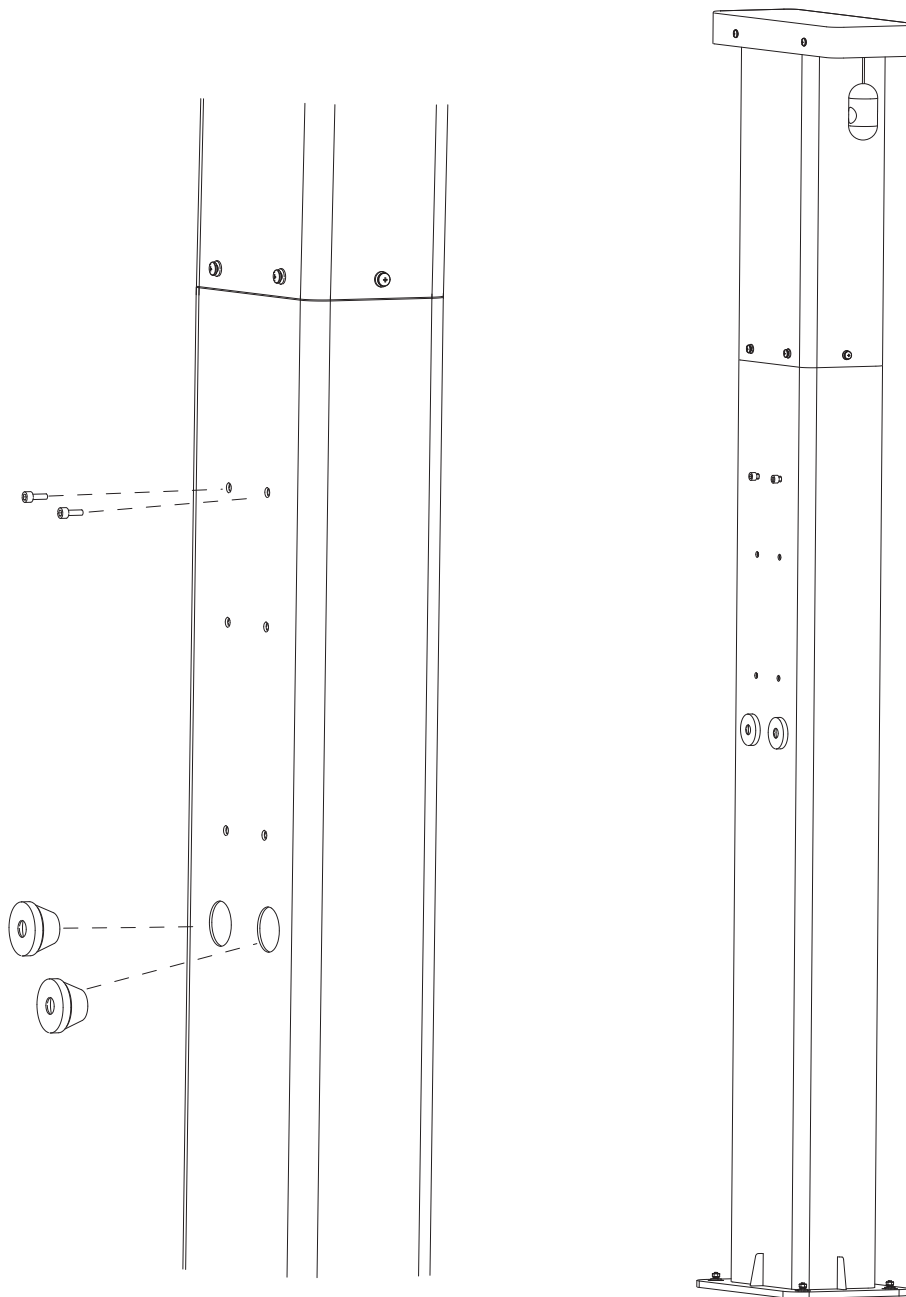
3. Fix the upper part with 6 sets of M6 20mm screws with spring washer and flat washer.



2 INSTALLATION

2.4 Cable Gland Installation

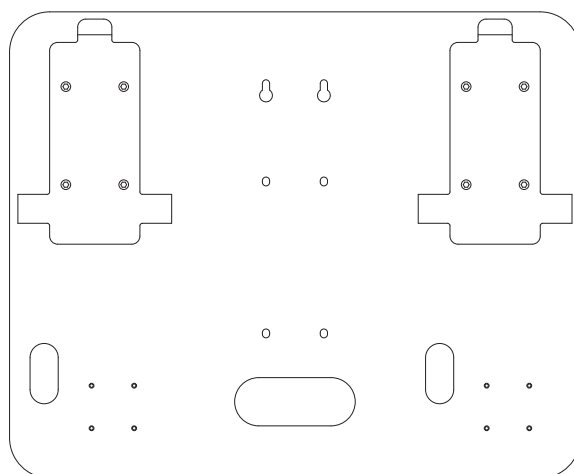
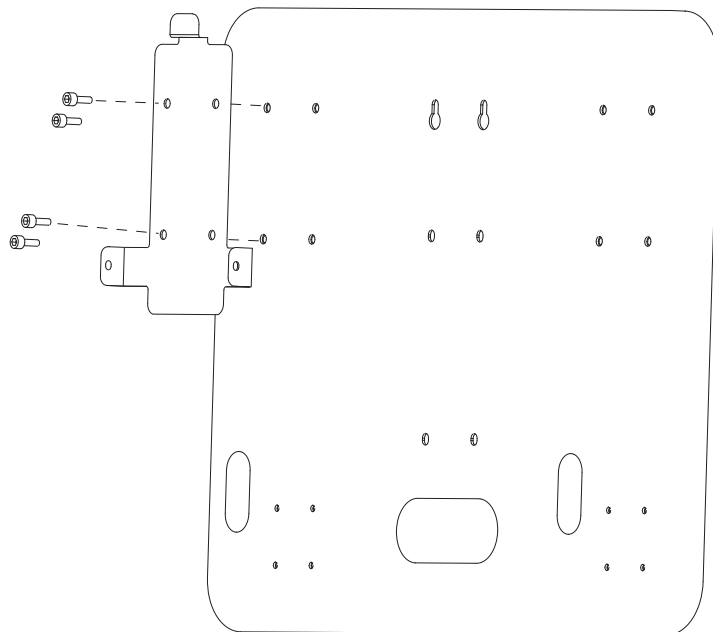
1. Insert the 2 cable glands to the pedestal properly.
2. Fix 2 M8x16mm screws with 5 mm. thread length reserved for charger holder plate.



2 INSTALLATION

2.5 Bracket Installation

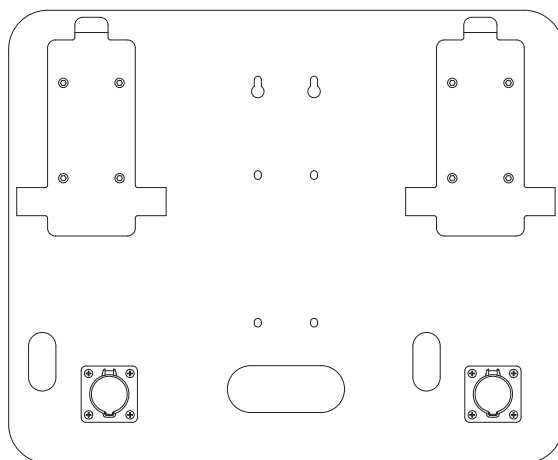
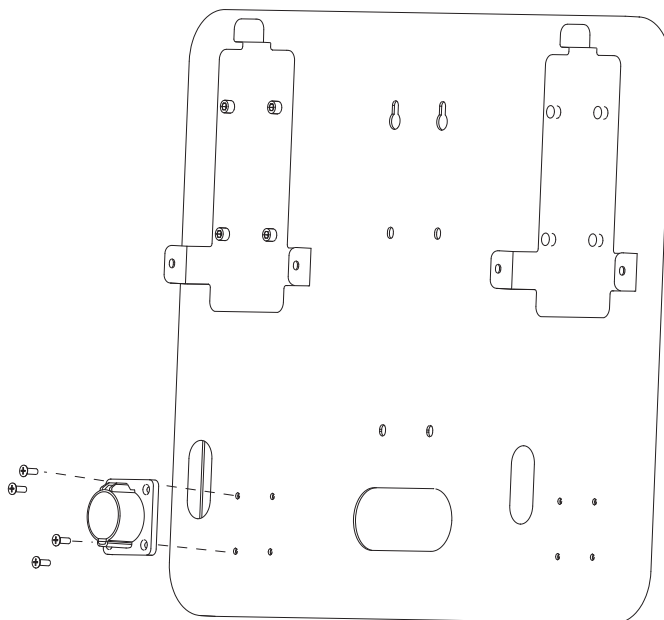
1. Take off the wall-mounted bracket of 2 chargers, and fix it in the corresponding position on the charger holder plate with 8 of M8x16 mm. screws.



2 INSTALLATION

2.6 Connector Base Installation

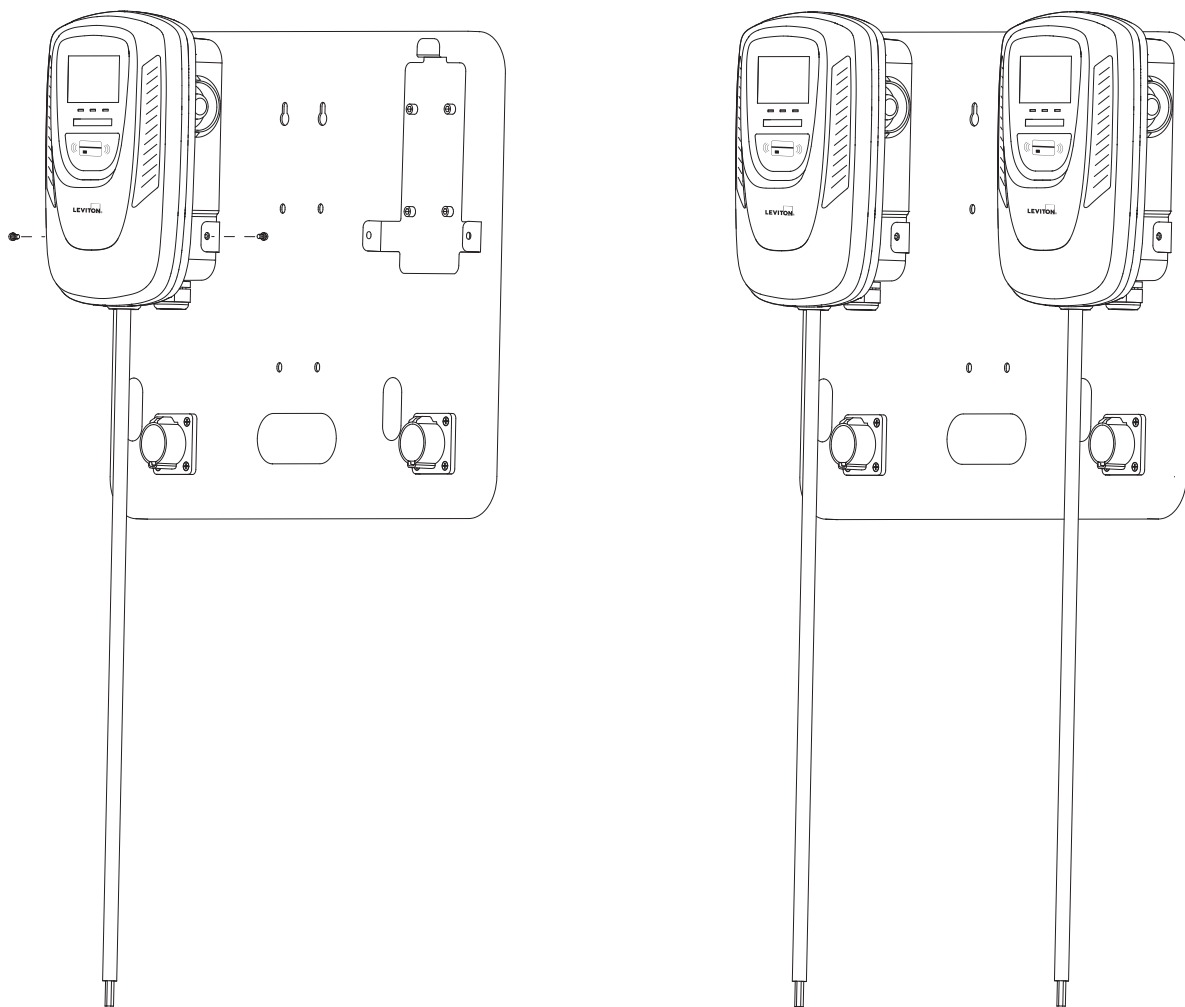
1. Use 8 of M5x22 mm. screws to fix the 2 connector bases in the corresponding position of charger holder plate.



2 INSTALLATION

2.7 Mounting the Charging Station

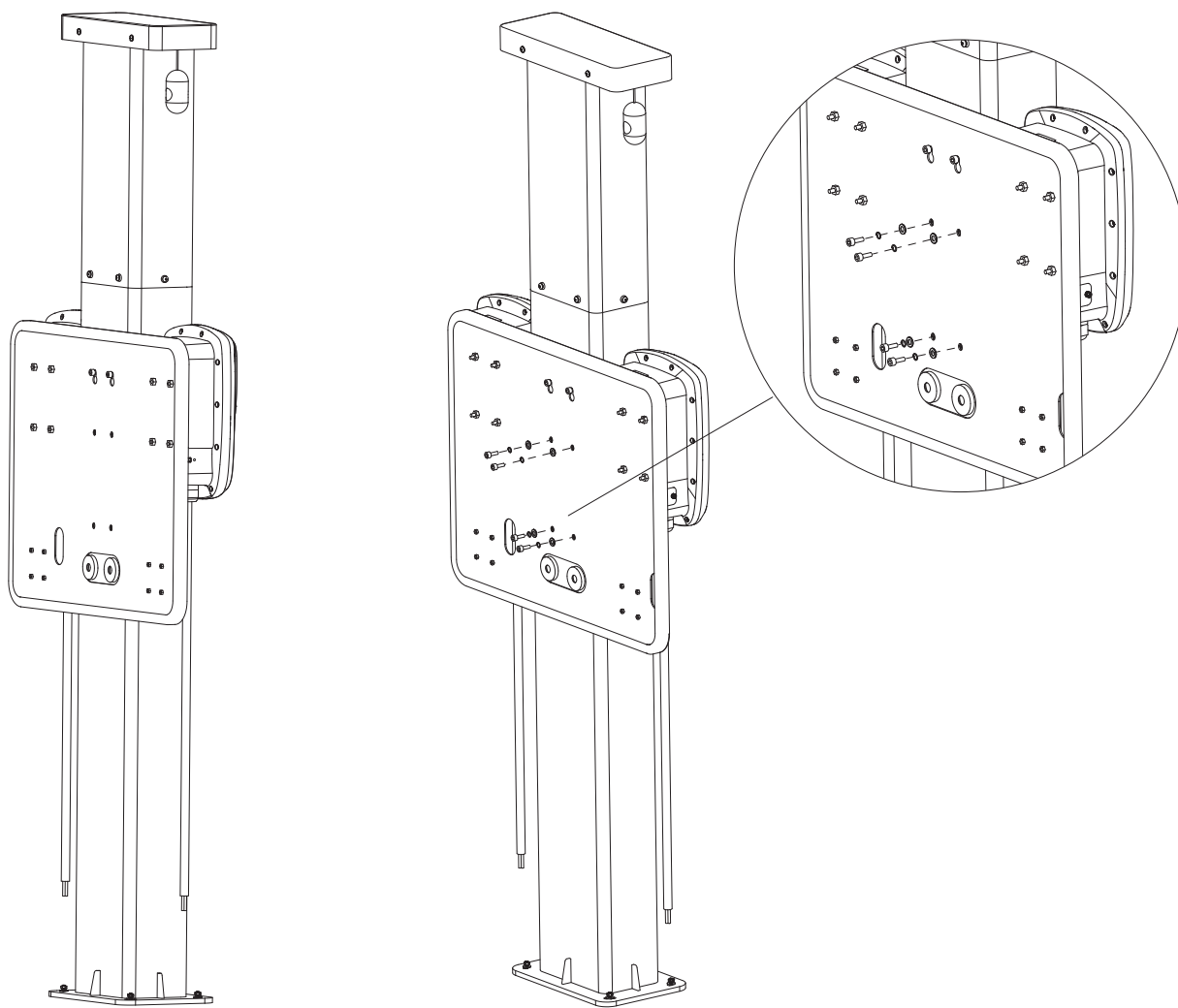
1. Mount two (2) charging stations on the charger holder plate using four (4) of M5x12 mm. screws on two sides of the charger (screws from chargers).



2 INSTALLATION

2.8 Charger Holder Plate Installation

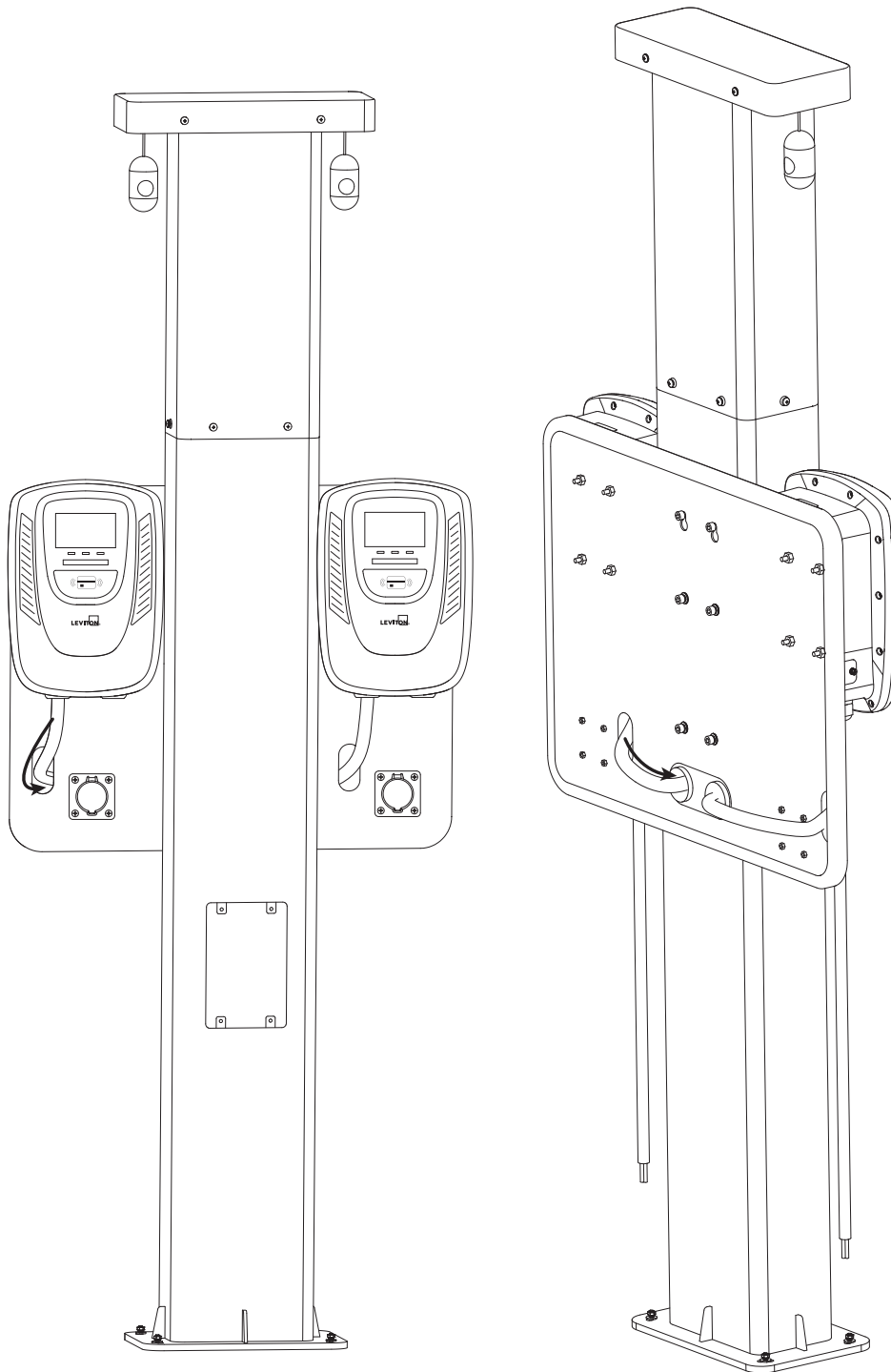
1. Hook the charger holder plate on the screws, and fix with 4 M8x16 mm. screws with spring washer and flat washer.



2 INSTALLATION

2.9 Connecting

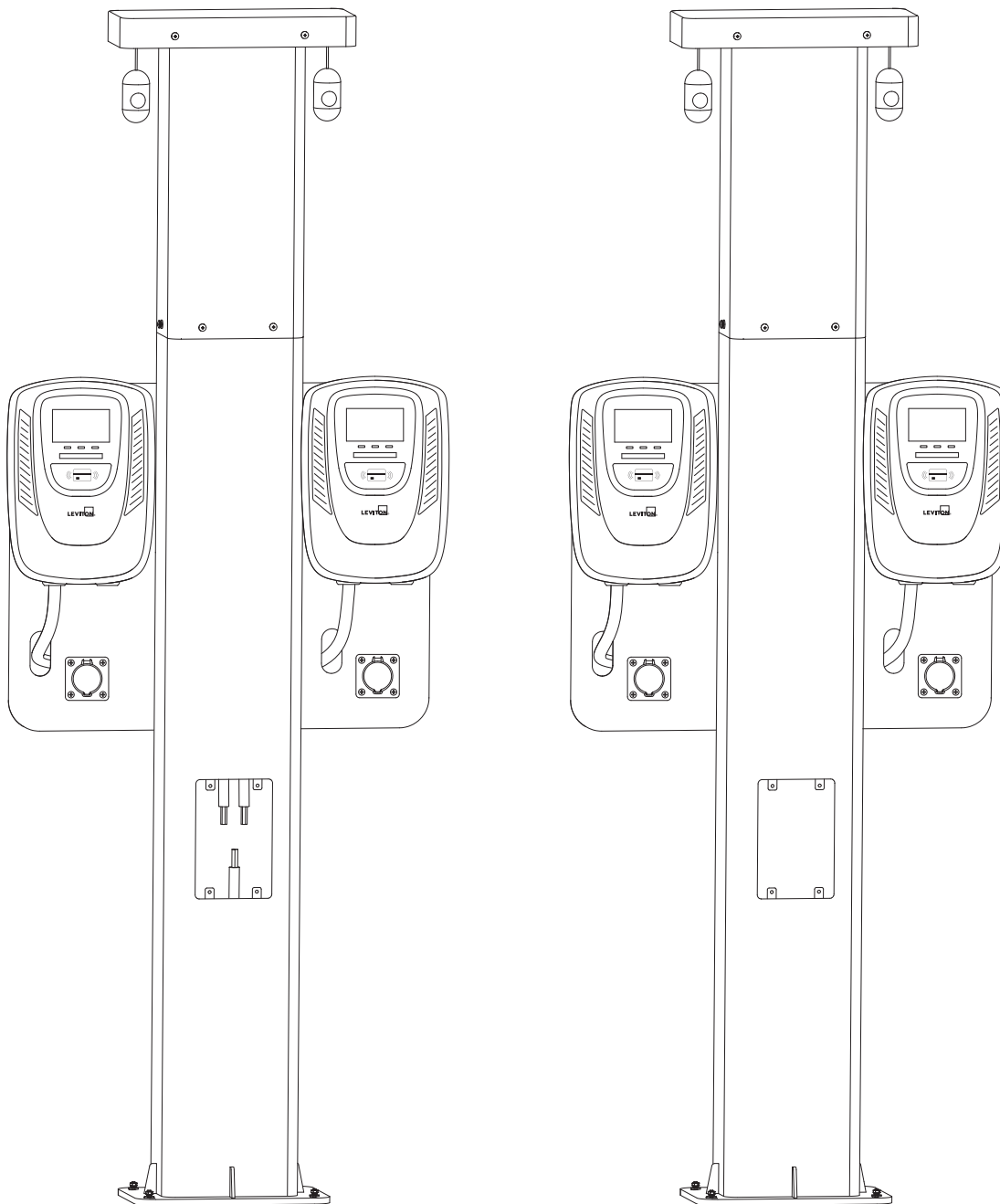
1. Thread the connection cables from the side to cable gland.



2 INSTALLATION

2.9 Connecting (Continued)

1. Perform the electrical connection and commissioning in accordance with the instructions
2. Fix the 4 M6x20 mm. screws of wiring window.



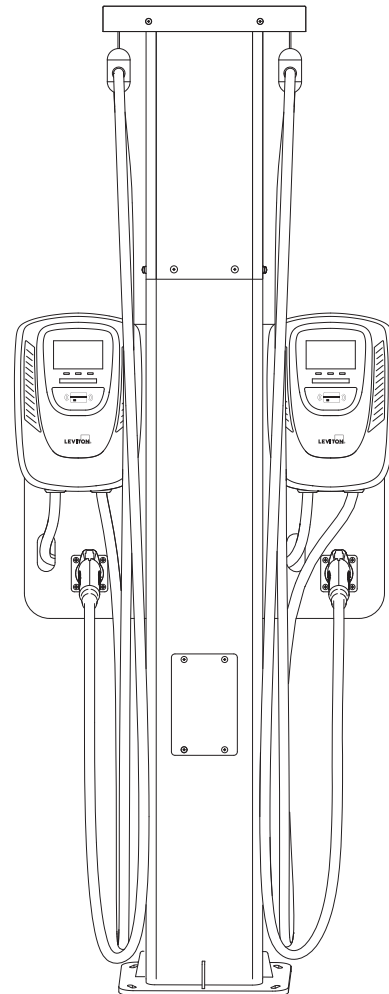
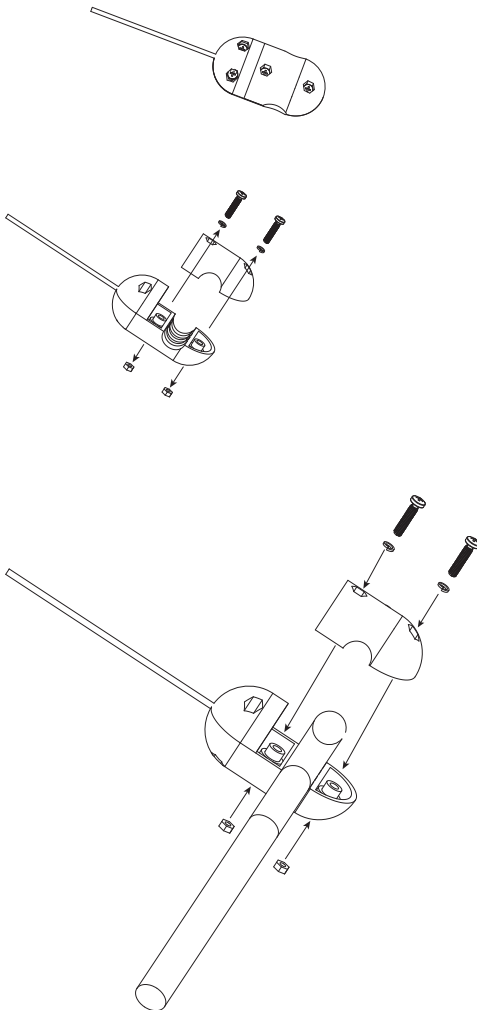
2 INSTALLATION

2.10 Positioning the Cable Clamp

1. Pull on the cable of the cable management system to hold the cable clamp in your hand.
2. Remove the two screws as shown below.
3. Determine where to position the charging station cable clamp.

Recommendation: The cable portion between the clamp and the charging connector must not touch the ground when the cable management system is completely retracted. The cable should hang about 5 cm. (2 in.) above the ground.

4. Set the clamp over the band and reinsert the bolt and washer (M5 28mm) in it by adjusting the torque of your tool to 13.3 in-lbs.
5. Let the cable retract itself. Verify the clearing between the charging station cable and the ground.
6. Return the plug to the connector base.



3 STANDARD STATEMENTS AND WARRANTY

FCC SUPPLIER'S DECLARATION OF CONFORMITY:

This device manufactured by Leviton Manufacturing Co., Inc. 201 North Service Road, Melville, NY 11747. www.leviton.com. This device complies with part 15 of the FCC Rules. Operation is subject to the following two conditions: (1) This device may not cause harmful interference, and (2) this device must accept any interference received, including interference that may cause undesired operation.

TRADEMARK DISCLAIMER:

Leviton and the Leviton logo are trademarks of Leviton Manufacturing Co., Inc. Use herein of third party trademarks, service marks, trade names, brand names and/or product names are for informational purposes only, are/may be the trademarks of their respective owners; such use is not meant to imply affiliation, sponsorship, or endorsement.

Leviton Manufacturing Co., Inc.
201 North Service Road, Melville, NY 11747

Visit Leviton's website at www.leviton.com

© 2024 Leviton Manufacturing Co., Inc. All rights reserved.

Specifications and price subject to change at any time without notice.

FOR CANADA ONLY

For warranty information and/or product returns, residents of Canada should contact Leviton in writing at **Leviton Manufacturing of Canada ULC** to the attention of the **Quality Assurance Department, 165 Hymus Blvd, Pointe-Claire (Quebec), Canada H9R 1E9** or by telephone at **1 800 405-5320**.

LIMITED 2 YEAR WARRANTY AND EXCLUSIONS

Leviton warrants to the original consumer purchaser and not for the benefit of anyone else that this product at the time of its sale by Leviton is free of defects in materials and workmanship under normal and proper use for 2 years from the purchase date. Leviton's only obligation is to correct such defects by repair or replacement, at its option. **For details visit www.leviton.com or call 1-800-824-3005.** This warranty excludes and there is disclaimed liability for labor for removal of this product or reinstallation. This warranty is void if this product is installed improperly or in an improper environment, overloaded, misused, opened, abused, or altered in any manner, or is not used under normal operating conditions or not in accordance with any labels or instructions. **There are no other or implied warranties of any kind, including merchantability and fitness for a particular purpose,** but if any implied warranty is required by the applicable jurisdiction, the duration of any such implied warranty, including merchantability and fitness for a particular purpose, is limited to 5 years. **Leviton is not liable for incidental, indirect, special, or consequential damages, including without limitation, damage to, or loss of use of, any equipment, lost sales or profits or delay or failure to perform this warranty obligation.** The remedies provided herein are the exclusive remedies under this warranty, whether based on contract, tort or otherwise.

For Technical Assistance Call: 1-800-824-3005 (USA Only) or 1-800-405-5320 (Canada Only) www.leviton.com

