

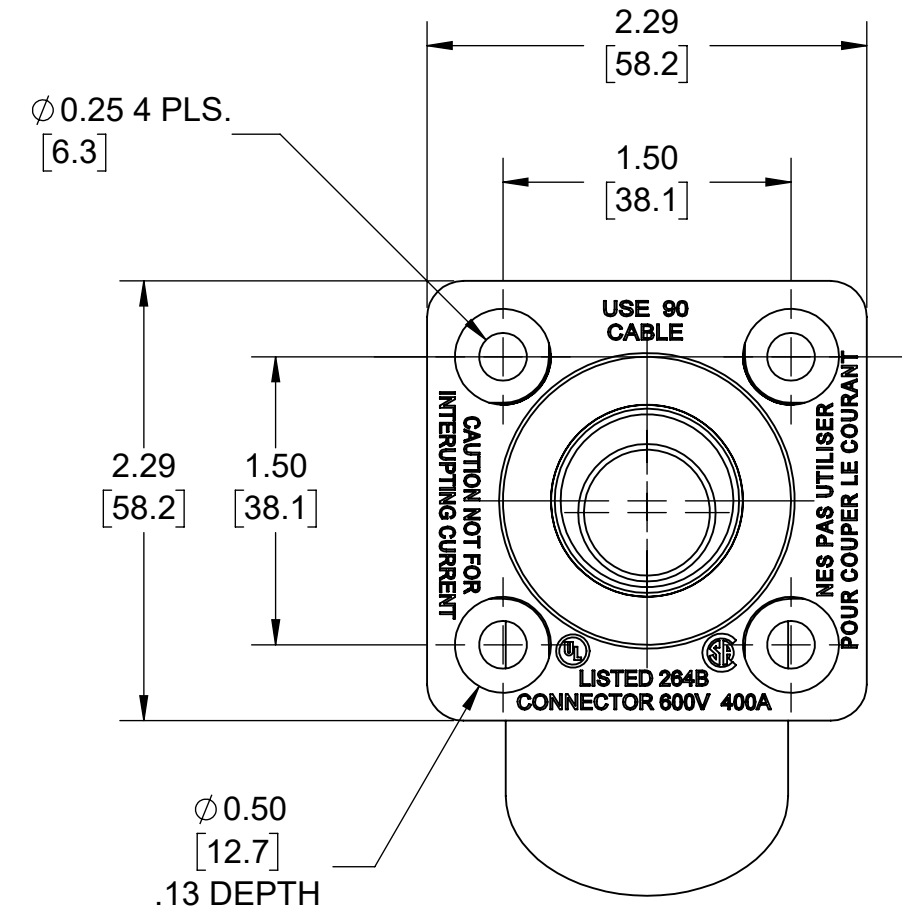
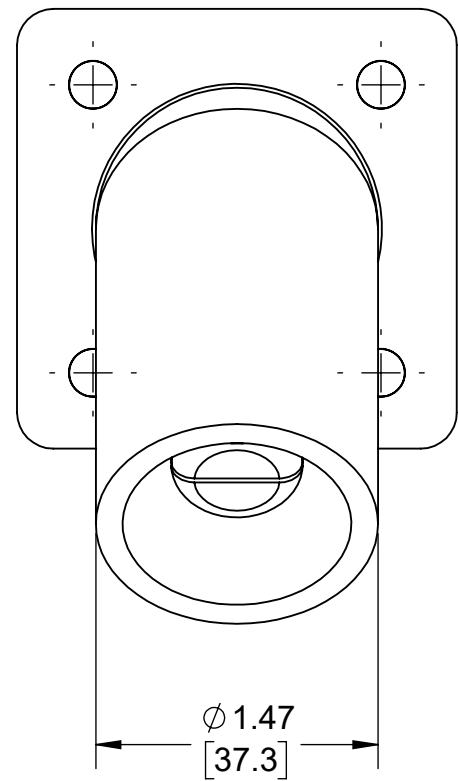
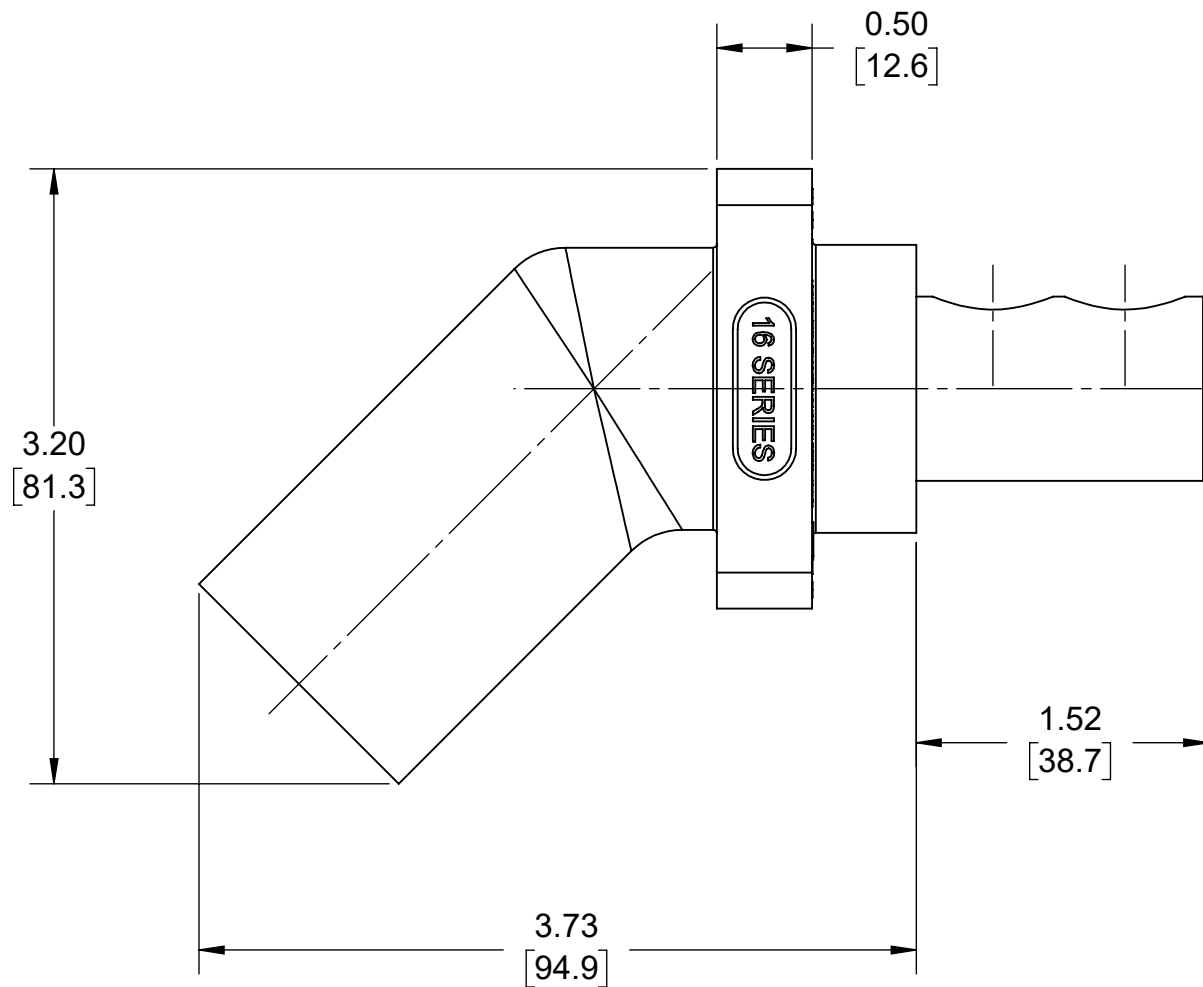
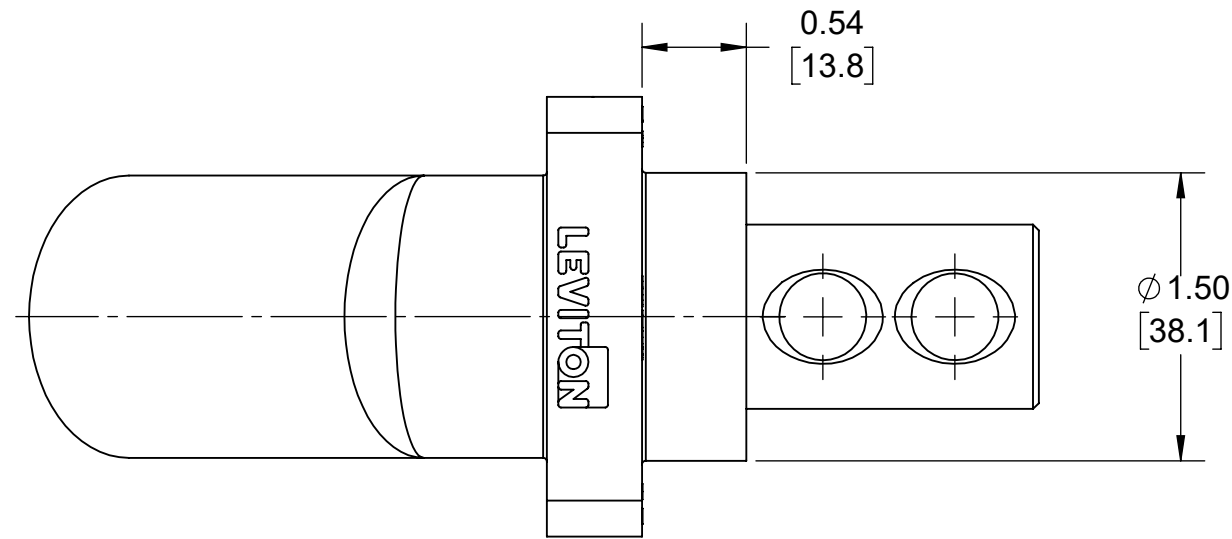
4

3

2

1

CATALOG# 16R27
DIM: IN/mm



UNLESS OTHERWISE SPECIFIED:
DO NOT SCALE DRAWING.
ALL DIMENSIONS ARE IN INCHES.
ALL ANGLES ARE IN DEGREES.

TOLERANCES

INCH	METRIC
.XX ± .01	.X ± .2 mm
.XXX ± .005	.XX ± .1 mm

ANGLES: ± 1/2°

THIRD ANGLE PROJECTION



ALL PRINTED COPIES
ARE UNCONTROLLED

LEVITON

TITLE:
**16 SERIES 45 DEGREE PANEL
MALE DOUBLE SET SCREW**

DWG NO.
CATSTD-16R27-00X-D01

SIZE B	SCALE:1:1	SHEET 1 OF 1	REV A
------------------	-----------	--------------	-----------------

Copyright 2019. Unpublished. All Rights Reserved.

4

3

2

1