

3/4" & 1" Stubby Steel Door Recessed Switch Set

WWW.GRISK.COM



180RS & 8080RS-T Series

- ◆ Recessed magnetic contact
- ◆ 12" #22AWG leads or screw terminals
 - ◆ Longer leads, zip cord or jacketed cable upon request
- ◆ Built in E.O.L. Resistors and Diodes upon request
- ◆ Supervisory Loops upon request
- ◆ Colors white, brown, gray, black
- ◆ Available closed loop only



180RS-12



8484RS-T

Part Numbers

Up to 5/8" Gap on steel*

3/4" Dia.
1" Dia.
3/4" Dia.
1" Dia.

Closed Loop

180RS-12
184RS-12
8080RS-T
8484RS-T

** Gaps will increase substantially for installations other than steel.*

WARRANTY: Lifetime warranty against workmanship, material and factory defects.

GEORGE RISK INDUSTRIES, INC.
G.R.I. PLAZA
KIMBALL, NE 69145

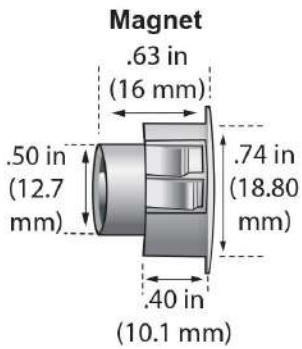
WWW.GRISK.COM



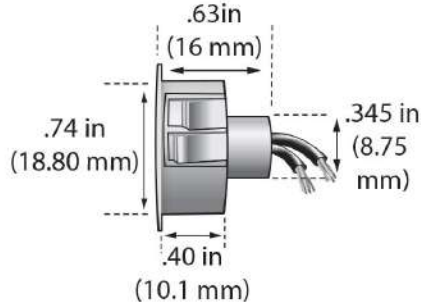
1-800-445-5218
1-800-523-1227
(308) 235-4645
FAX (308) 235-3561
E-MAIL: sales@grisk.com

3/4" & 1" Stubby Steel Door Recessed Switch Set

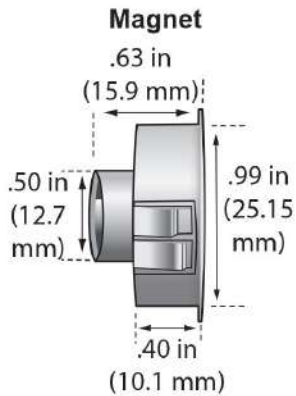
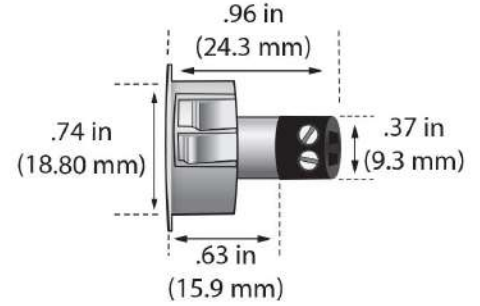
WWW.GRISK.COM



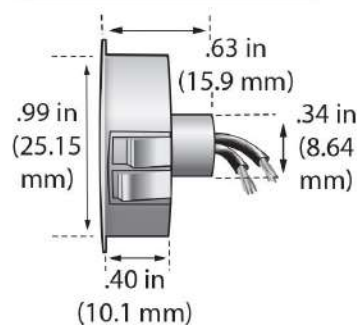
180RS-12



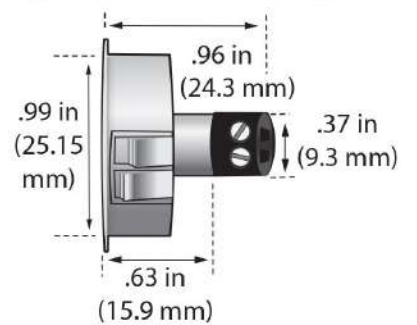
8080RS-T



184RS-12



8484RS-T



8080-TMC

GRI PRODUCTS MEET OR EXCEED THESE MINIMUM GENERAL SPECIFICATIONS:

Part Number	Loop Type	Electrical Configuration	Reed Form	Maximum Initial Contact Resistance (Ω)	Maximum Contact Rating (W)	Maximum Switching Voltage (VDC)	Maximum Switching Current (A)
180RS-12	Closed	N/O	A	.150	10	200	.500
184RS-12	Closed	N/O	A	.150	10	200	.500
8080RS-T	Closed	N/O	A	.150	10	200	.500
8484RS-T	Closed	N/O	A	.150	10	200	.500

WARRANTY: Lifetime warranty against workmanship, material and factory defects.

GEORGE RISK INDUSTRIES, INC.
G.R.I. PLAZA
KIMBALL, NE 69145

WWW.GRISK.COM



1-800-445-5218
1-800-523-1227
(308) 235-4645
FAX (308) 235-3561
E-MAIL: sales@grisk.com