

4900 Heavy Duty Deadlatch



ALUMINUM

GRADE 1
E8231

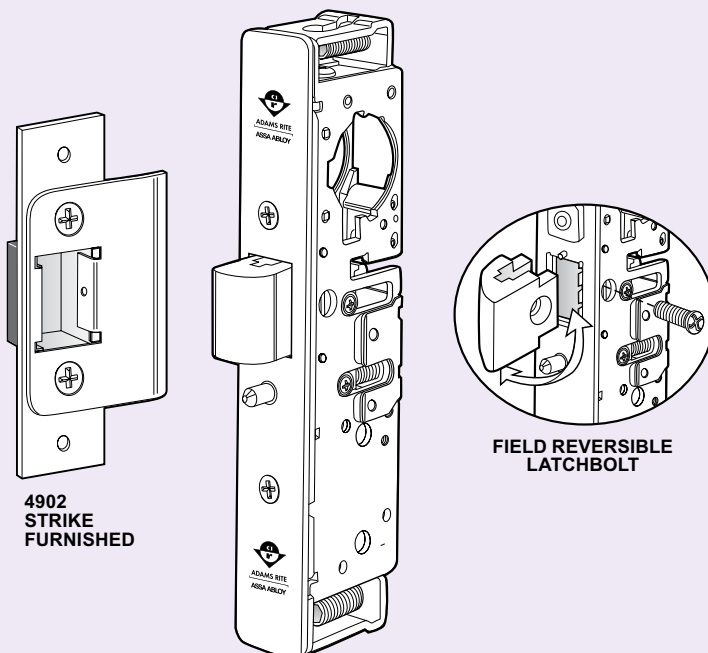
4900 Heavy Duty Deadlatch provides flexible traffic control and easy installation.

Function

Flexibility of traffic control and installation is offered by 4900 Heavy Duty Deadlatches. A reverse turn of the key while bolt is held retracted retains the bolt, to allow two-way traffic for applications which require free entrance at certain times and exit-only at other times. Interchangeable, without stile modification, with any MS1850A or MS1850S deadbolt of same backset and faceplate shape. Also retrofits to existing 4500 and 4700 Deadlatch preparations. 1-3/4" minimum door thickness required.

Operation

Turn key or operate handle or paddle to retract spring-loaded Latchbolt. To hold bolt retracted, push it in and secure by reverse turn of key. Uses any standard 1-5/32" mortise cylinder with MS® dimensioned cam.



Specifications

BOLT HOLDBACK

- While bolt is held fully retracted, a reverse turn of the key retains the bolt, allowing the door to be free swinging.

CYLINDER BACKSET

- 31/32", 1-1/8", or 1-1/2".

CASE

- Measures 7/8" x 5-13/16" x depth. Depth varies by backset (see table on back of page). Steel with corrosion-resistant plating. Screw-fastened tube spacer brackets allow for cleaner removal when tab mounting.

LATCHBOLT

- 5/8" x 1" x 5/8" throw. Solid brass. Handing is easily reversible using only a screwdriver.

AUXILIARY LATCHPIN

- Stainless steel. Deadlocks Latchbolt to prevent "loiding" or case-knife entry.

FACEPLATES

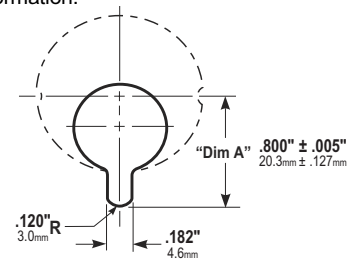
- Measures 1" x 6-7/8". Both flat and radius faceplates are supplied. Flat faceplates can also be adjusted in the field for right or left beveled edge doors.

STRIKES

- Standard strike furnished is 4902 for flat jamb where door closes flush or nearly flush. Specify 4901 for retrofit installations. Also available: radius strike for opposite stile in paired doors and long lip strikes for centerhung doors.

CYLINDER CAM

- 4900 Heavy Duty Deadlatches are operable by any standard 1-5/32" diameter mortise cylinder with MS® cam dimensioned as shown. Cylinders with MS® cams can be readily obtained from most cylinder manufacturers. See CYLINDERS section for cylinder make, thumbturn and trim ring information.

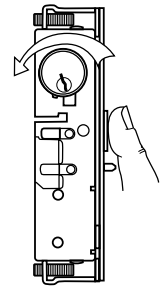


OPTIONS

- Backset, strike, and finish must be specified when ordering. See 4920AN Heavy Duty Deadlatch (ANSI Size) for wood and hollow metal door applications.

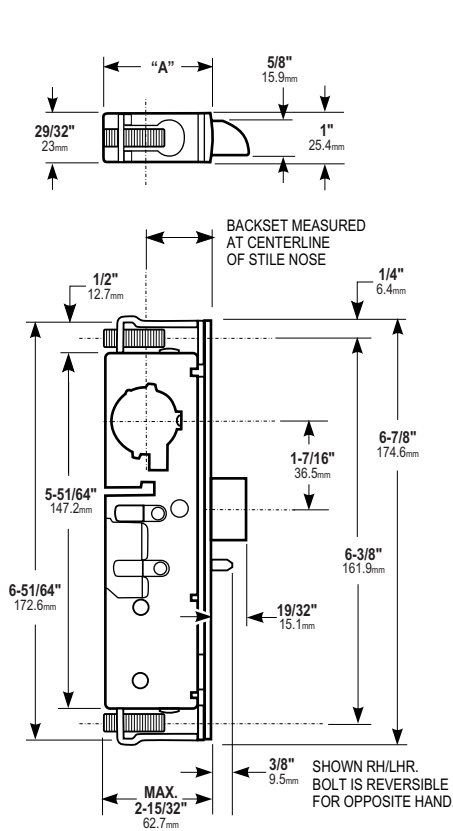
STANDARD PACKAGE

- Individually boxed with flat and radius faceplates, strike, and machine screws for mounting. Order cylinders, paddles, handles, or lever operators separately. Shipping weight: 1-1/4 lbs.

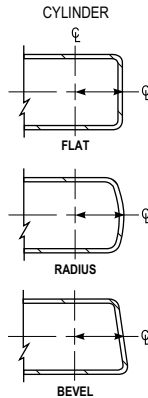


All measurements are approximate and are provided for informational purposes only. Refer to the product Installation Instructions.

Dimensions



HOW BACKSET IS MEASURED:



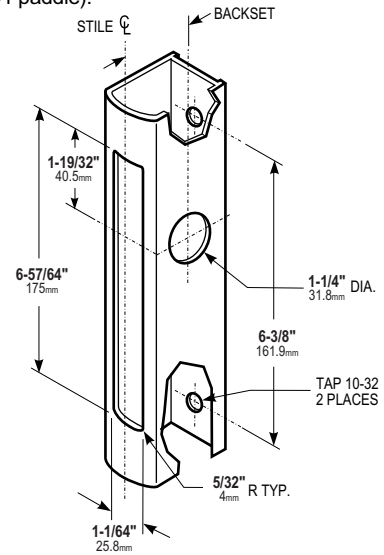
| BACKSET | "A" |
|------------------|--------------------|
| 31/32" 24.6mm | 1-5/8" 41.3mm |
| 1-1/8" 28.6mm | 1-49/64" 44.8mm |
| 1-1/2" 38.1mm | 2-9/64" 54.4mm |

| ARMORED FACEPLATE 1" X 6-7/8" |
|--|
| FLAT P/N 24-0137-01-XXX |
| RADIUS P/N 24-0137-02-XXX |
| RADIUS W/ WEATHERSTRIP P/N 24-0137-03-XXX |

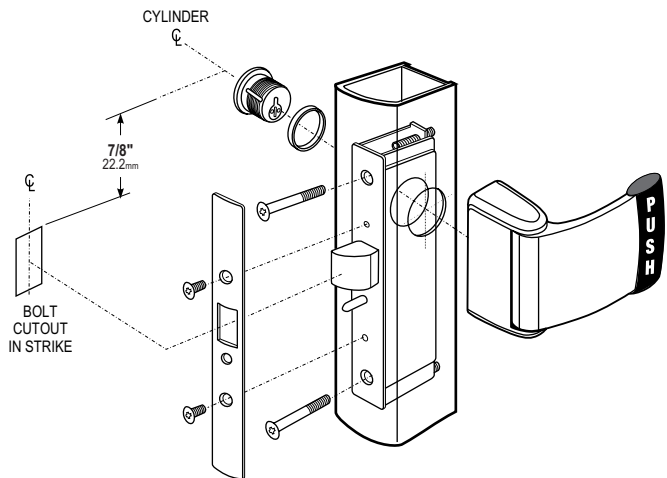
Flat faceplate can be adjusted for right or left beveled edge doors.

Stile Preparation

Identical to MS1850A or MS1850S Series (See also prep for 4591 paddle).



Latch Paddle & Cylinder Installation



HOW TO ORDER 4900 HEAVY DUTY DEADLATCH

Specify quantity and the following information. Order related products separately.

| Product No. | Faceplate | BACKSET | HANDING | STRIKE SIZE | STRIKE SHAPE/LIP LENGTH | FACEPLATE FINISH |
|-------------|--------------------------|-----------|-------------|--------------------------|---------------------------------|--------------------------|
| 49 | 00 | -3 | 5 | -2 | 01 | -628 |
| | 00 Standard | 2 31/32" | 5 LH or RHR | 1 Mortised (4901) 4-5/8" | 01 Flat/Standard Jamb | 313 Dark Bronze Anodized |
| | 11W Radius w/Weatherseal | 3 1-1/8" | 6 RH or LHR | 2 Mortised (4902) 2-5/8" | 02 Radius/Standard Stile | 335 Black Anodized |
| | | 4 1-1/2" | | | 17 Flat/Center Hung 4" Jamb | 628 Clear Anodized |
| | | | | | 21 Flat/Center Hung 4-1/2" Jamb | |

RELATED PRODUCTS When purchasing this product, please consider the following related products, available separately:

Accessories

Lock mounting accessories and options.

Cylinders

4900 Heavy Duty Deadlatches operable by any standard 1-5/32" diameter mortise cylinder with MS® cam.

Trim

Entry trim, paddles, handles and lever operators.

Electric Strikes

Application specific.