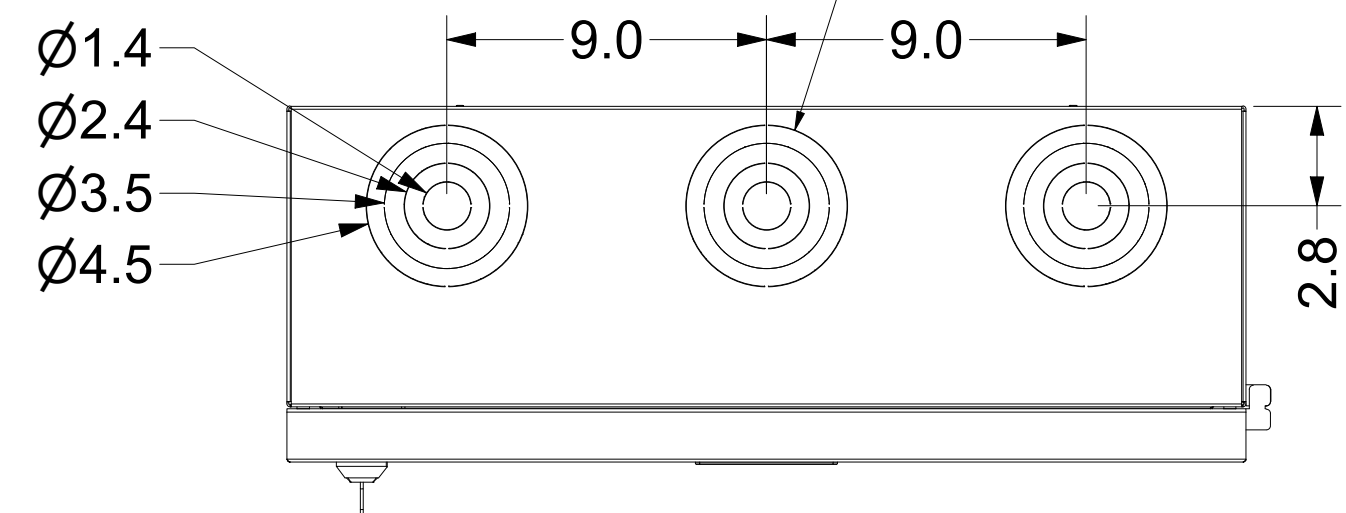
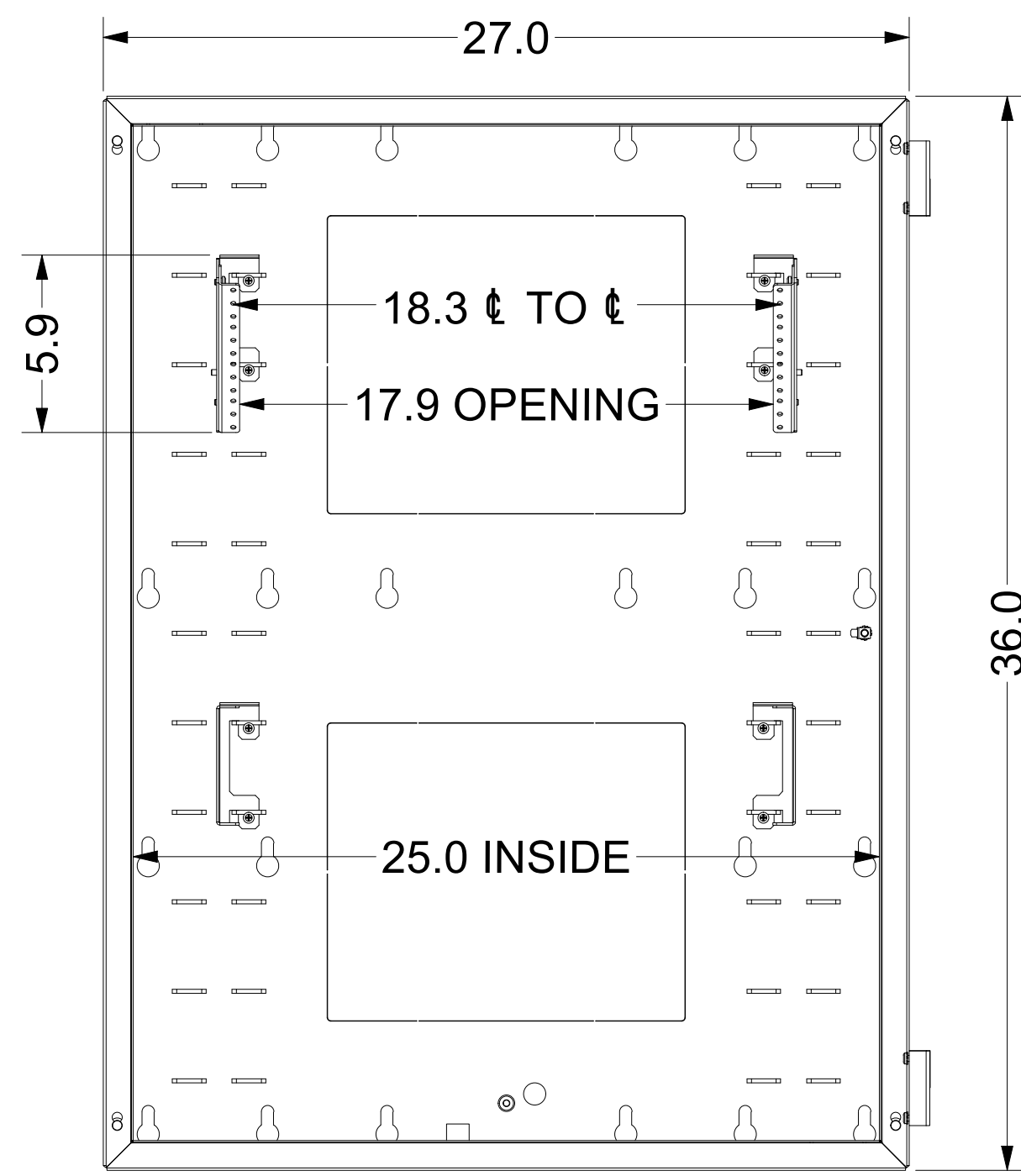


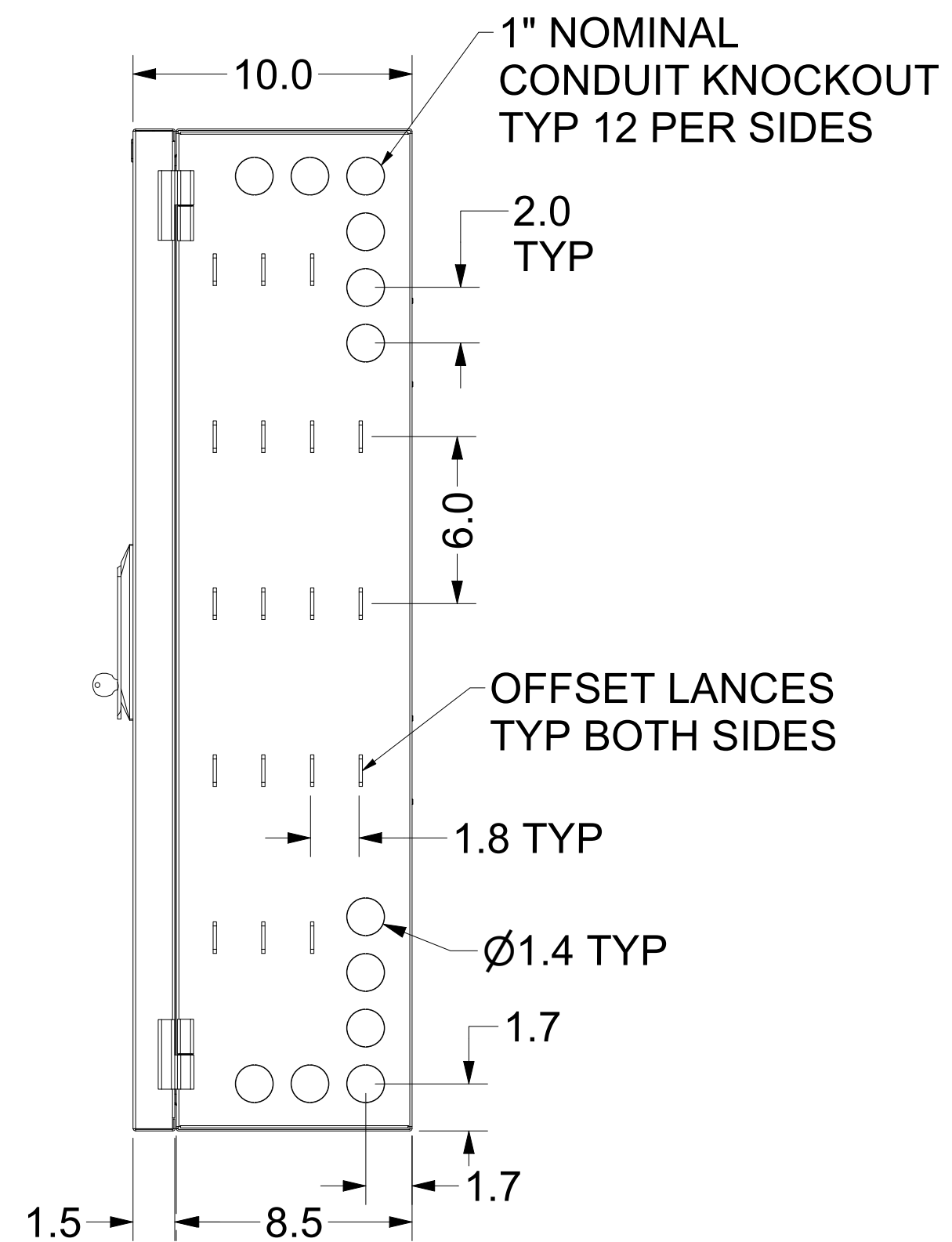
1", 2", 3" AND 4" NOMINAL CONCENTRIC CONDUIT KNOCKOUT TYP 3 ON TOP



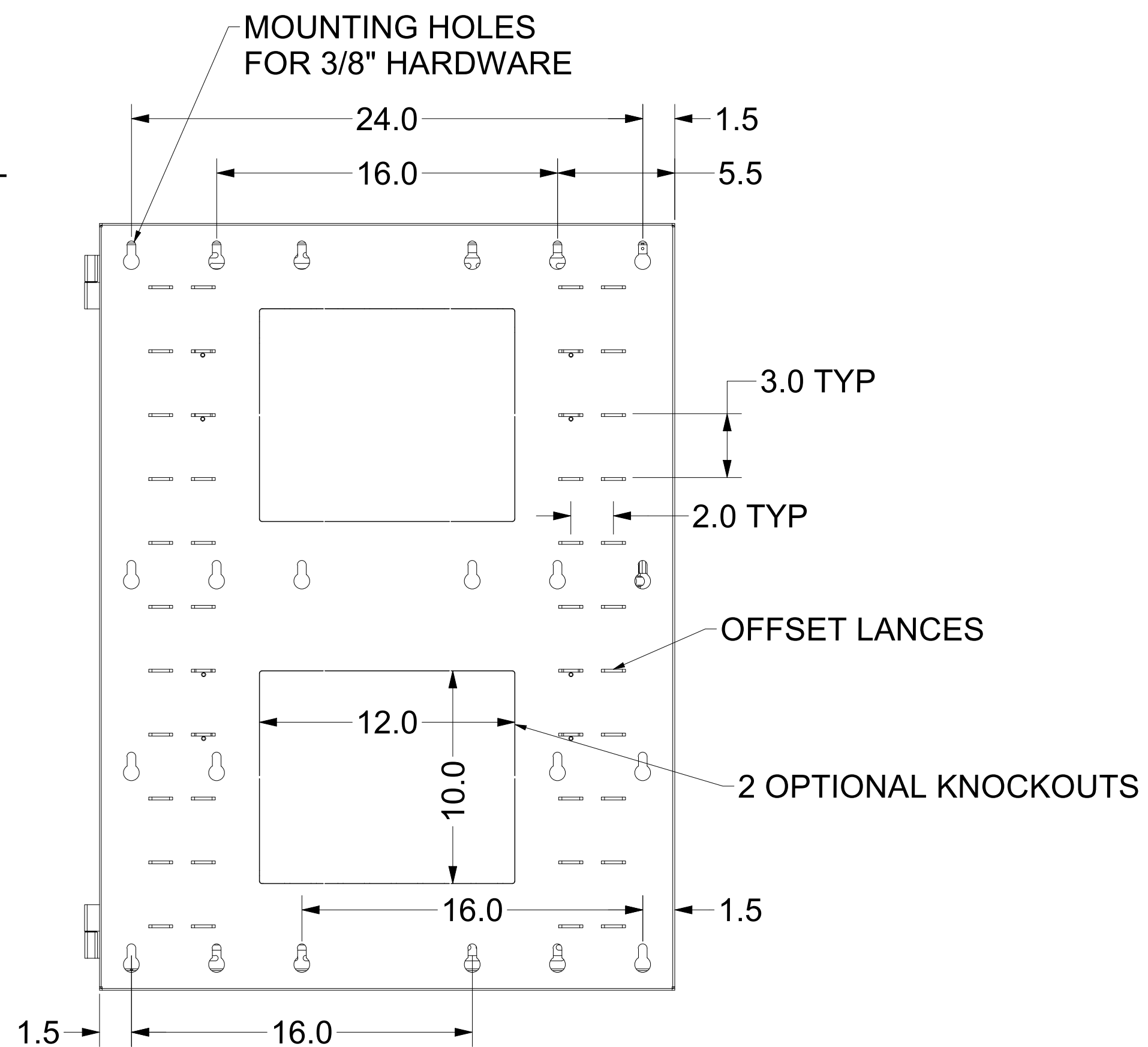
TOP VIEW



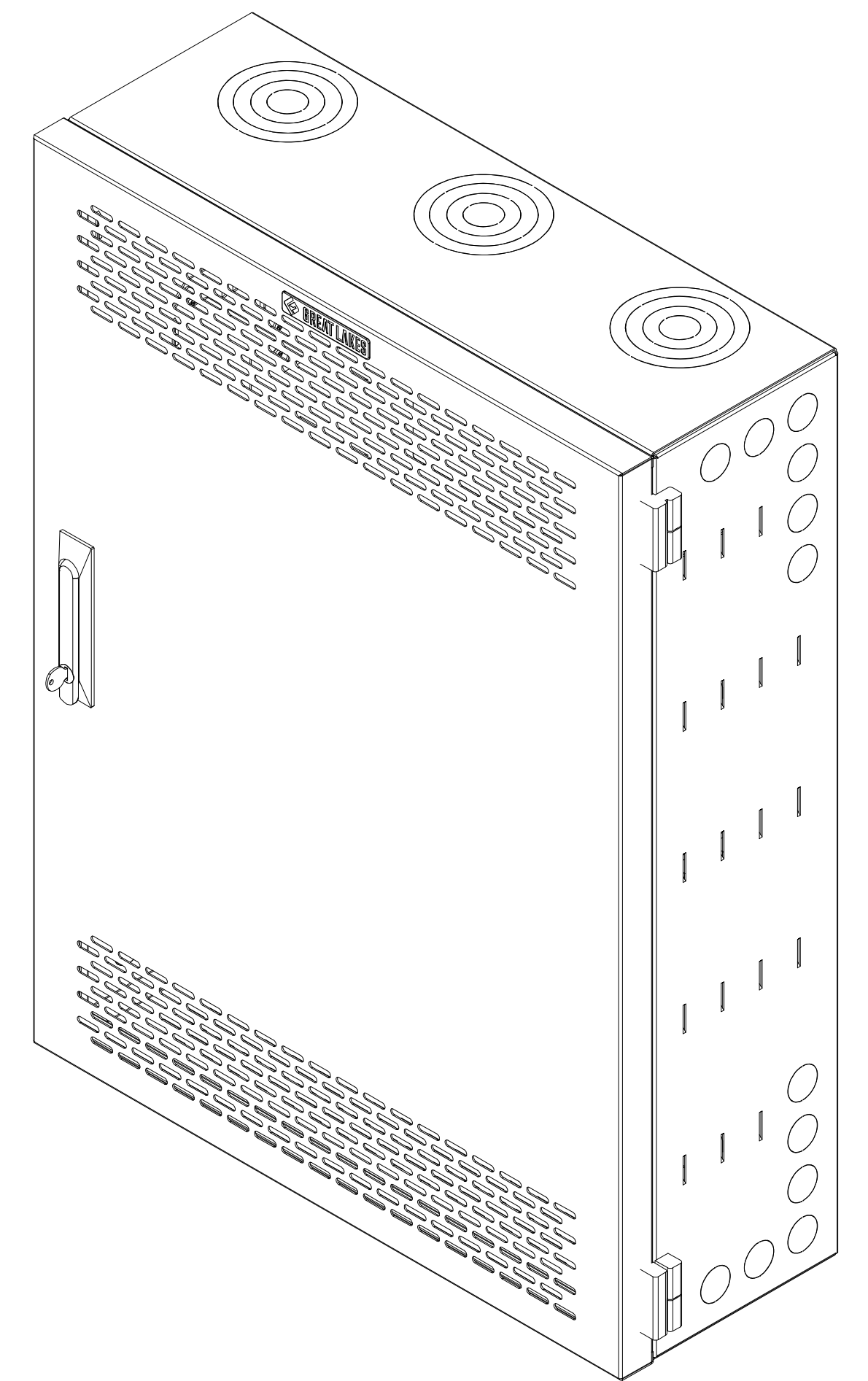
FRONT VIEW  
DOOR NOT SHOWN



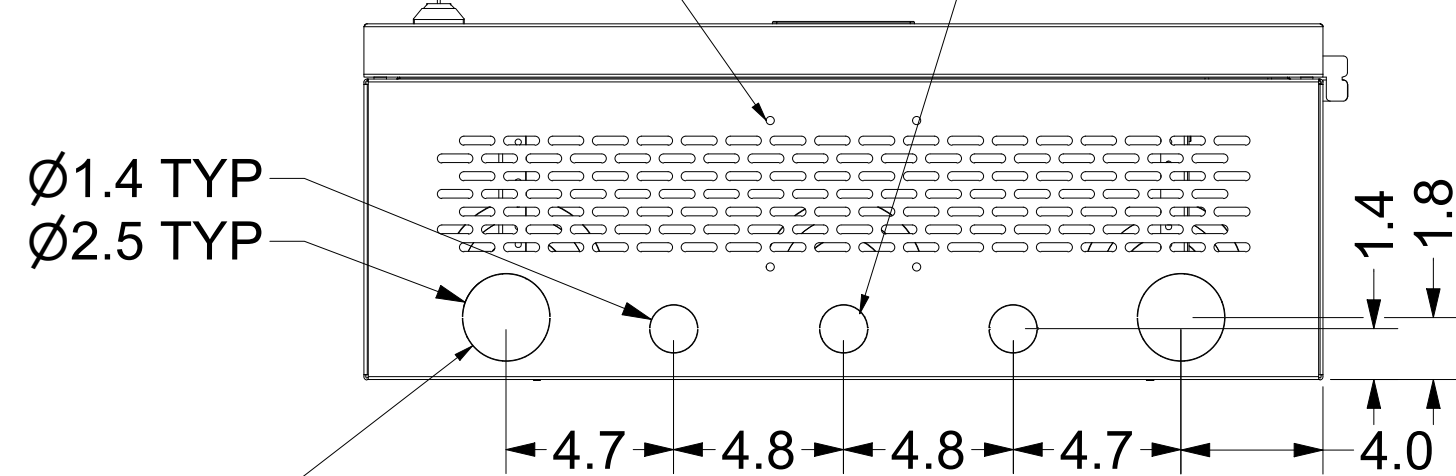
RIGHT SIDE VIEW



BACK VIEW



(1) FAN PROVISION  
1" NOMINAL CONDUIT KNOCKOUT TYP 3 ON BOTTOM



BOTTOM VIEW

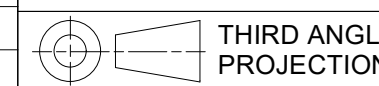
2" NOMINAL CONDUIT KNOCKOUT TYP 2 ON BOTTOM

**NOTES:**  
N1 4-DIGIT COMBINATION HANDLE, CH-06  
N2 ELECTRONIC HANDLE, GL-SEAL-TL3RF

USABLE DEPTH 'A' - 27.5"; CONSIDERS ENCLOSURE USED WITH 4 RU TILT OUT BRACKETS  
USABLE DEPTH 'B' - 33.5"; CONSIDERS ENCLOSURE USED WITH ONLY 1 SET OF STAGGER RAIL BRACKETS

PART NUMBER					
PART NUMBER	COLOR	HANDLE	FANS	USABLE DEPTH A	USABLE DEPTH B
GL36WLP-B-SC-00	BLACK	SEAL COMBO (N1)	OPTIONAL	27.5"	33.5"
GL36WLP-B-SC-AF	BLACK	SEAL COMBO (N1)	ONE 75 CFM FAN INCLUDED	27.5"	33.5"
GL36WLP-B-SE-00	BLACK	SEAL ELECTRONIC (N2)	OPTIONAL	27.5"	33.5"
GL36WLP-B-SE-AF	BLACK	SEAL ELECTRONIC (N2)	ONE 75 CFM FAN INCLUDED	27.5"	33.5"
GL36WLP-B-SH-00	BLACK	SWINGHANDLE	OPTIONAL	27.5"	33.5"
GL36WLP-B-SH-AF	BLACK	SWINGHANDLE	ONE 75 CFM FAN INCLUDED	27.5"	33.5"

EST. WEIGHT :  
N/A



INTERPRET DRAWING PER ASME Y14.5M-1994  
DIMENSIONAL LIMITS APPLY AFTER APPLICATION OF FINISH  
DRAWING NOT TO SCALE  
TOLERANCE UNLESS OTHERWISE NOTED:  
ANGULAR +/- 1'  
.XXXX +/- .010  
.XXX +/- .015  
.XX +/- .030  
.X FOR REF. ONLY  
UNLESS OTHERWISE SPECIFIED ALL DIMENSIONS ARE IN INCHES

**NOTICE:**

Use of this document is subject to a confidentiality and nondisclosure agreement with Great Lakes Case & Cabinet Co., Inc. (GLCC) and may not be reproduced, disclosed or utilized in whole or in part without prior written authorization from GLCC.

PART NUMBER: GL36WLP-B-XX-XX	TITLE: <b>36"H WLP SERIES WALL MOUNT</b>
MATERIAL TYPE:	GREAT LAKES DATA RACKS & CABINETS P.O. BOX 551 EDINBORO, PA 16412 PHONE (814) 734-7303 FAX (814) 734-3907 E-MAIL glcc@greatcabinets.com
MATERIAL GAUGE:	
FINISH:	DWG NO: <b>I-3503</b>
DRAWN DATE: 9/2/2015	REV: <b>0</b>
CHECKED & APP. DATE:	SHEET: 1 OF 2

**WLP WALL MOUNT SPECIFICATIONS**

**RACK SPACES:** 19"EIA 310-E COMPLIANT - ONE PAIR OF (4) RMU TILT BRACKETS AND ONE PAIR OF (6) RMU STAGGER BRACKETS INCLUDED

**COLOR:** DURABLE BLACK TEXTURED POWDER COAT

**CONSTRUCTION:** FULLY WELDED #16 GA CRS  
#16 GA CRS DOOR

**WEIGHT CAPACITY:** 105 LBS.

**CERTIFICATION:** UL2416 STANDARD FOR IT AND COMMUNICATIONS EQ., ENCLOSURES.

**HARDWARE:** PACKAGE OF (QTY 30) #12-24 SCREWS, INCLUDED

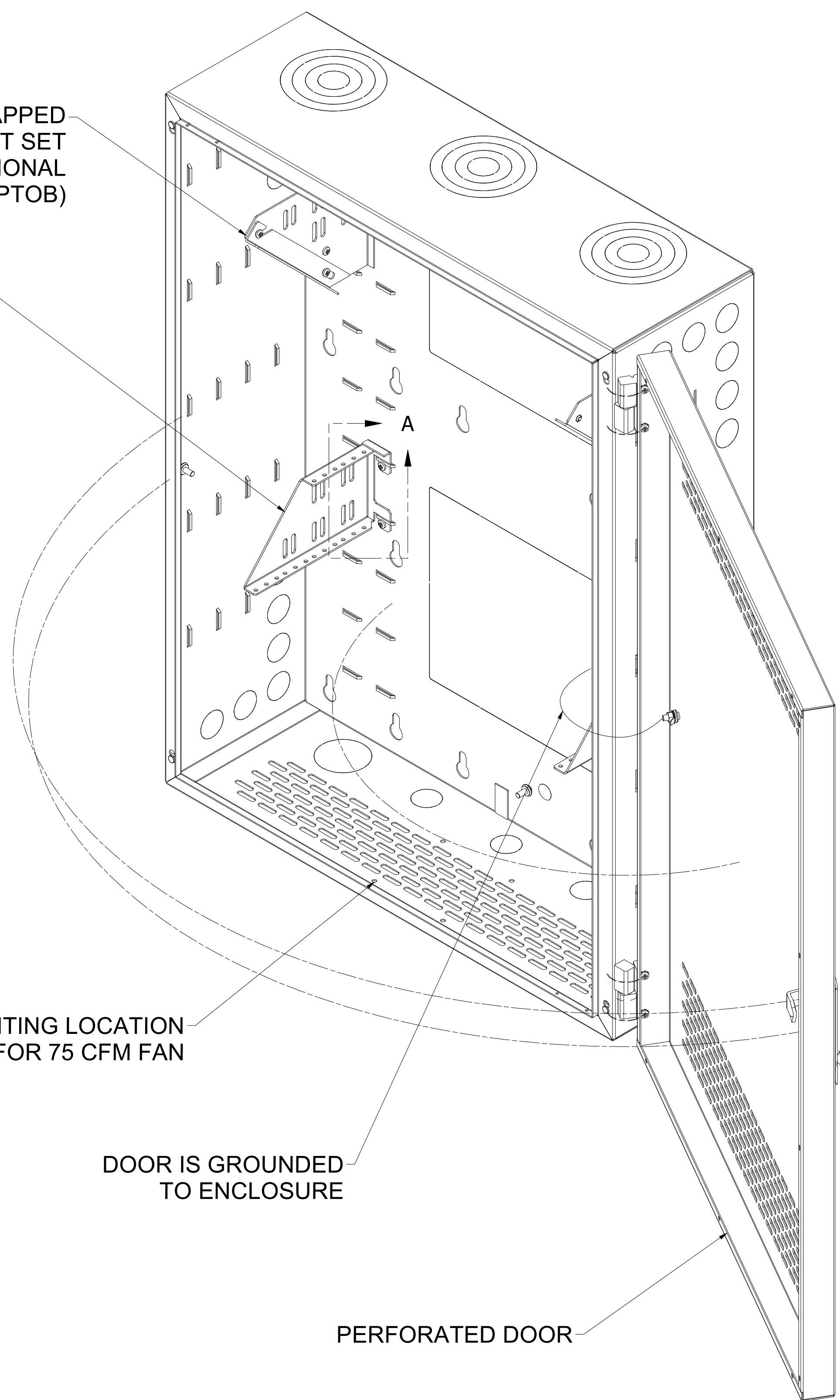
8 7 6 5 4 3 2 1

D

D

(4 RMU) #12-24 UNC TAPPED  
TILT-OUT BRACKET SET  
INCLUDED; ADDITIONAL  
SET OF BRACKETS (WLPTOB)

(2 & 4 RMU) #12-24 UNC TAPPED  
STAGGER BRACKET SET  
INCLUDED; ADDITIONAL  
SET OF BRACKETS (WLPSB)

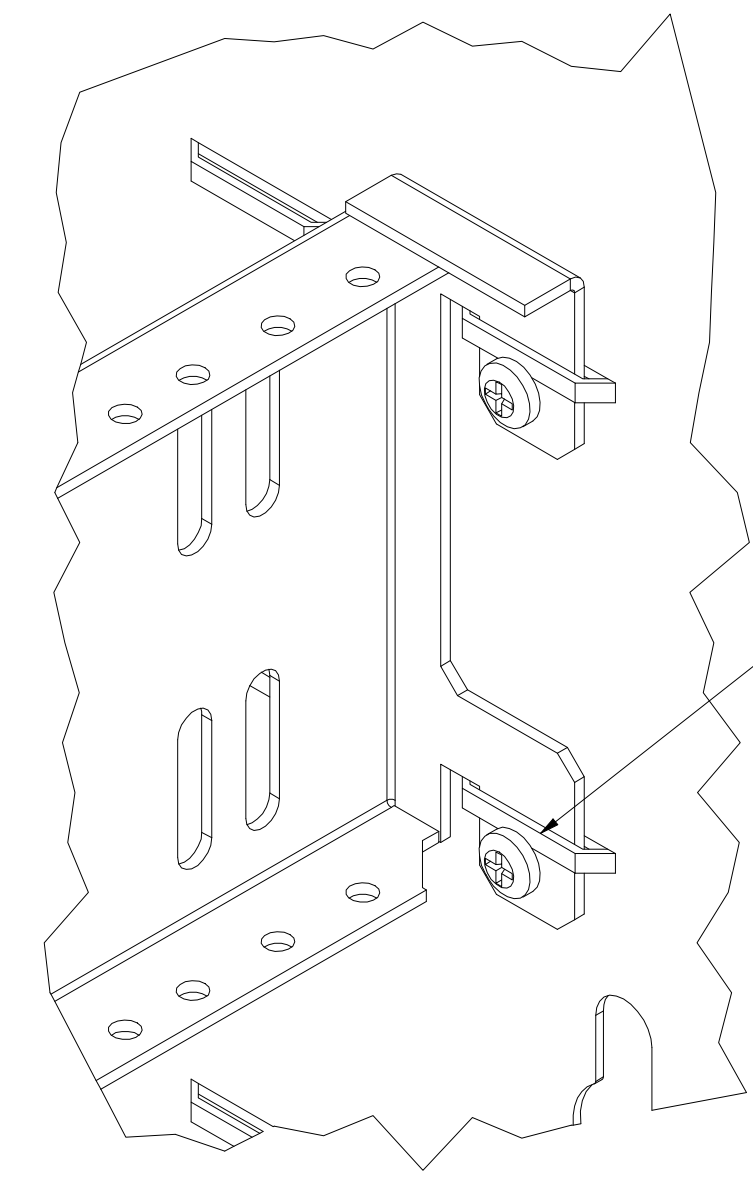


MOUNTING LOCATION  
FOR 75 CFM FAN

DOOR IS GROUNDED  
TO ENCLOSURE

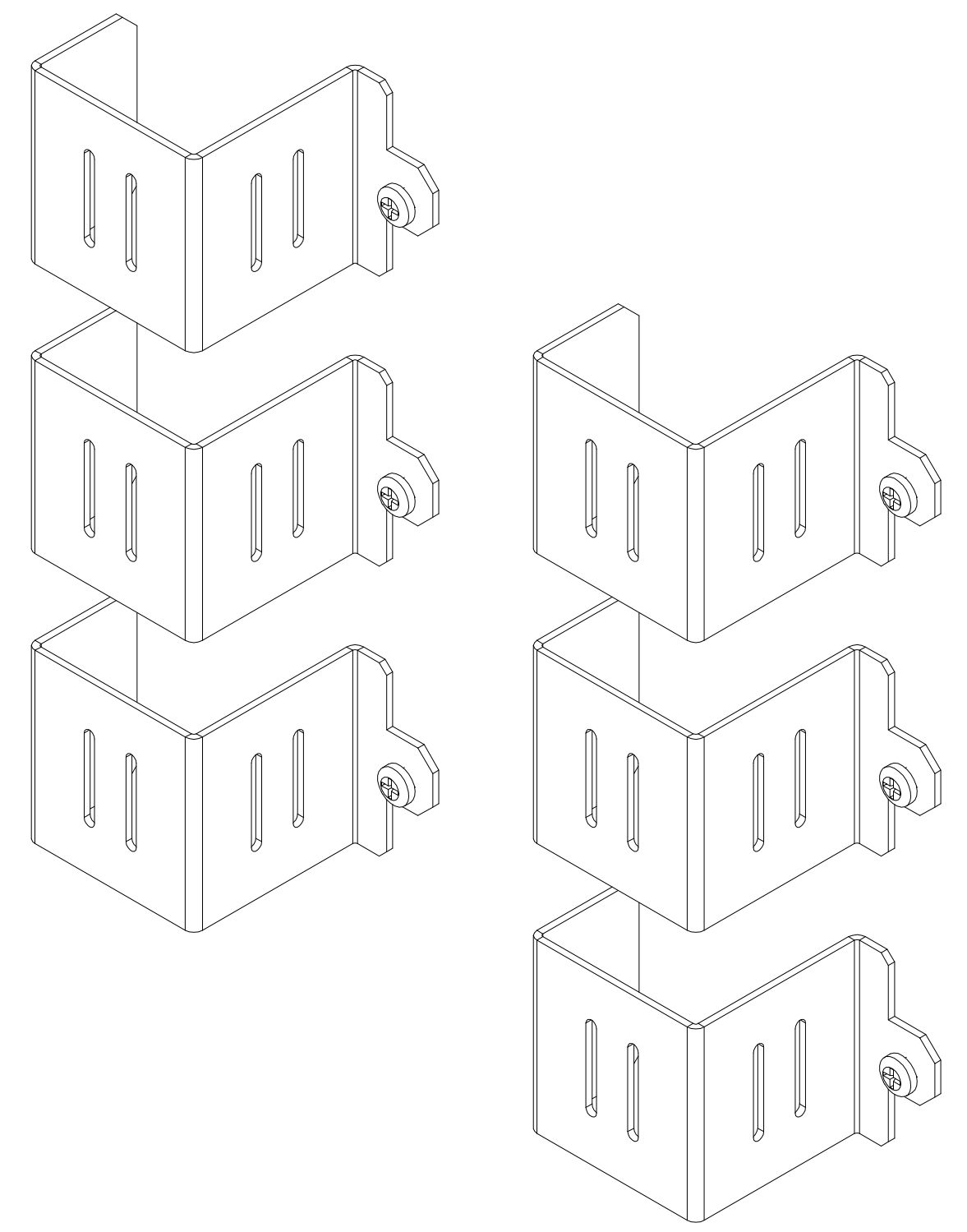
PERFORATED DOOR

SWING HANDLE PRE-CUT;  
25mm x 150mm HANDLE CUTOUT  
ACCEPTS ALTERNATIVE HANDLES  
(SEE CHART)



DETAIL A

COMPONENT HOOKS SLIDE  
INTO OFFSET LANCES ON THE  
REAR OF THE ENCLOSURE  
AND ARE RETAINED IN  
POSITION BY SCREWS  
(FIELD ADJUSTABLE)



**ADDITIONAL WLP ACCESSORIES  
AVAILABLE, VISIT GREATCABINETS.COM**

C

C

B

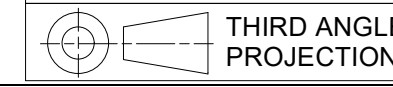
B

A

A

8 7 6 5 4 3 2 1

EST. WEIGHT :  
N/A



INTERPRET DRAWING PER ASME Y14.5M-1994  
DIMENSIONAL LIMITS APPLY  
AFTER APPLICATION OF FINISH  
DRAWING NOT TO SCALE  
TOLERANCE UNLESS OTHERWISE NOTED:  
ANGULAR +/- 1°  
.XXXX +/- .010  
.XXX +/- .015  
.XX +/- .030  
.X FOR REF. ONLY  
UNLESS OTHERWISE SPECIFIED  
ALL DIMENSIONS ARE IN INCHES

**NOTICE:**  
Use of this document is subject to  
a confidentiality and nondisclosure  
agreement with Great Lakes Case  
& Cabinet Co., Inc. (GLCC) and may  
not be reproduced, disclosed or  
utilized in whole or in part without  
prior written authorization from GLCC.

PART NUMBER:  
**GL36WLP-B-XX-XX**  
MATERIAL TYPE:  
MATERIAL GAUGE:  
FINISH:  
DRAWN DATE  
TAD 5/15/2015  
CHECKED & APP. DATE

TITLE  
**36" H WLP SERIES WALL MOUNT**  
GREAT LAKES DATA RACKS & CABINETS  
P.O. BOX 551 EDINBORO, PA 16412  
PHONE (814) 734-7303 FAX (814) 734-3907  
E-MAIL glcc@greatcabinets.com  
DWG NO:  
**I-3503**  
REV  
**0**  
SHEET: 2 OF 2