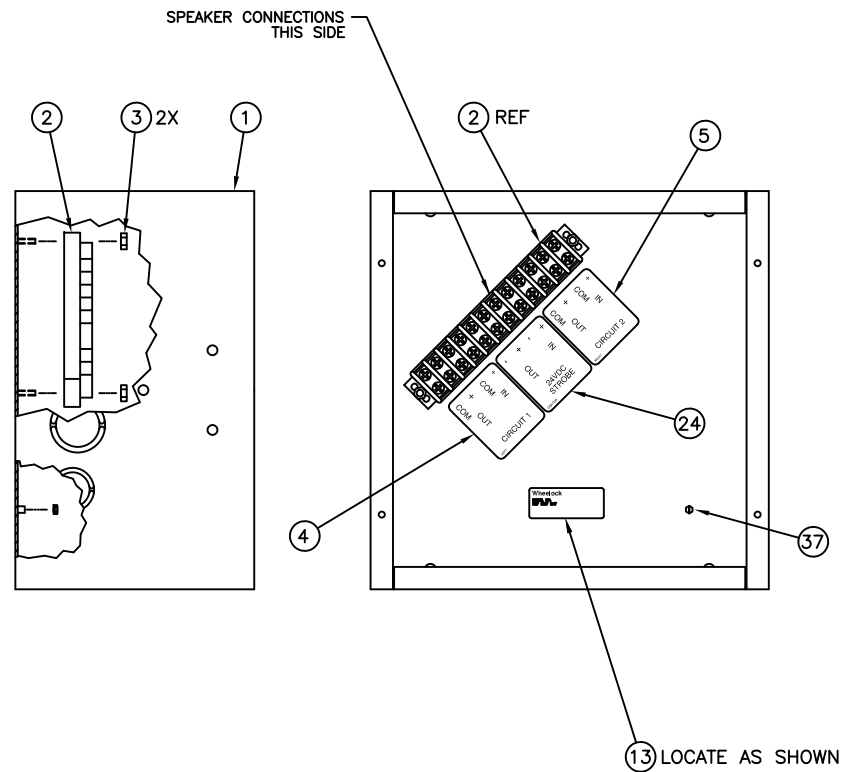
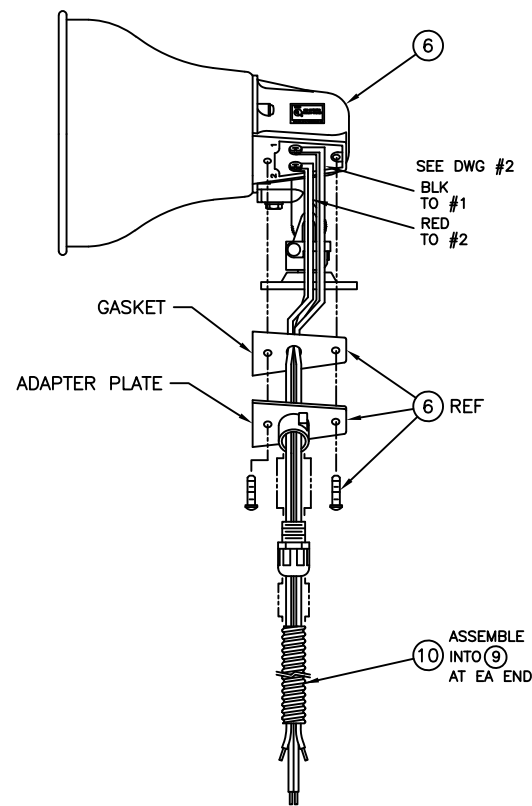


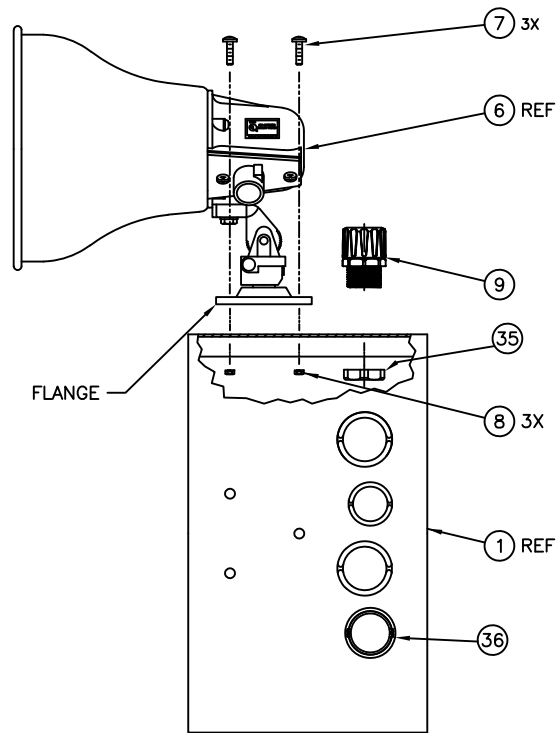
**TERMINAL ASSEMBLY**



**SPEAKER ASSEMBLY**

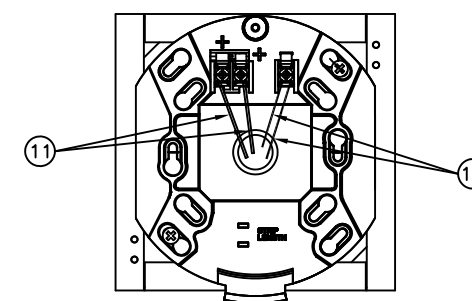


**SPEAKER/ENCLOSURE ASSEMBLY**  
(X # OF SPKRS REQD)

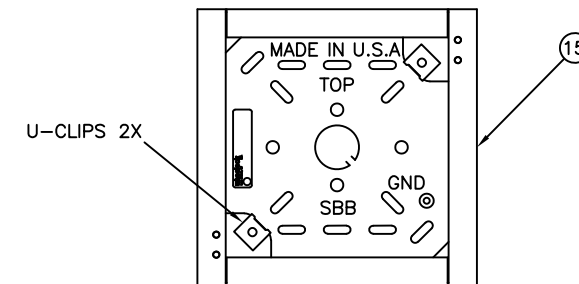


REVISIONS	
	SEE SHEET 1.

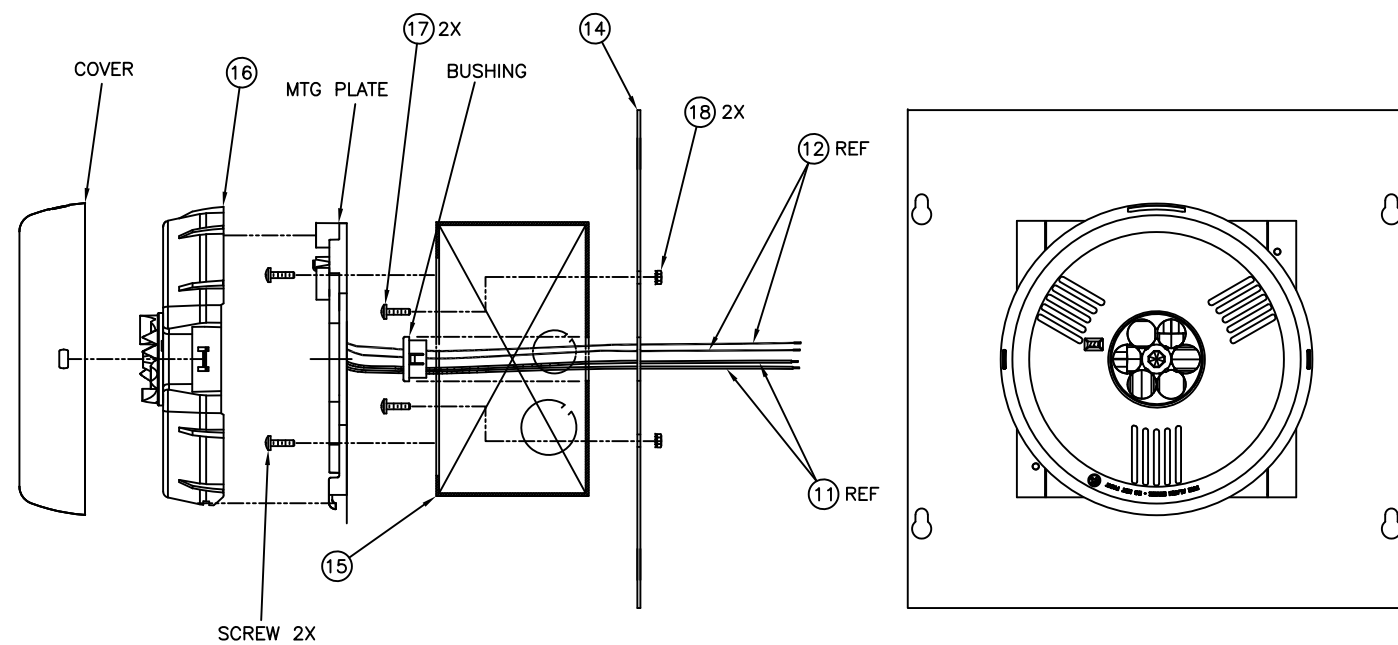
**STROBE WIRING ASSEMBLY**



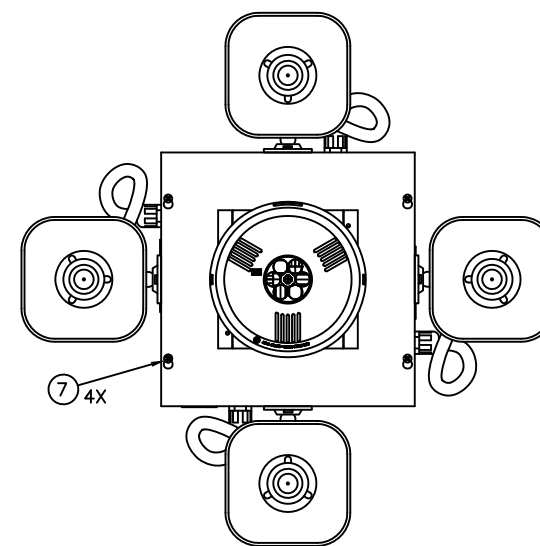
**BACKBOX ASSEMBLY**



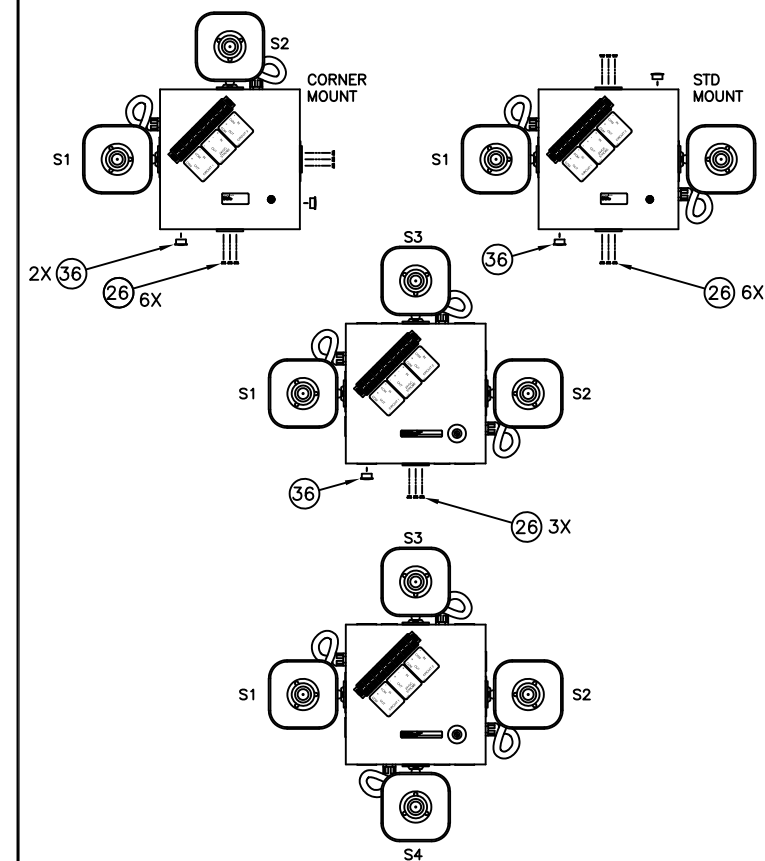
**FLUXA ELSTC/ENCLOSURE COVER ASSEMBLY**



**COVER/BASE ASSEMBLY**



**SPEAKER LOCATION RELATIVE TO ENCLOSURE**  
(BASED ON # OF SPKRS REQD IN ASSY;  
BEFORE COVER ATTACHMENT.)



NOTE:  
1. SEE DRAWING #2 FOR WIRING DIAGRAM

UNLESS OTHERWISE SPECIFIED - TOLERANCES: (UNITS: INCHES) .XX ±.01 .XXX ±.005 SCALE: NONE	ANGLES ±1/2°	ORIG. BY: CP 9/7/05 CHK'D BY: JM 9/16/05 ENG'R JK 9/19/05 MFG. EC 9/19/05	NOTICE RELEASED TO PRODUCTION DATE: 9/19/05 REV. M AUTOCAD FILE NAME: ASSY\A8429DWG3BC	THE INFORMATION CONTAINED HEREIN IS CONFIDENTIAL AND PROPRIETARY AND MAY NOT BE DISCLOSED OR USED IN ANY WAY WITHOUT THE EXPRESSED WRITTEN PERMISSION OF COOPER WHELLOCK INC. COPYRIGHT 2024. COOPER WHELLOCK INC. ALL RIGHTS RESERVED.	COOPER Wheelock SERIES STH/ELSTC CLUSTER SPEAKER ASSEMBLY DWG. NO. A8429-ITEM REV. BC
---	--------------	--	--	---	--