

## Rack Automatic Transfer Switch AP4450AJ

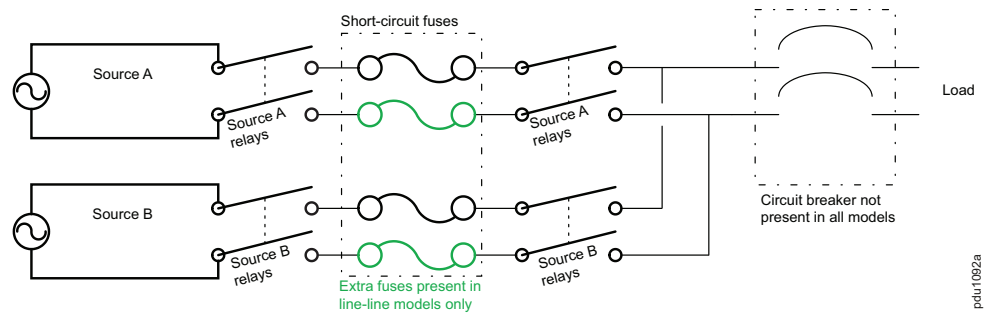


### Overview

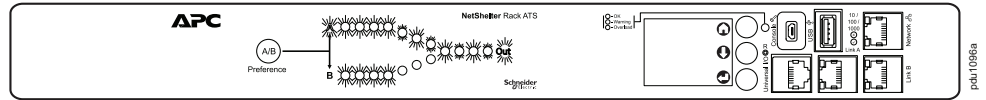
The APC Rack Automatic Transfer Switch (ATS) provides reliable, redundant power to single-corded equipment loads, such as servers. The Rack ATS has two input power cords supplying power to the connected loads. If the primary source becomes unavailable or goes out of the selected range, the Rack ATS will seamlessly source power from the secondary source without interrupting critical loads.

The Rack ATS has built-in network connectivity, which allows for remote management via Web, SNMP, SSH or Data Center Expert® interfaces.

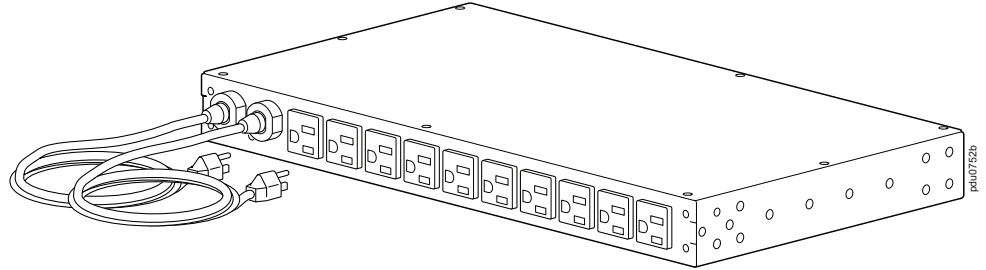
### ATS Schematic



## Front



## Rear



**Input power cords:** Two (2) cords connect the Rack ATS to two separate power sources (A and B). The Rack ATS draws power from the preferred source and automatically switches to the secondary source when necessary. The two (2) 2.44-m (8-ft) power cords have NEMA 5-15P plugs.

**Outlets:** The outlets connect the Rack ATS to equipment in the rack or enclosure, providing a redundant source of power to the connected equipment. Each Rack ATS has ten (10) 5-15R outlets.

# Specifications

<b>Electrical</b>	
Nominal input voltage	100 VAC
Acceptable input voltage	±10% of nominal
Input frequency	50/60 Hz
Input connectors	Two (2) 2.44-m (8-ft) NEMA 5-15P power cords
Output connectors	Ten (10) 5-15R outlets
Maximum output current (outlet)	15 A (PSE)
Maximum output/input current	15 A (PSE)
Overload protection	
Internal	Not provided with unit
External (recommended)	15 A facility provided
Transfer time	10 ms maximum (high sensitivity, 50–60 Hz) 12 ms maximum (low sensitivity, 50–60 Hz)
Short circuit current rating	10 kA
<b>Physical</b>	
Dimensions (H x W x D)	43.7 x 431.8 x 236.2 mm (1.72 x 17.00 x 9.30 in)
Shipping dimensions (H x W x D)	114.3 x 600.2 x 355.6 mm (4.50 x 23.63 x 14.00 in)
Weight	4.40 kg (9.70 lb)
Shipping weight	6.17 kg (13.60 lb)
<b>Environmental</b>	
Maximum elevation (above MSL)	
Operating	0 to 3 000 m (0 to 10,000 ft)
Storage	0 to 15 000 m (0 to 50,000 ft)
Temperature	
Operating	–5 to 45 °C (23 to 113 °F)
Storage	–25 to 65 °C (–13 to 149 °F)
Humidity	
Operating	5 to 95%, non-condensing
Storage	5 to 95%, non-condensing
<b>Compliance</b>	
EMC	J55022 (H22)
Safety	PSE - UL/EN/IEC 62368-1