

ITEM NO.	DESCRIPTION	QTY.	CATALOG NUMBER	DESCRIPTION
1	COMPRESSION LUG	25	HGBL20SA	2/0 COPPER COMPRESSION LUG

CONDUCTOR	BOLT SIZE	FIG. NO.	DIMENSIONS										DIE INDEX	COLDR CODE	MECHANICAL		HYDRAULIC		DIELESS (# CRIMPS)	WIRE STRIP LENGTH
			B	C	H	K DIA	L	N	D.D.	T REF.	Z MIN.	HMPC840			HOUR840	HPAT600	HY750 HPAT750	HU26RT (2) HUE2RTW (1)		
2/0 AWG [70mm 2 STR]	3/8 [M10]	1	1.50 [38]	.83 [21]	REF.	.40 [10]	2.75 [70]	.41 [10]	.56 [14]	.12 [3]	.42 [11]	13	BLACK	13 (4)	H26RT (4)	HPAT600	HY750 HPAT750	HU26RT (2) HUE2RTW (1)	HMY2911 (1)	1-9/16

- NOTES:
- NAVY CABLE SIZE MAY BE OMITTED ON SOME SIZES BECAUSE OF SPACE LIMITATIONS.
  - SPECIFICATIONS SUBJECT TO CHANGE WITHOUT NOTICE.

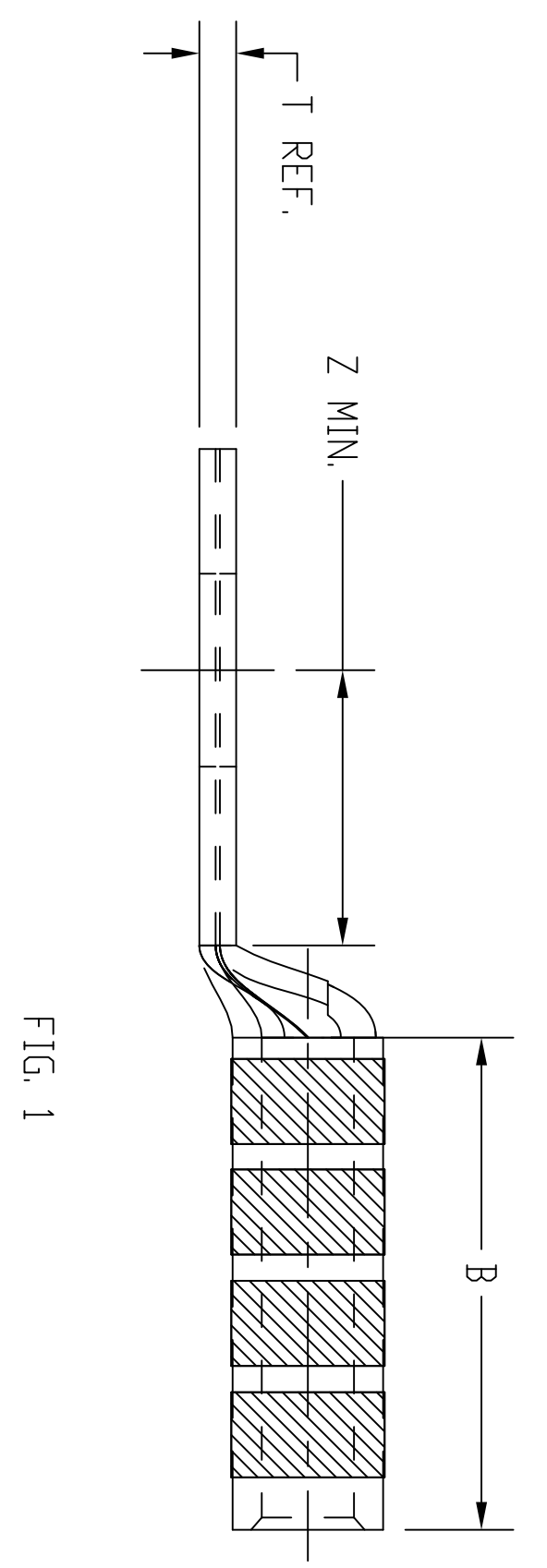
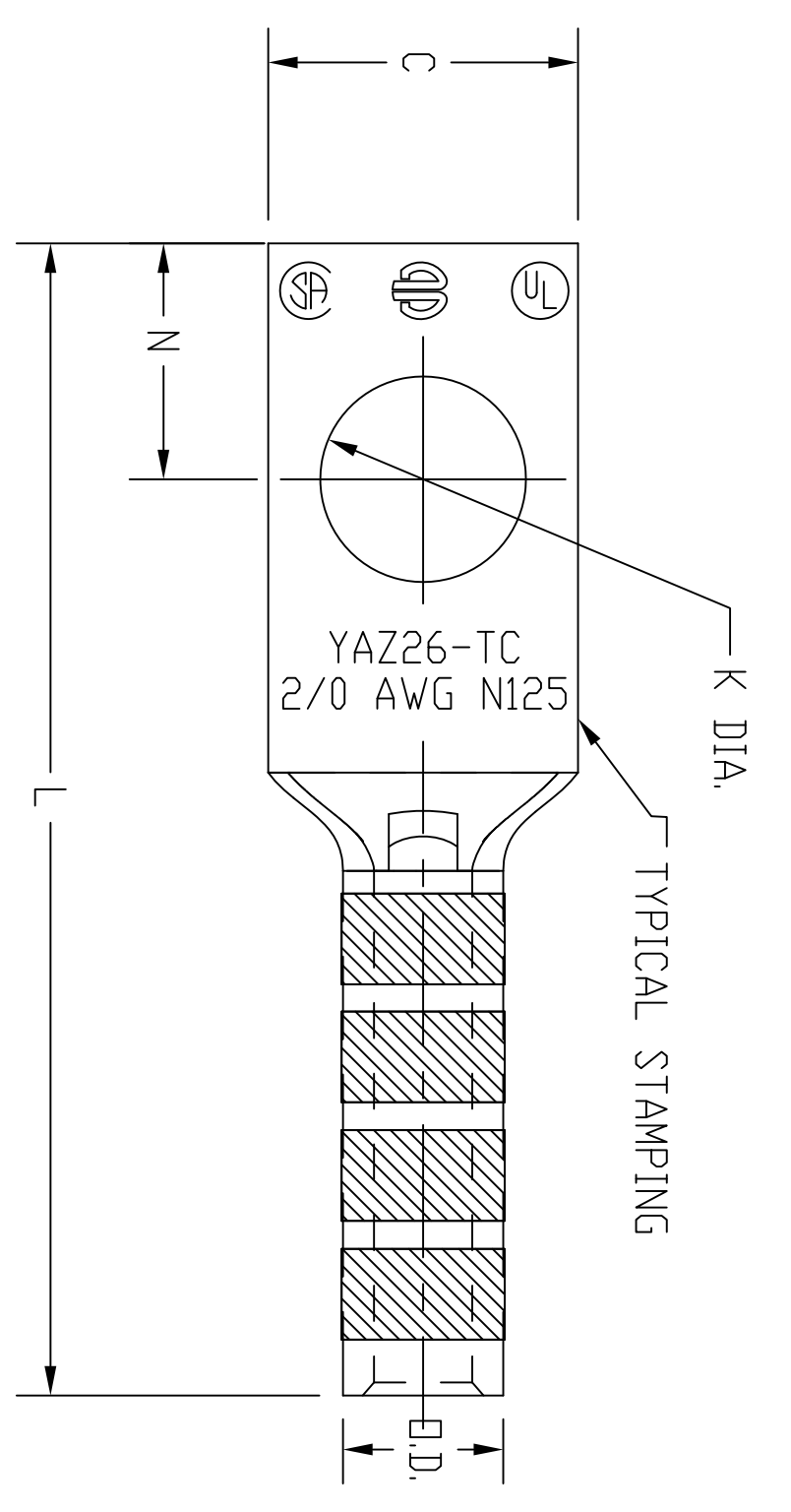


FIG. 1

REV.	ECN	DATE	DESCRIPTION	CHG BY	APPD BY
1	17862	4/18/12	INITIAL RELEASE	CG	

Created on AUTOCAD

DIMENSIONING AND TOLERANCE PER  
ANSI Y14.5M-1982  
UNLESS OTHERWISE SPECIFIED,  
DIMENSIONS ARE IN INCHES (MM).  
TOLERANCES  
XX = ±.01 (XX)  
XXX = ±.005 (XXX)  
ANGLE TO .1°

PROJECT REFERENCE:  
2011-041

MATERIAL:  
TIN PLATED COPPER

DRAWN BY:  
C. GRIBBLE 4/18/12

CHECKED BY:

APPROVED BY:

HUBBELL  
Hubbell Premise Wiring  
HUBBELL INCORPORATED (Delaware)  
14 Lord's Hill Road, Stonington, Connecticut 06378

TITLE:  
2/0 COPPER COMPRESSION LUG, LONG BARRELL  
SINGLE HOLE, 0.375" HOLE SIZE

SIZE DRAWING NO.  
D HWS777077C

SCALE: 1/1

SHEET 1 OF 1

REV. 1