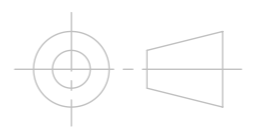
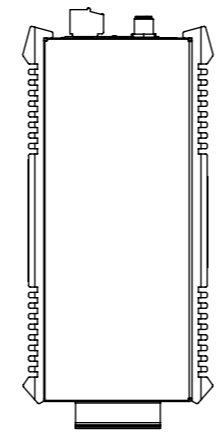
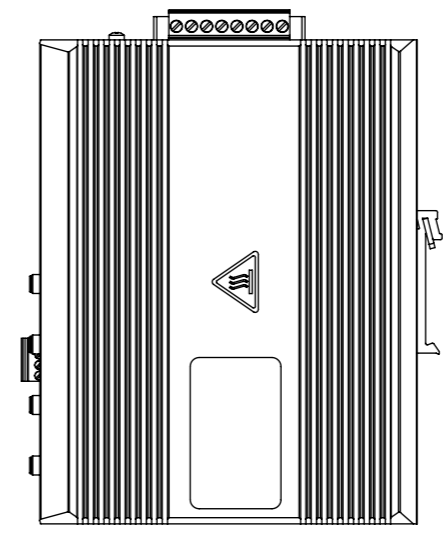
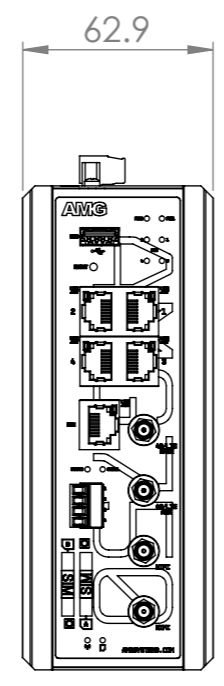
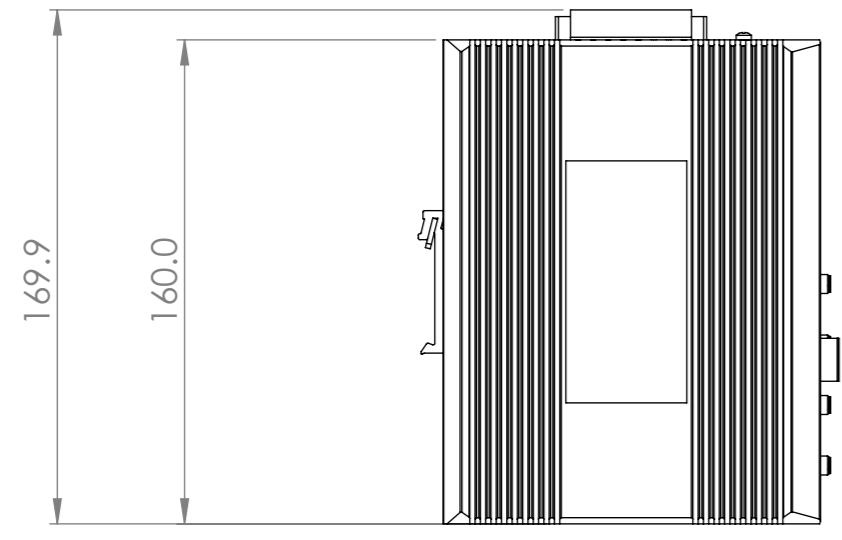
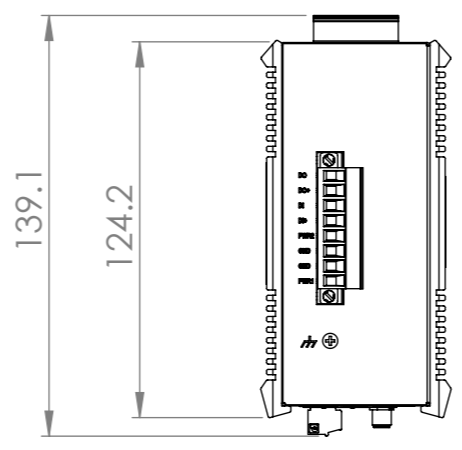


REVISION	DRN BY	DRN DATE	CHK BY	CHK DATE	CHANGE DESCRIPTION
01	AL	11/09/20	-	-	Initial drawing
-	-	-	-	-	-
-	-	-	-	-	-



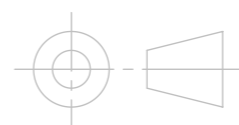
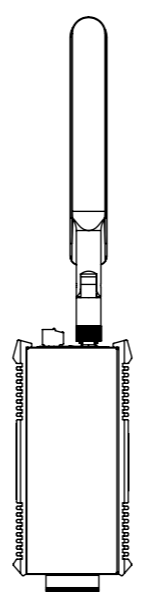
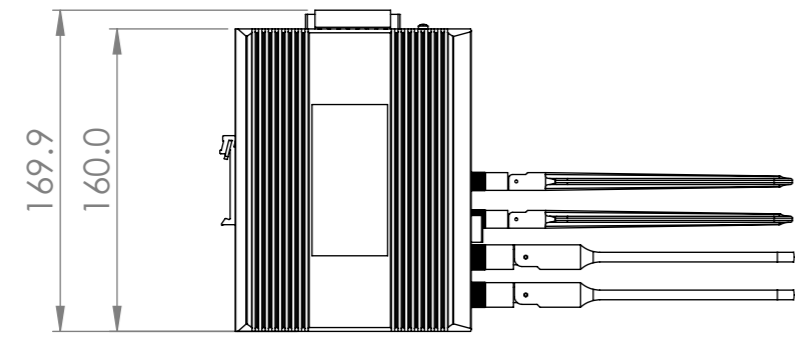
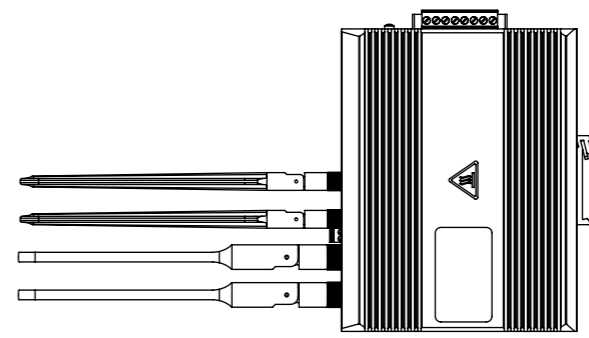
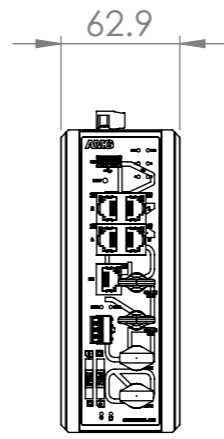
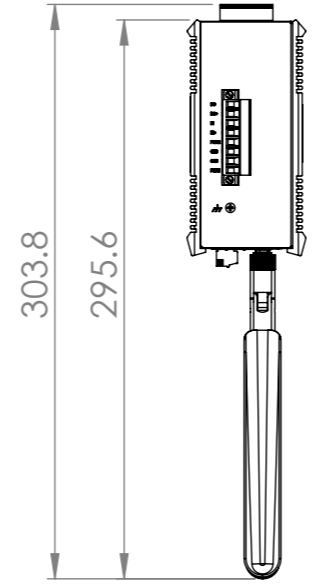
DEBURR AND BREAK SHARP EDGES
DO NOT SCALE DRAWING

UNLESS OTHERWISE SPECIFIED:
DIMENSIONS ARE IN MILLIMETERS
TOLERANCES:
LINEAR: +/- 0.1
ANGULAR: +/- 0.5



DWG NO. NA		REVISION 01	
TITLE: AMG750 Dimensional Drawing		A3	
FINISH: NA	MATERIAL: NA	Document is property of AMG Systems Ltd and must not be shared, copied or printed without prior consent.	
SCALE: 1:2.5		SHEET 1 OF 3	

REVISION	DRN BY	DRN DATE	CHK BY	CHK DATE	CHANGE DESCRIPTION
01	AL	11/09/20	-	-	Initial drawing
-	-	-	-	-	-
-	-	-	-	-	-



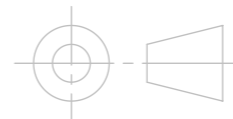
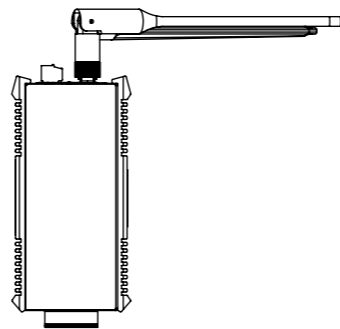
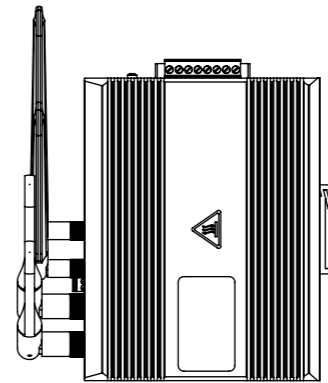
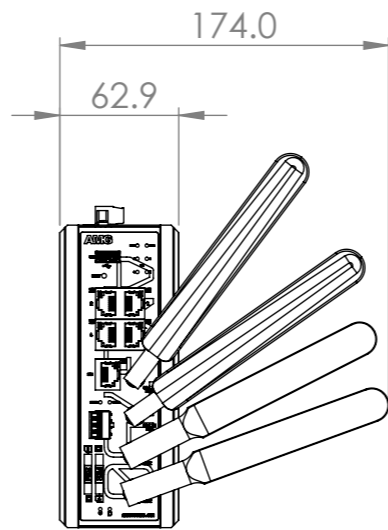
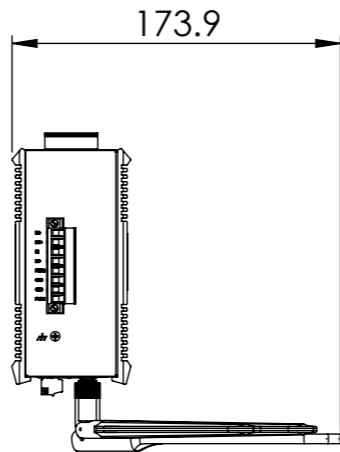
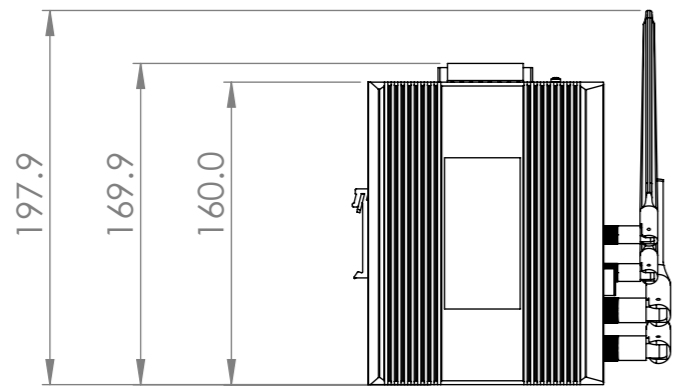
DEBURR AND BREAK SHARP EDGES
DO NOT SCALE DRAWING

UNLESS OTHERWISE SPECIFIED:
DIMENSIONS ARE IN MILLIMETERS
TOLERANCES:
LINEAR: +/- 0.1
ANGULAR: +/- 0.5



DWG NO. NA		TITLE: AMG750 Dimensional Drawing	
FINISH: NA	REVISION 01		
MATERIAL: NA	A3		
Document is property of AMG Systems Ltd and must not be shared, copied or printed without prior consent.		SCALE:1:4	SHEET 2 OF 3

REVISION	DRN BY	DRN DATE	CHK BY	CHK DATE	CHANGE DESCRIPTION
01	AL	11/09/20	-	-	Initial drawing
-	-	-	-	-	-
-	-	-	-	-	-



DEBURR AND BREAK SHARP EDGES
DO NOT SCALE DRAWING

UNLESS OTHERWISE SPECIFIED:
DIMENSIONS ARE IN MILLIMETERS
TOLERANCES:
LINEAR: +/- 0.1
ANGULAR: +/- 0.5



DWG NO. NA		TITLE: AMG750 Dimensional Drawing	
FINISH: NA	REVISION 01		A3
MATERIAL: NA	Document is property of AMG Systems Ltd and must not be shared, copied or printed without prior consent.		SHEET 3 OF 3
SCALE: 1:4			