

STI G3 MULTIPURPOSE PUSH BUTTON



PRODUCT OVERVIEW

The G3 multipurpose push button is a versatile signaling device designed to meet the diverse needs of various applications. This innovative button features an optional camera and a unique design. The camera is designed to capture video of an individual interacting with the button, as well as their movements before and after activating the unit. Operation types include Key-to-Reset, Momentary and Turn-to-Reset, allowing flexibility for any application. If needed, the button type can be reconfigured to suit application needs (a new button cap may be required to depict operational movement. See “Accessories” on page 2 for options). G3 choices include six shell colors, standard or custom wording (in any language), protective covers, and an IP camera for added identification.

HOW THEY WORK

Because of the push button’s superior design combined with quality construction throughout, you can expect outstanding performance for years to come. The push button is recessed within the durable polycarbonate housing to help protect against accidental activation and provide reliable performance even in challenging environments. The rugged polycarbonate design makes it an ideal choice for indoor use. The button with the IP camera option is for daylight and low-light use and helps identify who activated the station.

KEY FEATURES

General Information

- Operating modes: Key-to-Reset, Momentary and Turn-to-Reset. User-configurable (a new button cap may be required to depict operational movement. See “Accessories” on page 2 for options).
- Multipurpose push button.
- External dimensions 137mm H x 104mm W x 37mm D.
- Three year guarantee against breakage of polycarbonate in normal use (one year on electromechanical and electronic components).

Design

- Operating modes: Key-to-Reset, Momentary and Turn-to-Reset. User-configurable (a new button cap may be required to depict operational movement. See “Accessories” on page 2 for options).
- Button is recessed within a durable polycarbonate housing to help prevent false activation.
- Versatile mounting plate fits North American single-gang, double-gang and four-square electrical boxes, and European electrical box.
- Easily integrates into an existing setup without the need for complex adjustments or modifications.
- Simple reset after activation.
- Indoor rated.

Construction

- Durable polycarbonate with sleek, low-profile design.

Electronics

Push Button

- 1 DPDT (2 Form C) dry contact switch with NO/NC contacts, rated for 30 VAC/VDC at 5 A.

Camera

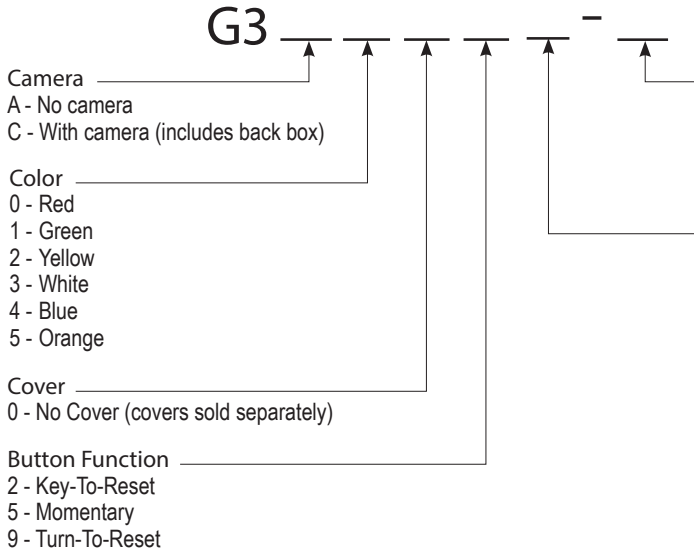
- IP camera option: up to 5 MP HD @ 30 frames per seconds, 180° field of view (diagonal).
- Power 12 VDC, 1.2A max PoE (802.3af,36-57V) - 0.2A max.
- H264/H265/H265+ compatible.
- ONVIF
- Camera Relay 24 VAC/DC, 2A with included wire harness.

Options

- Colors available: red, green, yellow, white, blue or orange.
- Standard or custom activation labeling.
- Flush or surface mount.
- Shield, cover and/or IP camera for additional security.

STI G3 Multipurpose Push Button

Dimensions and Technical Information

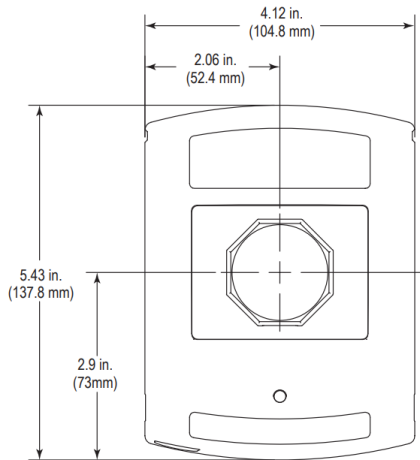


- Language
 EN - English
 ES - Spanish
 FR - French
 ZL - Custom
- Text
 AB = ABORT
 EM = EMERGENCY
 EX = EMERGENCY EXIT
 PO = EMERGENCY POWER OFF
 ES = EMERGENCY STOP
 EV = EVACUATION
 XT = EXIT
 PS = FUEL PUMP SHUT-DOWN
 HV = HVAC SHUT-DOWN
 LD = LOCKDOWN
 PL = POLICE
 PX = PUSH TO EXIT
 RM = Running Man Symbol
 NT = No Text
 ZA = Custom Text

- Accessories
 KIT-H18090 High-Security lock assembly with (2) keys
 KIT-G3A-BB Gray Back Box for G3 Series without Camera
 KIT-G3C-BB Gray Back Box for G3 Series with Camera

- Covers (optional)
 KIT-G3-2-EN G3 GF Shield Add-On Kit - English
 KIT-G3-2-ES G3 GF Shield Add-On Kit - Spanish
 KIT-G3-2-FR G3 GF Shield Add-On Kit - French
 STI-13010** Universal Stopper - Flush
 STI-13110** Universal Stopper - Surface
 STI-13020** Universal Stopper - Flush with Sounder
 STI-13120** Universal Stopper - Surface with Sounder
 STI-14010** Low Profile Universal Stopper - Flush
 STI-14110** Low Profile Universal Stopper - Surface

Contact sales team for options

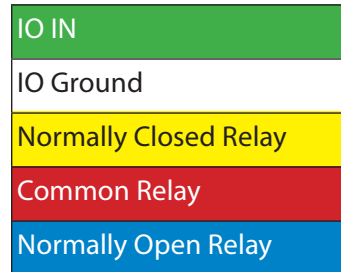


APPROVALS & WARRANTY

TESTING
 It has been tested and approved or listed by:
 · UL/cUL Listed No. S7255
 · Indoor use -10 to 49°C (14 to 120°F)
 · CE Approved

WARRANTY
 Three year guarantee against breakage of polycarbonate in normal use (one year on electromechanical and electronic components).

G3C CAMERA RELAY
 24VAC/DC, 2A
 5 PIN - Wire Harness Colors
 (included harness wiring)



CUSTOMIZE YOUR TEXT - text option ZA
 CUSTOM TEXT FOR TOP OF SHELL: 3 LINES, 13 CHARACTERS EACH (INCLUDES SPACES)

L1														
L2														
L3														

	2306 Airport Road Waterford, MI 48327, USA	info@sti-usa.com www.sti-global.com Tel: 248-673-9898	Taylor House 34 Sherwood Rd., Bromsgrove, Worcs., B60 3DR, England	info@sti-emea.com www.sti-global.com Tel: +44 (0) 1527 520 999	Unit 7A Lockheed Avenue Airport Business Park Waterford X91 HWF2 Ireland
	© 2025 Safety Technology International Subject to change without notice. 04/25				