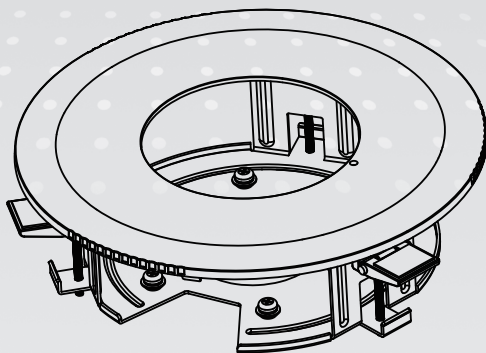


VIVOTEK Fixed Dome Series  
**AM-10H Recessed-mount Bracket**

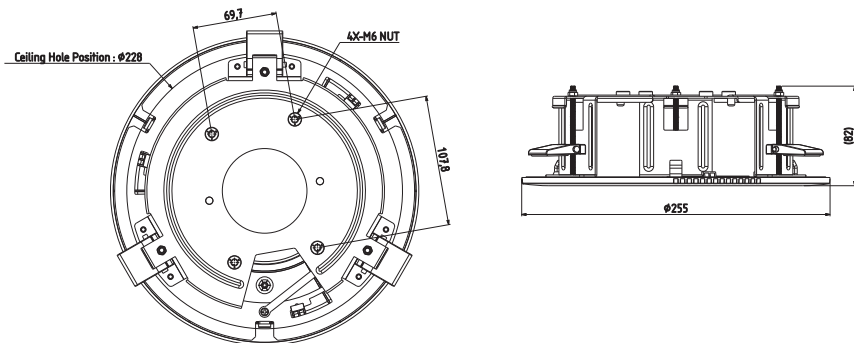
User's Manual

Corresponding part number: VIO900073500



Rev. 1.1

## AM-10H Recessed-mount Bracket Mechanical Drawing



### Package Contents

- Recessed-mount bracket
- Screws: M6x12 SEMS x4
- Alignment sticker
- Installation Guide

### Revision History

- Rev. 1.0: Initial release.
- Rev. 1.1: Update information.
- 

## I Compatible VIVOTEK Cameras

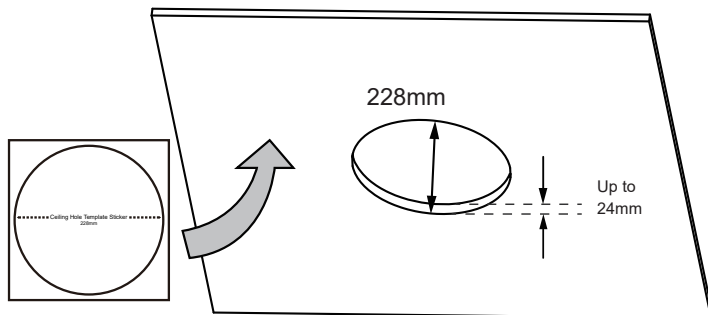
Fixed Dome series	<b>FD9167-HT-v2, FD9367-EHTV-v2, FD9365-EHTV-v2, FD9391-EHTV-v2</b>
-------------------	---

You may also refer to VIVOTEK's website for the list of supported models. Support for other models can be available through time.

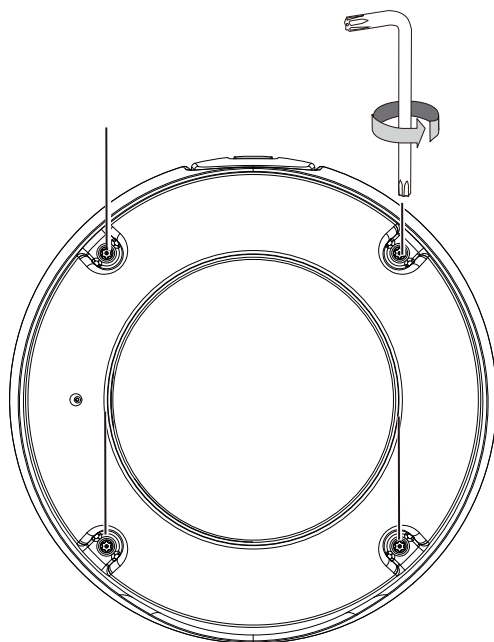
## II

**Installation****Mounting Hole Definitions**

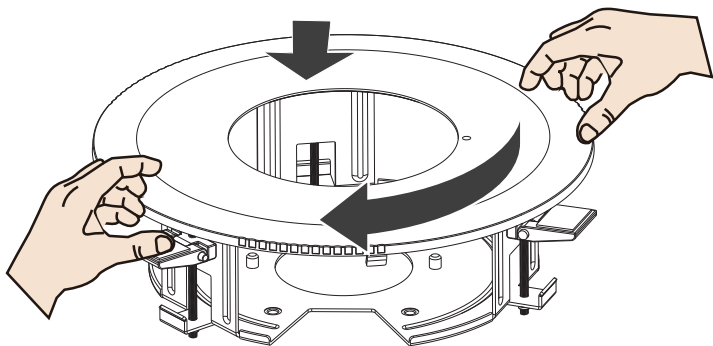
1. Determine a secure location for the recessed-mount bracket.
2. Drill or cut a 228mm hole (in diameter). The maximum thickness of the ceiling/board is 24mm. The ceiling should be able sustain at least a weight of 3.3kg.



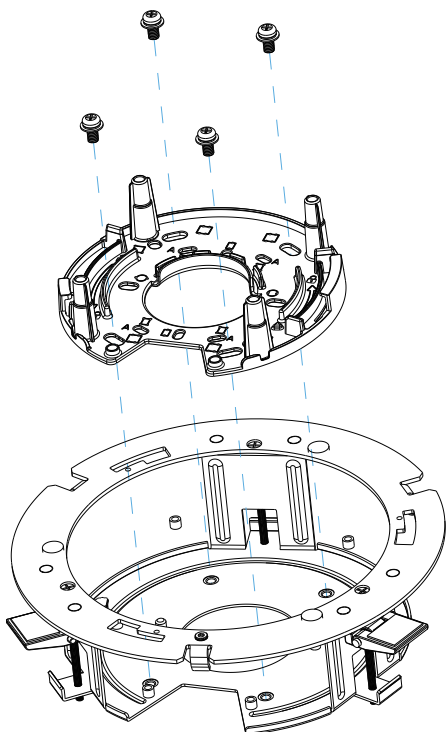
3. Remove dome cover from the camera using the stardriver included in kit.



4. Detach the recess-mount bracket cover from the recessed mount.



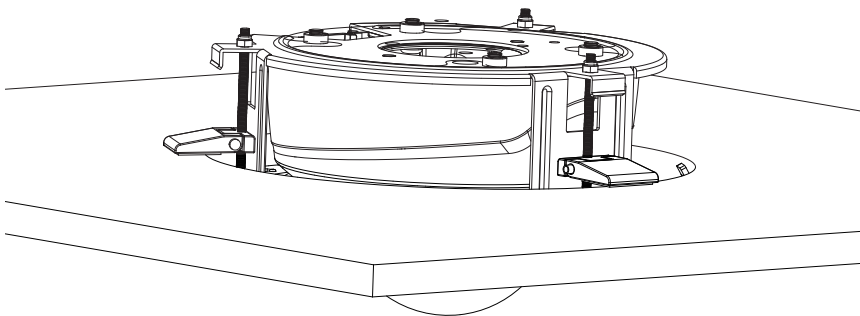
5. Install camera base to the recessed-mount bracket by driving #2 Phillips screws.



**NOTE:**

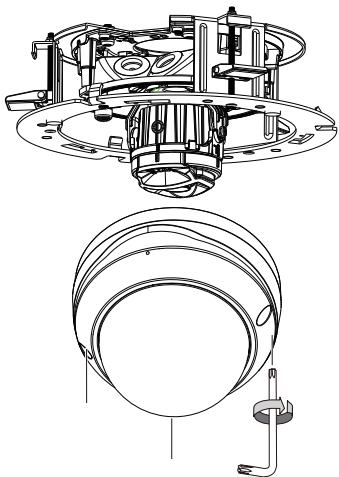
1. Connect and route cables before you secure the recessed-mount bracket to a ceiling.
2. For details on the cable connections with each camera, please refer to their Quick Installation Guide.

Optional: You can tie up a tether line to the top of the bracket in case the bracket may fall during the installation.

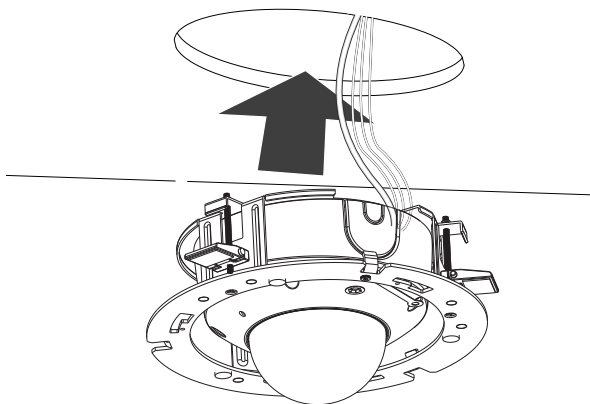


6. Connect cables to the camera.

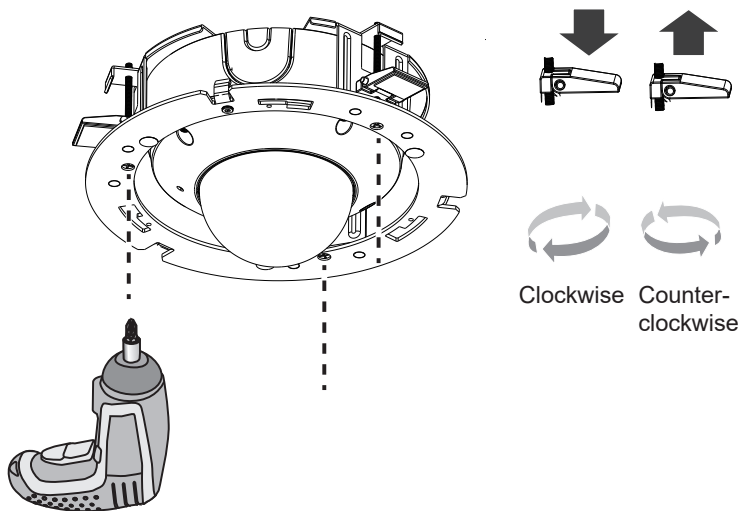
6-1. Re-install the dome cover of the camera.



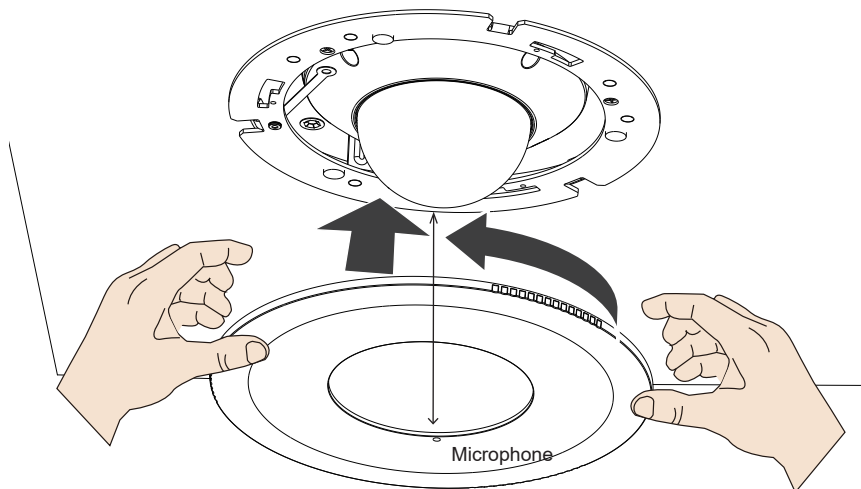
7. Use a #2 Phillips screwdriver to loosen the clamping plates (see drawing below) and insert the recessed-mount bracket through the hole in the ceiling.



8. Use a #2 Phillips screwdriver to move the clamping plates down so that the ceiling/board is caught between the clamps and the flange on the other side of the ceiling.



9. Adjust shooting angle and check for a satisfactory image over a web session. When you have a satisfactory live view, secure the recess-mount bracket cover from below by turning it counter-clockwise.



10. You are done with the installation.

