

## KEY FEATURES

- Ultra 265, H.265, H.264, MJPEG
- 120dB true WDR technology enables clear image in strong light scene
- Supports 9:16 Corridor Mode
- Smart IR, up to 50m (164ft) IR distance
- Supports 256 G Micro SD card
- IP67 protection
- NDAA Compliant

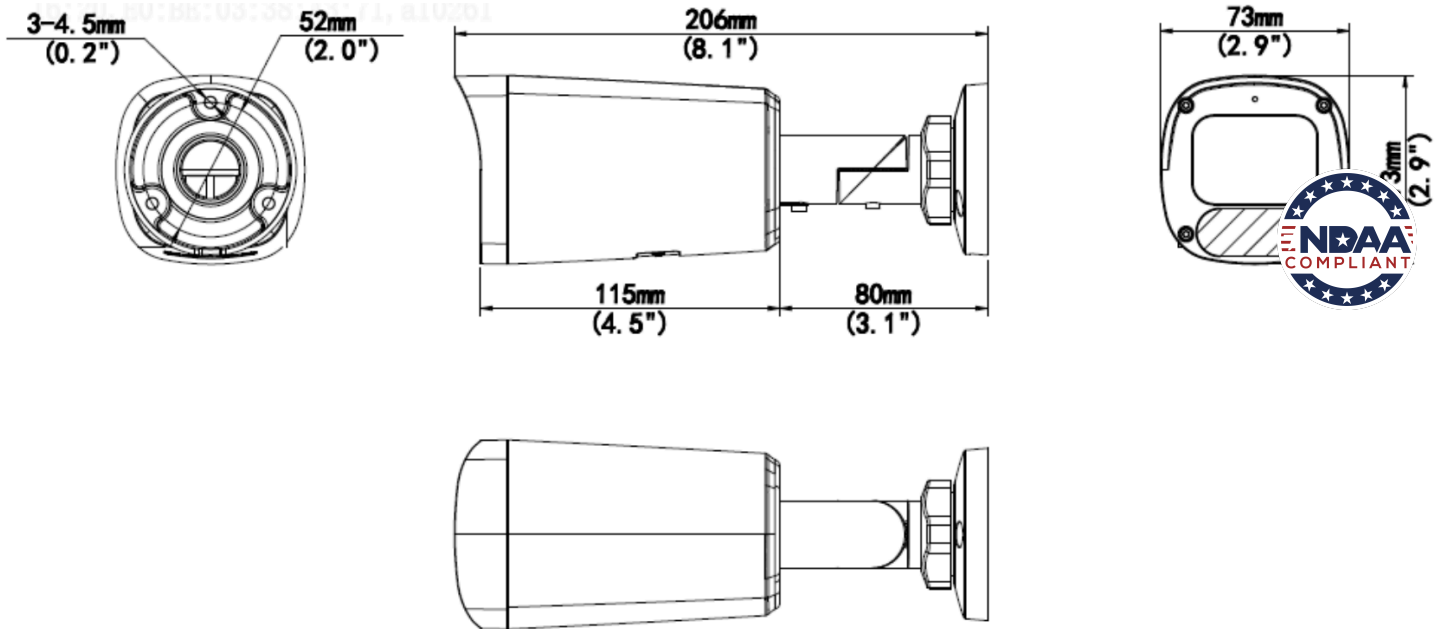


## SPECIFICATIONS

MODEL NUMBER	TP-PFB4MV2	TP-PFB5MV2
<b>TURING VISION ® SUPPORT</b>		
TURING VISION ® Cloud VMS	Included	
Prerequisites	Turing SMART Series NVR & bridge TR-MR32R-B, TR-MR64R-B & G2/GL-B NVR only	
<b>VIDEO &amp; AUDIO</b>		
Image sensor	1/3", 4.0 megapixel, progressive scan, CMOS	1/2.7", 5.0 megapixel, progressive scan, CMOS
Lens	2.8 ~ 12mm @ Max F1.6	
Angle of View	86.3°~35.2°	96.4°~32.7°
Minimum Illumination	Color: 0.003 lux (F1.6, AGC ON)	
IR LED	<b>Smart IR Range:</b> Up to 50m (164ft); <b>Wave Length:</b> 850nm	
Shutter	Auto/Manual, shutter time: 1~1/100000 s	
Image Processing	<b>WDR:</b> 120 dB; <b>S/N:</b> >52dB; <b>Noise reduction:</b> 2D/3D; <b>Defog:</b> Digital	
Video Encoding	Ultra 265, H.265, H.264 (Baseline profile, Main Profile, High Profile), MJPEG; <b>ROI:</b> Up to 8 areas	
Max Resolution	<b>Main Stream:</b> 4MP (2688*1520), Max 20fps <b>Sub Stream:</b> 720P (1280*720), Max 30fps	<b>Main Stream:</b> 5MP (2880*1620), Max 20fps <b>Sub Stream:</b> 720P (1280*720), Max 30fps
On-screen Overlay	<b>OSD:</b> Up to 4 OSD; <b>Privacy Mask:</b> Up to 4 areas	
White Balance	Auto/Outdoor/Fine Tune/Sodium Lamp/Locked/Auto2	
Image Rotation	Normal/Flip Vertical/ Flip Horizontal/180°	
Audio I/O	Built-in Mic	
Audio Compression	G.711, 64 Kbps, 8KHz, audio suppression	
Onboard Storage	microSD slot (SD card not included); up to 256GB	
<b>NETWORK ACCESSIBILITY &amp; SECURITY</b>		
Protocols	IPv4, IPv6, IGMP, ICMP, ARP, TCP, UDP, DHCP, RTP, RTSP, RTCP, DNS, DDNS, NTP, FTP, UPnP, HTTP, HTTPS, SMTP, SNMP, QoS, RTMP, SSL/TLS	
Compatible Integration	ONVIF (Profile S, Profile G, Profile T), API, SDK	
User/Host	Up to 32 users. 2 user levels: administrator and common user	
Security	Password protection, Strong password, HTTPS encryption, Export operation logs, Basic and digest authentication for RTSP, Digest authentication for HTTP, TLS 1.2, WSSE and digest authentication for ONVIF	
Network	1 RJ45 10M/100M Base-TX Auto-adaptive Ethernet	
<b>GENERAL</b>		
EMC	FCC CFR 47 Part 15, EN 55032:2015, EN 55024:2010; EN 61000-3-2:2014, EN 61000-3-3-2013	
Safety Certification	IEC 62368-1, EN 62368-1, UL 62368-1	
Power	DC12V±25%, PoE (IEEE 802.3af); Max. 9.6W; Surge Protection: 6KV	
Dimensions & Weight	206 × 73 × 73mm (8.1" × 2.9" × 2.9"); 0.51kg(1.12lb)	
Working & Storage Environment	-30°C ~ 60°C (-22°F ~ 140°F), Humidity: ≤95% RH (non-condensing)	
Reset Button	yes	
Environmental Protection	Ingression protection: IP67	

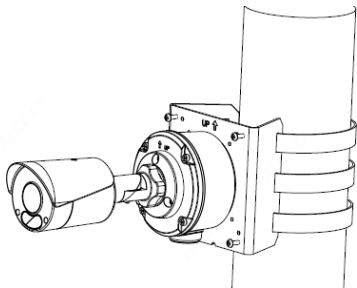
\*Specification subject to change without prior notice

## DIMENSIONS



## MOUNTING ACCESSORIES

MODEL NUMBER	DESCRIPTION / APPLICATION	COMPATIBLE ACCESSORIES
TP-FSBJB	Junction Box	TP-UWPJ - cable gland
TP-FCBPM	Pole Mount	



Pole Mount TP-FCBPM with Junction Box TP-FSBJB



Optional Cable Gland TP-UWPJ