

Absence of Water Detector

WWW.GRISK.COM



2808 Series

- ◆ Senses the lack of or presence of any non-volatile liquid
- ◆ Microprocessor controlled
- ◆ Submersible and fully self contained
- ◆ 12" cable



2808

The GRI 2808 Absence of Water Detector is targeted for monitoring a fluid level height. This submersible sensor can safely and reliably sense and respond to the absence of or presence of a non-volatile liquid in a wide range of environmental conditions.

The GRI 2808 series of water detectors are microprocessor controlled devices that produce an AC signal between two stainless steel probes. Depending on the conductivity measured between the two probes, a set of internal relay contacts will be latched in an open or closed position.

Sensor life span is optimized by periodically sampling for liquid at set timed intervals. Conductivity sampling between the two probes once every 2.5 minutes are used in the Standard Self Powered 2808 allowing for a 4-year expectancy. A sampling rate of once every 10 seconds is used with the Externally Powered 2808-12V providing a 15+ year life expectancy. Instantaneous triggering and custom sampling rates are also available on request.

External connections are made through the included 12 inches of direct burial cable allowing for up to a foot of total submersion, burial or harsh environmental exposure. Custom cable lengths are also available on request.

Part Numbers

2808
2808-12V

Self powered / 2.5 minute sample rate / C form relay output
External 12VDC / 30 second sample rate / C form relay output

WARRANTY: One year warranty against workmanship, material and factory defects.

GEORGE RISK INDUSTRIES, INC.
G.R.I. PLAZA
KIMBALL, NE 69145

WWW.GRISK.COM



201

1-800-445-5218
1-800-523-1227
(308) 235-4645
FAX (308) 235-3561
E-MAIL: sales@grisk.com

Absence of Water Detector

WWW.GRISK.COM



INSTALLATION INSTRUCTIONS:

The GRI Absence of Water Detector is installed by mounting the unit so that sensor probes are located at the unit so that sensor probes are located at the desired fluid level position. Insertion of the 2808 into the liquid will confirm that mounting point as the minimum liquid level height. Mounting the 2808 above and out of the liquid will confirm that mounting point as the maximum liquid level height. The latching C form relay output will set upon first initial sampling after mounting, and maintain that set during subsequent samplings up to and until a change in status occurs. At that time, the C form relay will reset, signaling that change. The device is secured in place using the provided plastic strap. Connections to the relay contact wires are made using a suitable wire connector. Note: Watertight connectors may be needed if connector location will be submerged.

These detectors should be inspected and tested annually. If there is damage the detector should be replaced.

Specifications

2808-12V Only

Operating Voltage 9 Volts DC - 28 Volts DC

Operating Current 7 mA nominal

2808 and 2808-12V

Operating Temperature: 70 C to -40C

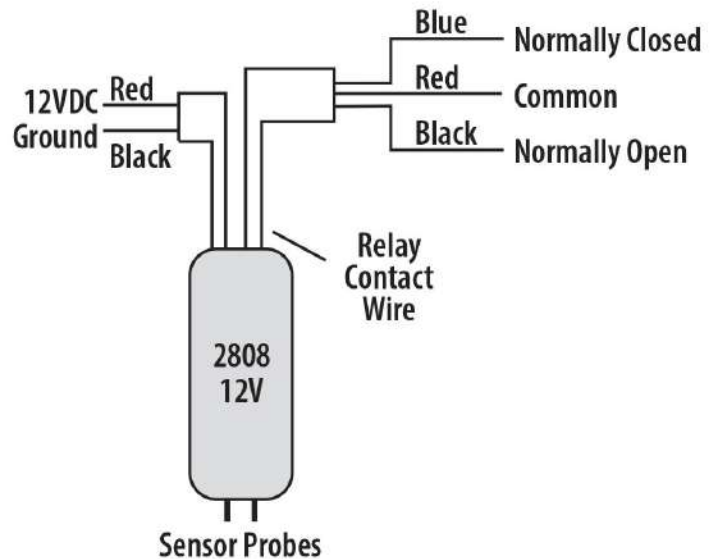
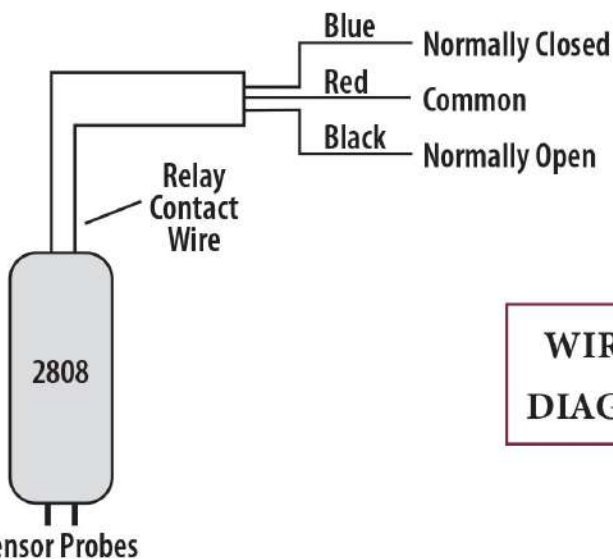
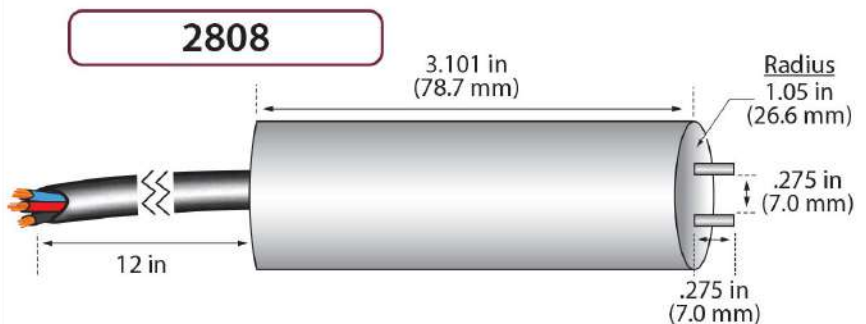
Contact Rating:

Nominal Switching Capacity 2A @ 30VDC

Max. Switching Power 60 W

Max. Switching Voltage 220 VDC

Max. Switching Current 2 A



WIRING DIAGRAM

WARRANTY: One year warranty against workmanship, material and factory defects.

GEORGE RISK INDUSTRIES, INC.
G.R.I. PLAZA
KIMBALL, NE 69145

WWW.GRISK.COM



1-800-445-5218
1-800-523-1227
(308) 235-4645
FAX (308) 235-3561
E-MAIL: sales@grisk.com