



# AVC-NSZ51X33LW AI

NDA  
COMPLIANT | CE | FC

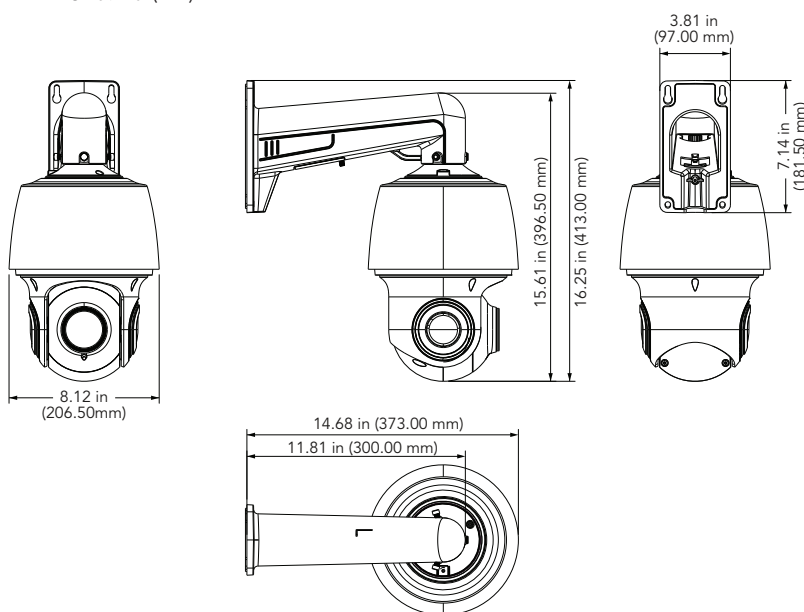
5MP H.265 FULL-SIZE PTZ DOME NETWORK CAMERA

## OVERVIEW

- 5MP (2592 X 1944)H.265+/H.264+/MJPEG
- Max. resolution: 2592 X 1944 @30fps
- 4.3 ~ 142mm Motorized Lens (Max F1.6)
- 3D DNR, WDR, HLC, BLC, ROI encoding
- Intelligent Analytics
- Auto Tracking
- Audio : 1 input / 1 output
- Alarm : 1 input / 1 output
- Built-in micro SD card slot with video and still image capture function (up to 256GB)
- IP66 ingress protection
- DC 12V/POE+, max. 25.6W
- Support remote monitoring by AVYCON ONE (Mobile APP) and AVYCON CMSONE (CMS)

## DIMENSIONS

Unit : inch(mm)



## OPTIONAL ACCESSORIES



AVM-PT-WMT-PM-L1  
WALL MOUNT  
(INCLUDED)



AVM-PT-CMT-PM-L1  
CEILING MOUNT



AVM-CRM-A1  
CORNER  
MOUNT BRACKET



AVM-P-POM-A2  
POLE  
MOUNT BRACKET



AVM-PT-TMT-T25  
MOUNT ADAPTER



AVM-P-PWMT  
PARAPET  
MOUNT BRACKET

## SPECIFICATIONS

CAMERA					
Image Sensor	1/2.7" Progressive Scan CMOS				
Image Size	2592x1944				
Shutter Speed	1/5s to 1/20000s				
Min. Illumination	Color: 0.003 Lux @ (F1.6, AGC ON), B/W: 0 Lux with IR				
IR Distance	Up to 492ft(150m)				
Lens	4.3mm to 142mm @ F No. 1.6 H: 55(W) - 2.3(T)° V: 41.6(W) - 1.7(T)° D : 67.9(W) - 2.8(T)°				
Lens Mount	Motorized(Ø14)				
Day & Night	IR cut filter with auto switch (Day / Night / Auto / Image / Schedule)				
Wide Dynamic Range	120dB				
Digital NR	3D DNR				
Backlight Compensation (BLC)	Off/On (5 Zone)				
Highlight Compensation (HLC)	Yes				
Defog	Yes				
Gain Control	Auto				
White Balance	Auto/Manual				
Flip/Mirror	Yes				
PTZ					
Pan Range	360°				
Pan Speed	Configurable from 0.6° to 200°/s; preset speed: 200°/s				
Tilt Range	-10° to 90° (auto flip)				
Tilt Speed	Configurable from 0.6° to 90°/s, preset speed 100°/s				
Optical Zoom	33x				
Proportional Zoom	Yes				
Preset	255				
Patrol Scan	1				
Pattern Scan	4				
Power-Off Memory	Yes				
3D Positioning	Yes				
Auto Tracking	Yes				
VIDEO IMAGE					
Video Compression	H.265+/H.265/H.264+/H.264/MJPEG				
Resolution	5MP(2592x1944), 4MP(2592x1520), 3MP(2048x1536 / 2304x1296), 1080P(1920x1080), 720P(1280x720), VGA(640x480), QVGA(320x240) @ 50/60 Hz				
Main Stream	60Hz: 5MP(2592x1944) @ 30FPS / 4MP(2560x1440), 3MP(2048x1536 / 2304x1296), 1080P(1920x1080), 720P(1280x720) @ 30 FPS 50Hz: 5MP(2592x1944) @ 30FPS / 4MP(2560x1440), 3MP(2048x1536 / 2304x1296), 1080P(1920x1080), 720P(1280x720) @ 25 FPS				
Sub Stream	60Hz: 720P(1280x720), VGA(640x480), QVGA(320x240) @ 30FPS, 50Hz: 720P(1280x720), VGA(640x480), QVGA(320x240) @ 30FPS				
Third Stream	60Hz: QVGA(340x480, 320x240) @ 30FPS, 50Hz: QVGA(340x480, 320x240) @ 30FPS				
Video Bit Rate	8Kbps ~ 8192kbps				
Image Settings	Day & Night, BLC, WDR, DNR, Privacy Masking, White Balance				
ROI	N/A				
NETWORK / INTERFACE					
Network	RJ45(10/100BASE-T)				
Network Protocol	TCP/IP, HTTP, DHCP, DNS, DDNS, RTP/RTSP, SMTP, NTP, UPnP, SNMP, HTTPS, FTP				
Interface Protocol	ONVIF( Profile S/G/T/M)				
Web Browser	Microsoft Edge, Safari, Firefox, Google Chrome				
Online Connection	Support simultaneous monitoring for up to 3 users; Support multi-stream real time transmission				
Security	IP Address Filter; Complicated Password; Authenticated Username and Password				
Streaming Method	Unicast / Multicast				
Storage	Micro SD/SDHC/SDXC Slot (up to 256GB) with video and still image capture function				
Video Output	1 x BNC Output				
Audio	1 input, 1 output				
Alarm	1 input, 1 output				
Hardware Reset	N/A				
DORI DISTANCE					
	Lens	Detect	Observe	Recognize	Identify
	4.3 ~ 142mm (W)	354.3ft (108m)	140.7ft (42.9m)	70.9ft (21.6m)	35.4ft (10.8m)
	4.3 ~ 142mm (T)	873.7ft (1024.9m)	3362.5ft (1024.9m)	1694.8ft (516.6m)	847.4ft (258.3m)
FUNCTIONS					
Remote Monitoring	Avycon CMSONE, Avycon Moblie One				
Smart Alarm	Motion detection				
Analytics	Face Detection, Human & Vehicle Detection, Intrusion Detection, Tripwire Detection, Stationary Object Detection, Tripwire Count, Heat Map, Crowd Density Detection, Queue Length Detection, License Plate Detection, Rare Sound Detection, Loitering Detection, Region Entrance Detection, Region Exiting Detection				
GENERAL					
Power Supply	DC 12V/POE+, max. 25.6W				
Power Consumption	N/A				
Operating Environment	-22 °F to 149 °F (-30 °C to 60 °C) Humidity 90% or less (non-condensing)				
Dimensions (in)	8.12 x 16.25in (206.50 X 413.00mm)				
Weight (lb)	8.15lb (3696g)				
Ingress Protection	IP66				