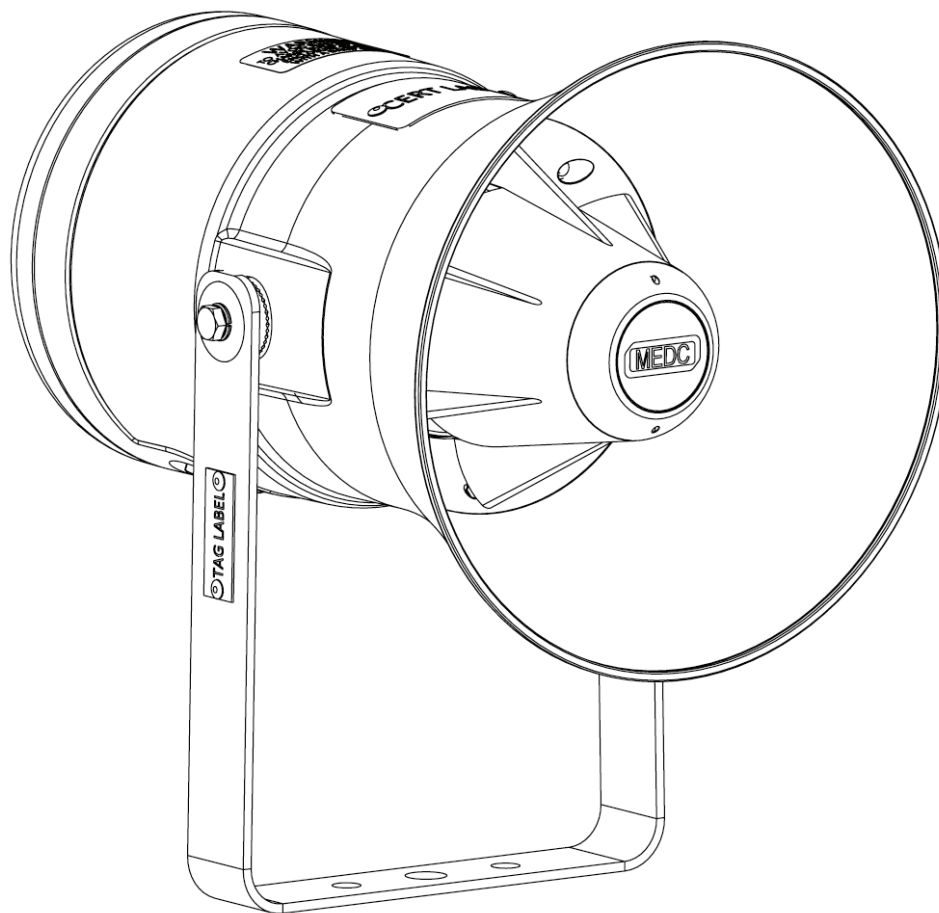


The horn – DB3B UL



DISCLAIMER OF WARRANTIES AND LIMITATION OF LIABILITY

The information, recommendations, descriptions and safety notations in this document are based on Eaton Corporation's ("Eaton") experience and judgment and may not cover all contingencies. If further information is required, an Eaton sales office should be consulted. Sale of the product shown in this literature is subject to the terms and conditions outlined in appropriate Eaton selling policies or other contractual agreement between Eaton and the purchaser.

THERE ARE NO UNDERSTANDINGS, AGREEMENTS, WARRANTIES, EXPRESSED OR IMPLIED, INCLUDING WARRANTIES OF FITNESS FOR A PARTICULAR PURPOSE OR MERCHANTABILITY, OTHER THAN THOSE SPECIFICALLY SET OUT IN ANY EXISTING CONTRACT BETWEEN THE PARTIES. ANY SUCH CONTRACT STATES THE ENTIRE OBLIGATION OF EATON. THE CONTENTS OF THIS DOCUMENT SHALL NOT BECOME PART OF OR MODIFY ANY CONTRACT BETWEEN THE PARTIES.

In no event will Eaton be responsible to the purchaser or user in contract, in tort (including negligence), strict liability or other-wise for any special, indirect, incidental or consequential damage or loss whatsoever, including but not limited to damage or loss of use of equipment, plant or power system, cost of capital, loss of power, additional expenses in the use of existing power facilities, or claims against the purchaser or user by its customers resulting from the use of the information, recommendations and descriptions contained herein. The information contained in this manual is subject to change without notice.

1.0 INTRODUCTION	1
2.0 GENERAL SAFETY MESSAGES AND WARNINGS	1
3.0 INSTALLATION	1
Access to terminals	1
Wiring details	2
AC version wiring details (Types 1 & 2)	2
DC version – 3 stage without monitoring wiring details (Type 3)	2
DC version – Dual stage common +ve with monitoring (standard configuration) wiring details (Type 4)	3
DC Version – Up to 3 user selectable stages with 2 independantly powered stages (Type 5)	3
DC version – Up to 3 stage with or without monitoring (alternative configuration) wiring details (Type 6)	4
DC version with voltage free stage activation wiring details (Type 7)	4
4.0 OPERATION	4
Directional characteristics	6
5.0 MAINTENANCE	8
6.0 CERTIFICATION/APPROVALS	9
Electrical ratings	9
7.0 SPECIAL CONDITIONS FOR SAFE USE	9
8.0 FUNCTIONAL SAFETY	10
Introduction	10
Assessment of functional safety	10
Conditions of safe use	11

1.0 Introduction

This range of horns, suitable for fire alarm or general use, is intended for use in potentially explosive gas (G) or gas and dust (GD) atmospheres.

The enclosure is manufactured from a UV stable glass reinforced polyester with a rugged thermoplastic flare. Stainless steel mounting bracket, cover screws and fixings are incorporated throughout thus ensuring a corrosion free product.


A UL ordinary locations listed version is also available for use in non-explosive atmospheres.

2.0 General safety messages and warnings

All instructions and safety messages in this manual must be followed to allow safe installation of the device. The device must only be installed and maintained by correctly trained site personnel/installers.

- I. To reduce the risk of ignition of hazardous atmospheres and shock, do not apply power to the device until installation has been completed and the device is fully sealed and secured.
- II. To reduce the risk of ignition of hazardous atmospheres and shock, keep device tightly closed when the circuit is energised.
- III. Before removing the cover for installation or maintenance, ensure that the power to the device is isolated.
- IV. Following installation, test the device to ensure correct operation.
- V. Following installation ensure a copy of this manual is made available to all operating personnel.
- VI. When installing the device, requirements for selection, installation and operation should be referred to e.g. IEE Wiring Regulations and the 'National Electrical Code' in North America. Additional national and/or local requirements may also apply.
- VII. Cable termination should be in accordance with the specification applying to the required application. MEDC recommends that all cables and cores should be correctly identified. Please refer to the wiring diagram in this manual (or separate diagram provided with the unit).
- VIII. This is an Ex d product, correctly listed or certified explosion proof cable glands and stopping plugs must be used.
- IX. Ensure that only the correct listed or certified stopping plugs are used to blank off unused gland entry points and that the NEMA/IP rating of the unit is maintained.
- X. MEDC recommend the use of a sealing compound such as HYLOMAR PL32 on the threads of all glands

and stopping plugs and/or a suitable sealing washer in order to maintain the IP rating of the unit.

- XI. The internal earth terminal  must be used for

protective earthing when required. Do not remove the internal ground strap from the earth terminal where fitted.

For units with metric entries; gland continuity and earthing may be achieved with an optional external earth plate. If the external plate is fitted, a thread sealing compound such as HYLOMAR PL32 must be employed to maintain the IP rating of the unit.

- XII. When installing the device, MEDC recommends the use of stainless steel fasteners. Ensure that all nuts, bolts and fixings are secure.
- XIII. The unit should be positioned such that debris, dust or water cannot settle in the re-entrant horn.
- XIV. The unit should be positioned such that any solid object, not part of the equipment, is a minimum of 40mm from the Ex d flamepath joint.

3.0 Installation

The unit is mounted via 2 off $\text{Ø}23/64''$ ($\text{Ø}9\text{mm}$) fixing holes in the U-shaped stirrup/mounting bracket. If required, the unit can be initially placed via the $\text{Ø}33/64''$ ($\text{Ø}13\text{mm}$) central hole in the stirrup. The unit can then be rotated to the required position and fixed via the other holes.

If ordered with the unit, a swivel mounting bracket option is available to allow further rotational adjustment to the unit.

The fixing holes have been designed to accept an $\text{Ø}5/16''$ (M8) screw or bolt.

Access to terminals

The cover is secured with 6 off M5 cover screws (4.0mm A/F hexagon key). Once the cover fixings are unscrewed, the cover can be lifted away from the enclosure to gain access to the interior. The cover fixings are captive and will remain in the cover.

Once termination is complete, carefully replace the cover assembly back onto the body, avoiding damage to the mating surfaces. Tighten the cover screws evenly. Ensure the O-ring is seated correctly on the cover during reassembly. Ensure the required maximum gap of $0.0015''$ (0.038mm) is maintained between the cover and the enclosure body once assembled.

Wiring details

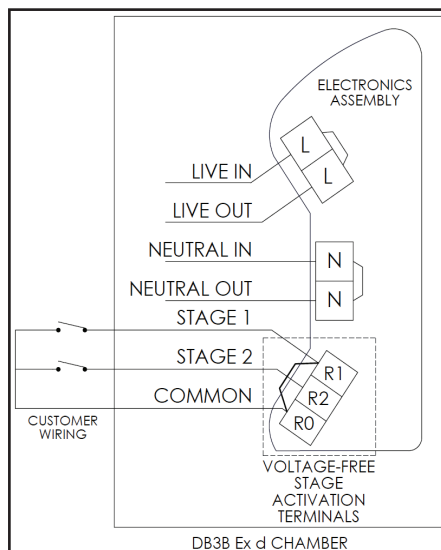
The unit is available in a number of basic configurations:

1. AC input, single stage.
2. AC input, dual stage with voltage-free stage selection.
3. DC input, up to 3 user selectable stages without monitoring.
4. DC input, up to 2 user selectable stages with EOL/monitoring (standard configuration).
5. DC input, up to 3 user selectable stages with 2 independently powered stages.
6. DC input, up to 3 user selectable stages with optional EOL/monitoring (alternative configuration).
7. DC input, 5 user selectable stages with voltage free stage selection with or without monitoring.

AC version wiring details (Types 1 & 2)

- **Type 1:** Connect the live and neutral supply wires to the terminals as detailed in the wiring diagram. The unit will be supplied with the link between R1 and R0 fitted to the terminals. When power is applied to the unit, the stage 1 tone will be produced as selected on the 5-way DIP switch.
- **Type 2:** Connect the live and Neutral supply wires to the terminals as detailed in the wiring diagram. The unit will be supplied with no link fitted between R1 and R0. Connect wires and remote switches to terminals R0, R1 and R2 as shown. When power is initially applied to the unit, no tone will be produced. When the switch connected to R1 is closed, the stage 1 tone will be produced as selected by the 5-way DIP switch on the electronics assembly. When the switch connected to R2 is closed, the pre-selected tone for stage 2 is produced. See tone table 2 for details of pre-selected tones.

Note: Closing both switches will produce no tone.



DC version – 3 stage without monitoring wiring details (Type 3)

This type can be configured in a number of different ways depending on requirements. Independent tone selection for all 3 stages is via the 3 off 5-way DIP switches fitted to the electronics assembly:

- **2-wire system (Single stage):** Connect the positive and negative supply wires to the terminals as detailed in the wiring diagram.
- **2-wire system (Dual stage, reverse polarity):** Connect the positive and negative supply wires to the terminals as detailed in the wiring diagram. The second stage is produced by reversing the polarity of the supply to the unit.
- **3-wire system (Dual stage, common +ve):** Connect 3 supply wires to the terminals as detailed in the wiring diagram (1 common +ve wire and 2 -ve wires). Stage 1 is produced when power is applied across the common +ve and stage 1 -ve terminals. Stage 2 is produced when power is applied across the common +ve and stage 2 -ve terminals.
- **3-wire system (Dual stage, common -ve):** Connect 3 supply wires to the terminals as detailed in the wiring diagram (2 +ve wires and 1 common -ve wire). Stage 1 is produced when power is applied across the stage 1 +ve and common -ve terminals. Stage 2 is produced when power is applied across the stage 2 +ve and stage common -ve terminals.
- **4-wire system (Triple stage, Common -ve):** Connect 4 supply wires to the terminals as detailed in the wiring diagram (3 +ve wires and 1 common -ve wire). Stage 1 is produced when power is applied across the stage 1 +ve and common -ve terminals. Stage 2 is produced when power is applied across the stage 2 +ve and common -ve terminals. Stage 3 is produced when power is applied across the stage 3 +ve and common -ve terminals.

All versions are supplied with terminals to allow loop-in loop-out connection of the supply wires.

DB3B DC SINGLE STAGE CONFIGURATION		DB3B DC DUAL STAGE REVERSE POLARITY CONFIGURATION	
STAGE 1 +VE IN	1	STAGE 1 +VE IN/STAGE 2 -VE IN	1
STAGE 1 -VE IN	2	STAGE 1 -VE IN/STAGE 2 +VE IN	2
NOT USED	3	NOT USED	3
NOT USED	4	NOT USED	4
STAGE 1 +VE OUT	5	STAGE 1 +VE OUT/STAGE 2 -VE OUT	5
STAGE 1 -VE OUT	6	STAGE 1 -VE OUT/STAGE 2 +VE OUT	6
NOT USED	7	NOT USED	7
NOT USED	8	NOT USED	8

DB3B DC DUAL STAGE COMMON POSITIVE CONFIGURATION		DB3B DC DUAL STAGE COMMON NEGATIVE CONFIGURATION		DB3B DC TRIPLE STAGE COMMON NEGATIVE CONFIGURATION	
COMMON +VE IN	1	STAGE 1 +VE IN	1	STAGE 2 +VE IN	1
STAGE 1 -VE IN	2	COMMON -VE IN	2	STAGE 3 +VE IN	2
NOT USED	3	NOT USED	3	STAGE 1 +VE IN	3
STAGE 2 -VE IN	4	STAGE 2 +VE IN	4	COMMON -VE IN	4
COMMON +VE OUT	5	STAGE 1 +VE OUT	5	STAGE 2 +VE OUT	5
STAGE 1 -VE OUT	6	COMMON -VE OUT	6	STAGE 3 +VE OUT	6
NOT USED	7	NOT USED	7	STAGE 1 +VE OUT	7
STAGE 2 -VE OUT	8	STAGE 2 +VE OUT	8	COMMON -VE OUT	8

DC version – Dual stage common +ve with monitoring (standard configuration) wiring details (Type 4)

Connect up to 4 supply wires to the terminals as detailed in the wiring diagram. Stage 1 is produced when power is applied across the stage 1 terminals. Stage 2 is produced when power is applied across the common +ve and stage 2 -ve terminals.

Monitoring functionality is obtained when the supply is connected across M1 & M2 terminals.

Note: monitored terminals are not polarity dependent

DB3B DC DUAL STAGE COMMON POSITIVE CONFIGURATION WITH MONITORING	
COMMON +VE / MONITORED 1 IN	1
STAGE 1 -VE IN	2
MONITORED 2 IN	3
STAGE 2 -VE IN	4
COMMON +VE / MONITORED 1 OUT	5
STAGE 1 -VE OUT	6
MONITORED 2 OUT	7
STAGE 2 -VE OUT	8

MONITORING FUNCTIONALITY ONLY AVAILABLE WHEN RESISTOR IS FITTED

DC Version – Up to 3 user selectable stages with 2 independantly powered stages (Type 5)

Connect up to 4 supply wires to the terminals as detailed in the wiring diagram. Stage 1 is produced when power is applied across the stage 1 terminals. Stage 2 is produced when power is applied across the stage 2 terminals. Stages 1 and 2 may be powered from independent supplies. Stage 3 is produced when power is applied to both the stage 1 and stage 2 terminals.

Resistors may be added to the terminals as shown for monitoring purposes. Monitoring functionality is available at all times if a suitable monitoring relay is used in the system.

DB3B DC DUAL STAGE INDEPENDANT CONFIGURATION WITH MONITORING		
STAGE 3	STAGE 2 -VE IN	1
	STAGE 2 +VE IN	2
	STAGE 1 +VE IN	3
	STAGE 1 -VE IN	4
	STAGE 2 -VE OUT	5
	STAGE 2 +VE OUT	6
	STAGE 1 +VE OUT	7
	STAGE 1 -VE OUT	8

MONITORING FUNCTIONALITY AVAILABLE AT ALL TIMES WHEN USED WITH A SUITABLE MONITORING RELAY

DC version – Up to 3 stage with or without monitoring (alternative configuration) wiring details (Type 6)

Note: This alternative configuration must be specified when ordering the unit.

This type can be connected either as a three stage common –ve configuration, or if an optional EOL is specified it can be configured as a dual stage common –ve system with monitoring.

- **4-wire system (Triple stage, Common +ve):** Connect 4 supply wires to the terminals as detailed in the wiring diagram (1 common +ve wire and 3 -ve wires). Stage 1 is produced when power is applied across the common +ve and stage 1 -ve terminals. Stage 2 is produced when power is applied across the common +ve and stage 2 -ve terminals. Stage 3 is produced when power is applied across the common +ve and stage 3 -ve terminals.
- **4-wire system (Dual stage, common –ve with monitoring):** Connect 4 supply wires to the terminals as detailed in the wiring diagram. Stage 1 is produced when power is applied across the common -ve and stage 1 +ve terminals. Stage 2 is produced when power is applied across the common -ve and stage 2 +ve terminals.

Monitoring functionality is obtained when the supply is connected across M1 & M2 terminals.

Note: monitored terminals are not polarity dependents

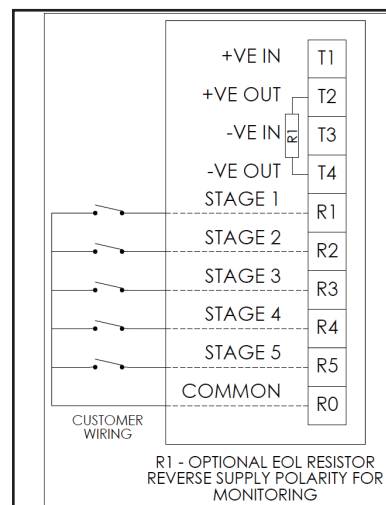
DB3B DC TRIPLE STAGE COMMON POSITIVE CONFIGURATION		DB3B DC DUAL STAGE COMMON NEGATIVE CONFIGURATION WITH MONITORING	
COMMON +VE IN	1	STAGE 2 +VE IN	1
STAGE 1 -VE IN	2	MONITORED 1 IN	2
STAGE 3 -VE IN	3	STAGE 1 +VE IN	3
STAGE 2 -VE IN	4	COMMON -VE / MONITORED 2 IN	4
COMMON +VE OUT	5	STAGE 2 +VE OUT	5
STAGE 1 -VE OUT	6	MONITORED 1 OUT	6
STAGE 3 -VE OUT	7	STAGE 1 +VE OUT	7
STAGE 2 -VE OUT	8	COMMON -VE / MONITORED 2 OUT	8

**MONITORING FUNCTIONALITY ONLY
AVAILABLE WHEN RESISTOR IS FITTED**

DC version with voltage free stage activation wiring details (Type 7)

Connect the positive (+ve) and negative (-ve) supply wires to the terminals as detailed in the wiring diagram. When power is applied to the unit, no tone will be produced initially. Connect wires and remote switches to terminals R0 to R5 as shown. When the switch connected to R1 is closed, the stage 1 tone will be produced as selected by the 5-way DIP switch on the electronics assembly. When any of the other switches connected to R2 to R5 is closed, the pre-selected tone for stages 2 to 5 are produced. See tone table 2 for details of pre-selected tones.

Note: Closing more than one switch at a time will result in no tone being produced.



#

4.0 Operation

The sounder is available in various AC and DC input voltage versions.

For AC versions, 120Vac and 240Vac units comply with regulated supply limits, for all other AC versions, the nominal operating voltage is stated on the unit label and the supply voltage tolerance is ±10%.

For 12-48Vdc versions, the absolute input voltage range is 11.0Vdc to 58.0Vdc.

The unit is fitted with a volume control which is

positioned on the top face of the electronics assembly PCB. Maximum volume is obtained when this control is turned fully clockwise. When turned fully anti-clockwise the unit will emit no sound. For fire alarm use, if the control is not set to maximum volume, ensure the output from the horn meets the minimum level required by the relevant standards.

Warning: Do not attempt to turn the volume control past its limits of movement as this may cause damage to the unit.

Stages

For all versions, a 5-way DIP switch selects the stage required for each stage. The settings for the standard stages are shown in the table below:

Tone table 1:

Tone no.	Tone freq/description	Switch setting 12345	Tone description
1	Alt Stages 800/970 Hz at 1/4 sec	11111	
2	Sweeping 800/970 Hz at 7 Hz	11110	Fast Sweep (LF)
3	Sweeping 800/970 Hz at 1 Hz	11101	Medium Sweep (LF)
4	Continuous at 2850 Hz	11100	
5	Sweeping 2400-2850 Hz at 7 Hz	11011	Fast Sweep
6	Sweeping 2400-2850 Hz at 1 Hz	11010	
7	Slow Whoop	11001	Slow Whoop
8	Sweep 1200-500 Hz at 1 Hz	11000	Din Stage
9	Alt Stages 2400/2850 Hz at 2 Hz	10111	
10	Int Stage of 970 Hz at 1 Hz	10110	Back-up Alarm (LF)
11	Alt Stages 800/970 Hz at 7/8 Hz	10101	
12	Int Stage at 2850 Hz at 1Hz	10100	Back-up Alarm (HF)
13	970 Hz at 1/4 sec on 1 sec off	10011	
14	Continuous at 970 Hz	10010	
15	554 Hz for 0.1S/440 Hz for 0.4S	10001	French Fire Sound
16	Int 660 Hz 150 mS on 150 mS off	10000	Swedish Fire Alarm
17	Int 660 Hz 1.8 sec on 1.8 sec off	01111	Swedish Fire Alarm
18	Int 660 Hz 6.5 sec on 13 sec off	01110	Swedish Fire Alarm
19	Continuous 660 Hz	01101	Swedish Fire Alarm
20	Alt 554/440 Hz at 1 Hz	01100	Swedish Fire Alarm
21	Int 660 Hz at 7/8 Hz	01011	Swedish Fire Alarm
22	Int 2850 Hz 150 mS on 100 mS off	01010	Pelican Crossing
23	Sweep 800-970 Hz at 50 Hz	01001	Low Freq. Buzz
24	Sweep 2400 -2850 Hz at 50 Hz	01000	High Freq. Buzz
25	3x970 Hz pulses 0.5 off, 1.5 off	00111	
26	3x2850 Hz pulses 0.5on/0.5off, 1.5 off	00110	
27	Int 3100 Hz 0.32s on/0.68s off	00101	
28	Continuous 1400 Hz	00100	
29	Spare/Custom tone	00011	
30	Spare/Custom tone	00010	
31	Spare/Custom tone	00001	
32	Spare/Custom tone	00000	

Note: If special tones were requested at the time of ordering, please see the separate tones list supplied with the unit for details of these special tones and their respective switch settings.

Tone table 2: Pre-selected tone details for voltage-free activation stages:

Tone no.	Tone freq/description	Switch setting 12345	Voltage free stage selection tone no.				
			DC	AC	DC	AC	DC
Stage 1			Stage 2	Stage 3	Stage 4	Stage 5	Stage 2
1	Alt Tones 800/970Hz at 1/4 sec	11111	T14	T10	T11	T8	T14
2	Sweeping 800/970Hz at 7 Hz	11110	T14	T10	T1	T8	T14
3	Sweeping 800/970Hz at 1 Hz	11101	T14	T10	T1	T8	T14
4	Continuous at 2850Hz	11100	T14	T10	T1	T8	T14
5	Sweeping 2400-2850Hz at 7Hz	11011	T14	T10	T1	T8	T14
6	Sweeping 2400-2850Hz at 1Hz	11010	T14	T10	T1	T8	T14
7	Slow Whoop	11001	T14	T10	T1	T8	T14
8	Sweep 1200-500Hz at 1Hz	11000	T14	T10	T1	T6	T14

The horn – DB3B UL

English

9	Alt Tones 2400/2850Hz at 2Hz	10111	T14	T10	T1	T8	T14
10	Int Tone of 970Hz at 1Hz	10110	T14	T12	T1	T8	T14
11	Alt Tones 800/970Hz at 7/8Hz	10101	T14	T10	T1	T8	T14
12	Int Tone at 2850Hz at 1Hz	10100	T14	T10	T1	T8	T14
13	970Hz at 1/4 sec on 1 sec off	10011	T14	T10	T1	T8	T14
14	Continuous at 970Hz	10010	T28	T10	T1	T8	T28
15	554Hz for 0.1S/440Hz for 0.4S	10001	T14	T10	T1	T8	T14
16	Int 660Hz 150 mS on 150 mS off	10000	T14	T10	T1	T8	T14
17	Int 660Hz 1.8 sec on 1.8 sec off	01111	T14	T10	T1	T8	T14
18	Int 660Hz 6.5 sec on 13 sec off	01110	T14	T10	T1	T8	T14
19	Continuous 660Hz	01101	T14	T10	T1	T8	T14
20	Alt 554/440Hz at 1Hz	01100	T14	T10	T1	T8	T14
21	Int 660Hz at 7/8Hz	01011	T14	T10	T1	T8	T14
22	Int 2850Hz 150 mS on 100 mS off	01010	T14	T10	T1	T8	T14
23	Sweep 800-970Hz at 50Hz	01001	T14	T10	T1	T8	T14
24	Sweep 2400-2850Hz at 50Hz	01000	T14	T10	T1	T8	T14
25	3x970Hz pulses 0.5 off, 1.5 off	00111	T14	T10	T1	T8	T14
26	3x2850Hz pulses 0.5on/0.5off, 1.5 off	00110	T14	T10	T1	T8	T14
27	Int 3100Hz 0.32s on/0.68s off	00101	T14	T10	T1	T8	T14
28	Continuous 1400Hz	00100	T14	T10	T1	T8	T14
29	Spare/Custom tone	00011					
30	Spare/Custom tone	00010					
31	Spare/Custom tone	00001					
32	Spare/Custom tone	00000					

Sound Pressure Output

Audibility ratings according to UL464 and sound pressure level according to CAN/ULC-S525 are as below tested on tones 4, 14, 19 and 28:

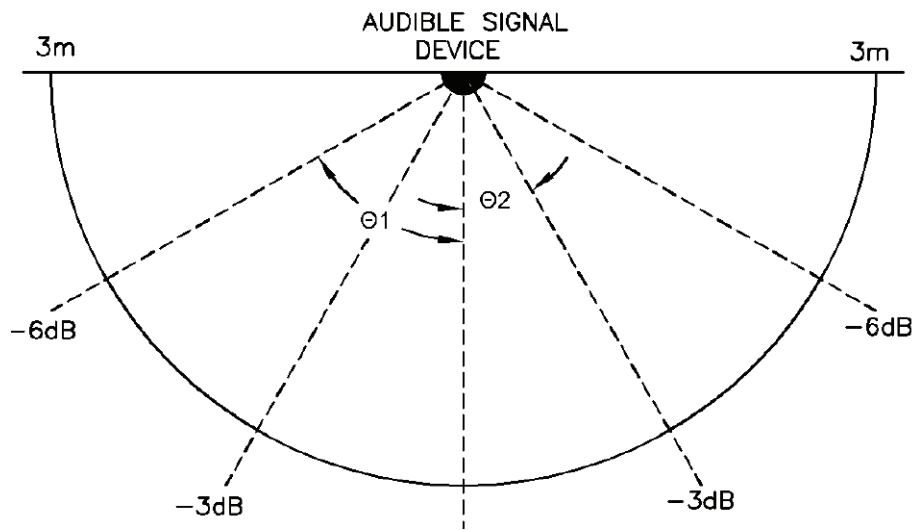
Flare Option	Tone No.	Audibility Rating UL464 (dBA at 10ft)	CAN/ULC-S525 (dBA at 3m)
Long Flare	4	84.9	96.9
Long Flare	14	95.4	99.4
Long Flare	19	92.5	92.2
Long Flare	28	96.8	105.4
Short Flare	4	85.4	94.6
Short Flare	14	94.2	94.9
Short Flare	19	83.2	88.3
Short Flare	28	96.1	101.5

Directional Characteristics

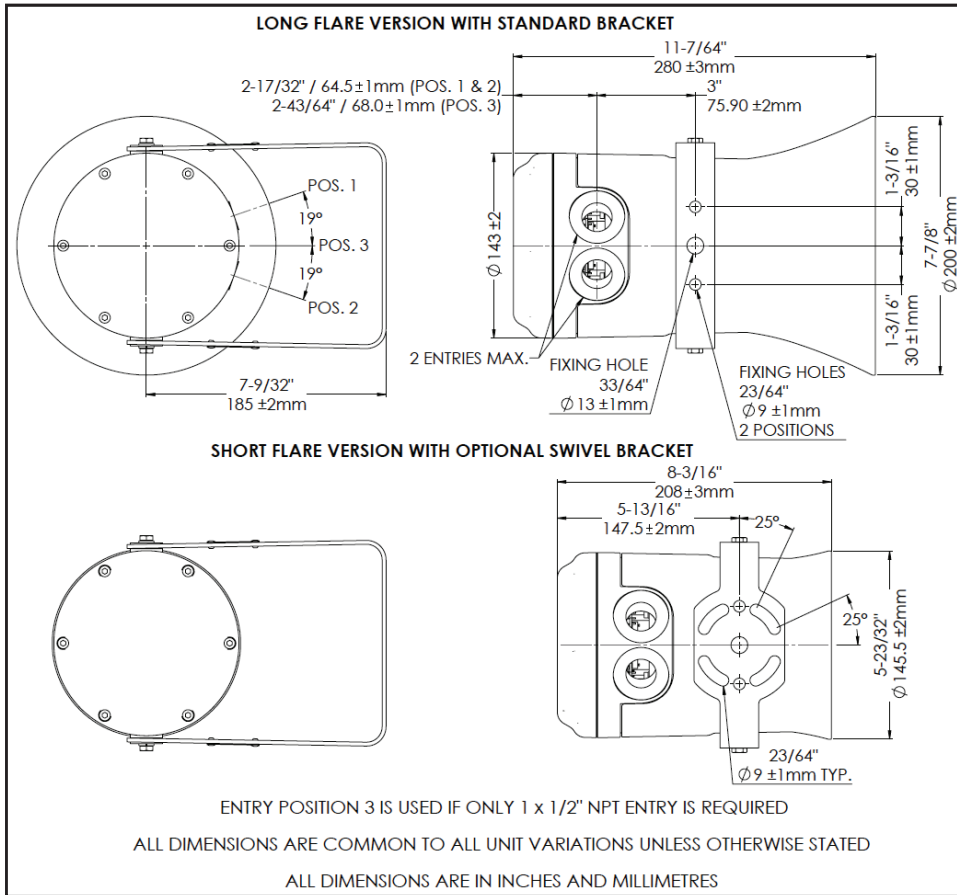
SPL directional characteristics as measure in accordance with CAN/ULC-S525, measured on Tone 19.

Angle	OSPL (dBA)	Angle	OSPL (dBA)
Short Flare Version Horizontal Axis			
Reference (90°)	89.9	Reference (90°)	89.9
139	86.9 (-3 dBA)	46	86.9 (-3 dBA)
148	83.9 (-6 dBA)	35	83.9 (-6 dBA)
180	81.8	0°	81.5
Short Flare Version Vertical Axis			
Reference (90°)	89.8	Reference (90°)	89.8
143	86.8 (-3 dBA)	47	86.8 (-3 dBA)
150	83.8 (-3 dBA)	35	83.8 (-6 dBA)
180	82.2	0°	81.2

Angle	OSPL (dBA)	Angle	OSPL (dBA)
Long Flare Version Horizontal Axis			
Reference (90°)	93.9	Reference (90°C)	93.9
165	90.9 (-3 dBA)	20	90.9 (-3 dBA)
*	87.9 (-6 dBA)	*	87.9 (-6 dBA)
180	92.0	0°	91.9
Long Flare Version Vertical Axis			
Reference (90°)	93.7	Reference (90°)	93.7
*	90.7 (-3 dBA)	24	90.7 (-3 dBA)
*	87.7 (-6 dBA)	*	87.7 (-6 dBA)
180	91.9	0°	91.8



General arrangement



5.0 Maintenance

During the working life of the unit, it should require little or no maintenance. GRP will resist attack by most acids, alkalis and chemicals and is as resistant to concentrated acids and alkalis as most metal products.

However, if abnormal or unusual environmental conditions occur due to plant damage or accident etc., then visual inspection is recommended.

If the unit requires cleaning, then only clean exterior with a damp cloth to avoid electro-static charge build up.

If a unit fault should occur, then the unit can be repaired by MEDC.

If you acquired a significant quantity of units, then it is recommended that spares are also made available. Please discuss your requirements with the Technical Sales Engineers at MEDC.

6.0 Certification/approvals

UL listed for use in USA (USL) and Canada (CNL) – Audible signal appliance for fire alarm or general use.

Please refer to the marking on the unit for specific approval details

(USL) Class I, Zone 1 AEx db IIC T*
Zone 21 AEx tb IIIC

(CNL) Class I, Zone 1 Ex db IIC Gb T*
Class II, Zone 21, Ex tb IIIC Db

Also suitable for: Class I, Div. 2 Groups A, B, C, D
Class II, Div. 2, Groups F & G
Class III, Div. 1

Applicable Standards:

(USL) UL 60079-0, Edition 7
UL 60079-1, Edition 7
ANSI/ISA 60079-31, Edition 2
UL 464, Edition 9

(CNL) CSA C22.2 No. 60079-0:19
CSA C22.2 No. 60079-1:16
CSA C22.2 No. 60079-31, Edition 2
CAN/ULC-S525-07

T-Ratings:

Max. Power rating	T _{amb.}	T-ratings (T*)
15W	-67°F to +185°F (-55°C to +85°C)	T4/T135°C
	-67°F to +131°F (-55°C to +55°C)	T5/T100°C
	-67°F to +104°F (-55°C to +40°C)	T6/T85°C

Electrical ratings:

The DB3B is available in a number of different input voltage variations:

- 12 V to 48 V dc, 716 mA to 171 mA, Special Application *
- 110 Vac, 50/60 Hz, 122mA, Special Applicaton.
- 120 V ac, 50/60 Hz, 110 mA, Regulated.
- 220/230/ Vac, 50/60 Hz, 63 mA, Special Application.
- 240 Vac, 50/60 Hz, 58 mA, Regulated.

***Note:** the DC special application version is suitable for use with 24Vdc regulated supplies.

7.0 Special conditions for safe use

1. For replacement purposes the cover fixing screws shall be of stainless steel grade A2-70 or stronger.
2. Painting and surface finishes, other than those applied by the manufacturer, are not permitted.
3. When the unit is used in dust atmospheres the cable entries used shall be sealed to maintain the IP6X rating, in accordance with the applicable installation codes.
4. **Warning** - Do not open when an explosive atmosphere is present.
5. For supply connections, cable temperature rise 25K.
6. **Warning** - On painted units, to avoid electrostatic charge build up, clean enclosure with a damp cloth
7. **Warning** – to reduce the risk of ignition of hazardous atmospheres, conduit openings must have a sealing fitting connected within 50mm of the enclosure.
8. **Warning** - This product is not nonincendive. It is a Zone 1 Ex d product. When used in a Division 2 application by equivalence, it must be installed as a Zone 1 Ex d product to maintain the type of protection.

8.0 Functional safety

Introduction

The DB3B Sounder has been designed for use in potentially explosive atmospheres and harsh environmental conditions. The glass reinforced polyester enclosures are suitable for use offshore or onshore, where light weight combined with corrosion resistance is required.

The safety function of the Sounder is to provide a pre-determined audible warning sound when required if the correct voltage is applied to the unit. The DC version of the Sounder is designed to operate on a supply voltage between 12-48v dc.

Under No fault (Normal) Operating conditions the DB3B Sounder will provide an audible warning sound when required by the system.

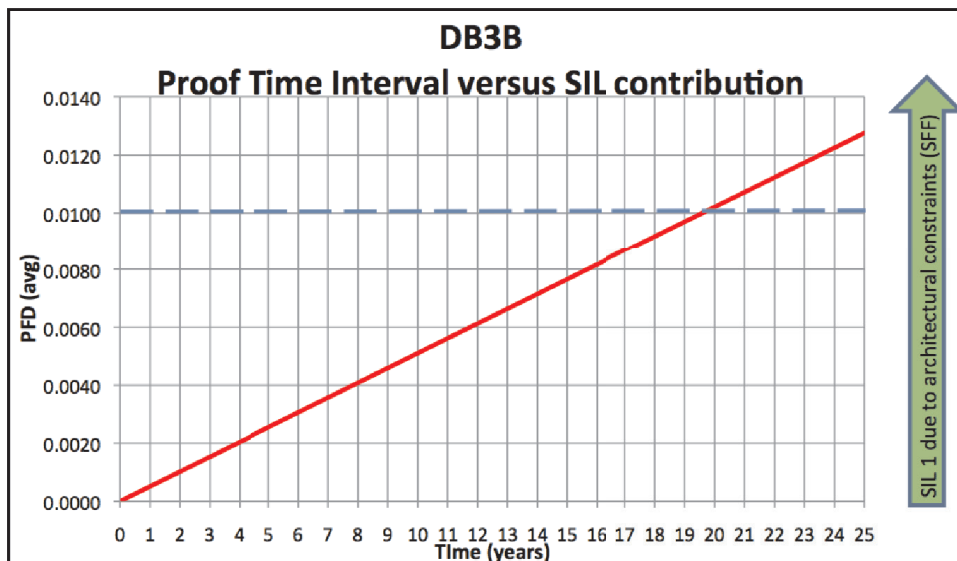
Under fault conditions the failure mode of the Sounder is a failure to provide an audible warning sound. For the failure rate associated with this failure mode please refer to the table below.

Assessment of functional safety

This Sounder is intended for use in a safety system conforming to the requirements of IEC61508. UL has conducted a Failure Modes Effect and Diagnostic Analysis (FMEDA) of the DB3B Sounder against the requirements of IEC 61508-2 using a Proof Test Interval of 8760hrs.

The results are shown below and are based on Route 1_H. The Sounder is classed as a Type B device.

DB3B Sounder			
Safety Function of DB3B Sounder: <i>To provide a pre-described audible warning sound when required'</i>			
Summary of clauses 2/7.4.2 And 2/7.4.4	DB3B Sounder <i>Single mode (1oo1)</i>	DB3B Sounder <i>Redundant mode (1oo2)</i>	Verdict
Architectural constraints Safe Failure Fraction (SFF)	HFT=0 65.9%	HFT=1 65.9%	Type B SIL 1(1oo1) SIL 2 (1oo2)
Random hardware failures: [h ⁻¹]	λ_{DD} λ_{DU} 6.5E+09 1.16E-07	6.5E+10 1.16E-08	
Random hardware failures: [h ⁻¹]	λ_{SD} λ_{SU} 0.00E+00 2.18E-07	0.00E+00 2.18E-08	
PFD @ PTI = 8760Hrs MTTR = 8 Hrs	5.09E-04	5.09E-05	SIL 3(1oo1)
Average freq. of dangerous failure (high demand-PFH)[h ⁻¹]	1.16E-07	1.16E-08	SIL 2(1oo1)
Hardware safety integrity compliance	Route 1 _H		
Systematic safety integrity compliance	Route 1 _S		
Systematic Capability (SC1, SC2, SC3, SC4)	SC2		
Hardware safety integrity achieved	Limited to: SIL 1 (1oo1) & SIL 2 (1oo2) due to SFF value.		



Conditions of safe use

The following conditions apply the installation, operation and maintenance the assessed equipment. Failure to observe these may compromise the safety integrity the assessed equipment:

1. The user shall comply with the requirements given in the manufacturer's user documentation (This Safety Manual and Technical manual) in regard all relevant functional safety aspects such as application of use, installation, operation, maintenance, proof tests, maximum ratings, environmental conditions, repair, etc;
2. Selection of this equipment for use in safety functions and the installation, configuration, overall validation, maintenance and repair shall only be carried out by competent personnel, observing all the manufacturer's conditions and recommendations in the user documentation.
3. **All information associated with any field failures of this product should be collected under a dependability management process (e.g., IEC 60300-2) and reported to the manufacturer.**
4. The unit should be tested at regular intervals to identify any malfunctions; in accordance with this safety manual.
5. If the product is used in a redundant installation, both hardware safety integrity and systematic safety integrity for SIL 2 can be achieved. The installation must be such as to ensure sufficient protection against common cause failures and independence from cascading failures.

Contents

1.0 INTRODUCTION	14
2.0 MESSAGES ET AVERTISSEMENTS DE SÉCURITÉ GÉNÉRALE	14
3.0 INSTALLATION	14
Accès aux bornes	14
Détails de câblage	15
Version CA, détails du câblage (types 1 et 2)	15
Détails du câblage version CC – Trois étages sans surveillance (type 3)	15
Détails du câblage version CC – Double étage avec +VE commun et surveillance (configuration standard) (type 4)	16
Version CC – Jusqu'à 3 étages sélectionnables par l'utilisateur avec 2 étages alimentés indépendamment (type 5)	16
Détails du câblage version CC – Jusqu'à trois étages avec ou sans surveillance (configuration alternative) (type 6)	17
Détails de câblage de la version CC avec activation d'étage sans tension (type 7)	17
4.0 FONCTIONNEMENT	18
Caractéristiques directionnelles:	18
5.0 MAINTENANCE	22
6.0 CERTIFICATION/ AUTORISATIONS	23
Caractéristiques électriques:	23
7.0 CONDITIONS SPÉCIALES POUR UNE UTILISATION SÛRE	23
8.0 SÉCURITÉ FONCTIONNELLE	23
Introduction	23
Évaluation de sécurité fonctionnelle	23
Conditions d'utilisation sécurisée	24

1.0 Introduction

Cette gamme de sounders, adaptée pour les alarmes incendie ou d'utilisation générale, est conçue pour une utilisation dans des atmosphères potentiellement explosives de type gaz (G) ou gaz et poussière (GD).

Remarque: L'unité (G) a une sortie nominale plus élevée de 6 dB que l'unité (GD).

Le boîtier est fabriqué à partir d'un polyester renforcé de verre stable aux UV avec un sondeur en thermoplastique robuste. Un support de montage en acier inoxydable, des vis et fixations de couvercle sont incorporés tout au long, assurant ainsi un produit sans corrosion.


Une version pour les emplacements ordinaires listés UL est également disponible pour une utilisation en atmosphères non explosives.

2.0 Messages et avertissements de sécurité générale

Toutes les instructions et les messages de sécurité dans ce manuel doivent être suivies pour permettre l'installation sécuritaire de l'appareil. L'appareil ne doit être installé et entretenu que par du personnel correctement formé sur site/des installateurs.

- I. Pour réduire le risque d'inflammation d'atmosphères dangereuses et les chocs, ne pas brancher l'appareil jusqu'à ce que l'installation a été achevée et que le dispositif est entièrement étanche et sécurisé.
- II. Pour réduire le risque d'inflammation d'atmosphères dangereuses et les chocs, conservez l'appareil hermétiquement fermé lorsque le circuit est sous tension.
- III. Avant de retirer le couvercle pour l'installation ou l'entretien, veillez à ce l'appareil est débranché.
- IV. Après l'installation, testez le dispositif pour assurer un fonctionnement correct.
- V. Après l'installation, s'assurer qu'une copie de ce manuel est mis à la disposition de tout le personnel d'exploitation.
- VI. Lors de l'installation de l'appareil, les exigences pour la sélection, l'installation et le fonctionnement doivent se faire conformément aux règlements IEE de câblage et du "National Electrical Code" en Amérique du Nord. Des exigences nationales et/ou locales supplémentaires peuvent s'appliquer.
- VII. La connexion des câbles doit être conforme aux spécifications s'appliquant à l'application requise. MEDC recommande que tous les câbles et fils soient correctement identifiés. Veuillez consulter le schéma de câblage dans le manuel (ou diagramme séparé fourni avec l'unité).
- VIII. Ceci est un produit Ex d, pour cette raison, des presse-étoupes antidéflagrants et des bouchons d'arrêt correctement répertoriés ou certifiés doivent être utilisés.
- IX. S'assurer que seul les bouchons répertoriés corrects ou certifiés sont utilisés pour obturer les points d'entrée des presse-étoupes inutilisés et que l'indice IP/NEMA

de l'unité est maintenu. MEDC recommande l'utilisation d'un produit d'étanchéité type HYLOMAR PL32 sur les filets de tous les.

- X. presse-étoupes et bouchons et/ou d'une rondelle d'étanchéité appropriée afin de maintenir l'indice IP de l'unité.
- XI. La borne de terre interne  doit être utilisée pour une mise à la terre de protection lorsque nécessaire. Ne pas retirer la tresse de masse de la borne de terre, quand elle existe.
Pour les unités avec entrées métriques ; la continuité du presse-étoupe et la mise à la terre peuvent être réalisés avec une plaque de masse externe en option. Si la plaque externe est montée, un composé d'étanchéité de filetage comme HYLOMAR PL32 doit être employé pour maintenir la classification IP de l'appareil.
- XII. Lors de l'installation de l'appareil, MEDC recommande l'utilisation d'éléments de fixation en acier inoxydable. S'assurer que tous les écrous, boulons et fixations sont sécurisés.
- XIII. L'unité doit être positionnée de telle sorte que les débris, la poussière ou l'eau ne puissent pas s'installer dans la sondeur rentrante.
- XIV. L'unité doit être positionnée, de telle sorte que tout objet solide ne faisant pas partie de l'équipement, soit au minimum à 40 mm du joint Ex d flamepath.

3.0 Installation

L'unité est montée au moyen de 2 trous de fixation hors Ø23/64" (Ø9 mm) dans le support de montage/étrier en forme d'U. Si nécessaire, l'unité peut être initialement placée au moyen du trou central Ø33/64" (Ø13 mm) de l'étrier. L'unité peut ensuite être tournée à la position désirée et fixée au moyen des autres trous.

S'il est commandé avec l'unité, un support de montage pivotant optionnel est disponible pour permettre un plus ample réglage rotationnel de l'unité.

Les trous de fixation ont été conçus pour accepter une vis ou un boulon Ø5/16" (M8).

Accès aux bornes

Le couvercle est fixé avec 6 vis de couvercle M5 (4,0 mm A/F clé hexagonale). Une fois que les fixations du couvercle sont dévissées, le couvercle peut être soulevé de l'enceinte pour accéder à l'intérieur. Les fixations du couvercle sont captives et resteront dans le couvercle.

Une fois que la fixation au bornier est terminée, remplacez soigneusement l'ensemble du couvercle sur le corps, en évitant d'endommager les surfaces de contact. Serrez les vis du couvercle uniformément. Assurez-vous que le joint torique est correctement placé sur le couvercle pendant le remontage. Assurez-vous que l'écart maximum requis de 0,0015" (0,038 mm) est maintenu entre le couvercle et le corps du boîtier une fois assemblés.

Détails de câblage

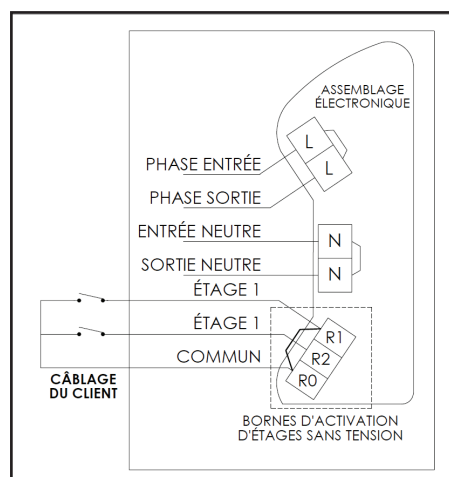
L'unité est disponible dans un certain nombre de configurations de base :

1. Entrée CA, un seul étage.
2. Entrée CA, deux étages avec sélection d'étage sans tension.
3. Entrée CC, jusqu'à 3 étages sélectionnables par l'utilisateur sans surveillance.
4. Entrée CC, jusqu'à 2 étages sélectionnables par l'utilisateur avec EOL/surveillance (configuration standard).
5. Entrée CC, jusqu'à 3 étages sélectionnables par l'utilisateur avec 2 étages alimentés indépendamment.
6. Entrée CC, jusqu'à 3 étages sélectionnables par l'utilisateur avec EOL optionnel/surveillance (configuration alternative).
7. Entrée CC, 5 étages sélectionnables par l'utilisateur avec sélection d'étage sans tension avec ou sans surveillance.

Version CA, détails du câblage (types 1 et 2)

- **Type 1:** Branchez les fils de phase et le neutre aux bornes comme détaillé dans le schéma de câblage. L'unité sera fournie avec un lien entre R1 et R0 monté sur les bornes. Quand l'alimentation est appliquée à l'unité, la tonalité de l'étage 1 sera produite comme sélectionnée sur le commutateur DIP à 5 positions.
- **Type 2:** Branchez les fils de phase et le neutre aux bornes comme détaillé dans le schéma de câblage. L'unité sera fournie sans lien monté entre R1 et R0. Branchez les fils et les interrupteurs de commande à distance sur les bornes R0, R1 et R2, comme indiqué. Lorsque l'alimentation est initialement appliquée à l'unité, aucune tonalité ne sera produite. Quand le commutateur connecté à R1 est fermé, la tonalité de l'étage 1 sera produite comme sélectionnée par le commutateur DIP à 5 positions sur la platine. Quand le commutateur connecté à R2 est fermé, la tonalité présélectionnée pour l'étage 2 est produite. Voir le tableau tonalité 2 pour les détails des tonalités présélectionnées.

Remarque : La fermeture des deux commutateurs ne produira aucun son.



Détails du câblage version CC – Trois étages sans surveillance (type 3)

Ce type peut être configuré de plusieurs manières différentes en fonction des besoins. La sélection indépendante des tonalités pour les trois étages se fait au moyen de 3 des 5 commutateurs DIP montés sur la platine :

- **Système à deux fils (étage unique):** Branchez les fils d'alimentation positif et négatif aux bornes, comme détaillé dans le schéma de câblage.
- **Système à deux fils (double étage, polarité inversée):** Branchez les fils d'alimentation positif et négatif aux bornes, comme détaillé dans le schéma de câblage. Le second étage est produit en inversant la polarité de l'alimentation de l'unité.
- **Système à 3 fils (double étage, commun +VE):** Branchez les trois fils d'alimentation aux bornes comme détaillé dans le schéma de câblage (fil 1 commun +VE et 2 fils -VE). L'étage 1 est produit lorsque l'alimentation est appliquée entre les bornes +VE commun et -VE de l'étage 1. L'étage 2 est produit lorsque l'alimentation est appliquée entre les bornes +VE commun et -VE de l'étage 2.
- **Système à 3 fils (double étage, commun -VE):** Branchez les trois fils d'alimentation aux bornes comme détaillé dans le schéma de câblage (2 fils +VE et 1 fil commun -VE). L'étage 1 est produit lorsque l'alimentation est appliquée entre les bornes +VE de l'étage 1 et -VE commun. L'étage 2 est produit lorsque l'alimentation est appliquée entre les bornes +VE de l'étage 2 et -VE commun d'étage.
- **Système à 4 fils (triple étage, commun -VE):** Branchez les 4 fils d'alimentation aux bornes comme détaillé dans le schéma de câblage (3 fils +VE et 1 fil commun -VE). L'étage 1 est produit lorsque l'alimentation est appliquée entre les bornes +VE de l'étage 1 et -VE commun. L'étage 2 est produit lorsque l'alimentation est appliquée entre les bornes +VE de l'étage 2 et -VE commun. L'étage 3 est produit lorsque l'alimentation est appliquée entre les bornes +VE de l'étage 3 et -VE commun.

Toutes les versions sont fournies avec des bornes pour permettre des connexions de boucle entrée et sortie pour les fils d'alimentation.

DB3B CC CONFIGURATION ÉTAGE UNIQUE		DB3B CC CONFIGURATION DOUBLE ÉTAGE POLARITÉ INVERSÉE	
ÉTAGE 1 +VE ENTRÉE	1	ÉTAGE 1 +VE ENTRÉE/ÉTAGE 2 -VE ENTRÉE	1
ÉTAGE 1 -VE ENTRÉE	2	ÉTAGE 1 -VE ENTRÉE/ÉTAGE 2 +VE ENTRÉE	2
NON UTILISÉ	3	NON UTILISÉ	3
NON UTILISÉ	4	NON UTILISÉ	4
ÉTAGE 1 +VE SORTIE	5	ÉTAGE 1 +VE SORTIE/ÉTAGE 2 -VE SORTIE	5
ÉTAGE 1 -VE SORTIE	6	ÉTAGE 1 -VE SORTIE/ÉTAGE 2 +VE SORTIE	6
NON UTILISÉ	7	NON UTILISÉ	7
NON UTILISÉ	8	NON UTILISÉ	8

DB3B CC CONFIGURATION DOUBLE ÉTAGE À POSITIF COMMUN		DB3B CC CONFIGURATION DOUBLE ÉTAGE À NÉGATIF COMMUN		DB3B CC CONFIGURATION TRIPLE ÉTAGE À NÉGATIF COMMUN	
COMMUN + VE ENTRÉE	1	ÉTAGE 1 +VE ENTRÉE	1	ÉTAGE 2 +VE ENTRÉE	1
ÉTAGE 1 - VE ENTRÉE	2	COMMUN -VE ENTRÉE	2	ÉTAGE 3 +VE ENTRÉE	2
NON UTILISÉ	3	NON UTILISÉ	3	ÉTAGE 1 +VE ENTRÉE	3
ÉTAGE 2 - VE ENTRÉE	4	ÉTAGE 2 +VE ENTRÉE	4	COMMUN -VE ENTRÉE	4
COMMUN + VE SORTIE	5	ÉTAGE 1 +VE SORTIE	5	ÉTAGE 2 +VE SORTIE	5
ÉTAGE 1 - VE SORTIE	6	COMMUN -VE SORTIE	6	ÉTAGE 3 +VE SORTIE	6
NON UTILISÉ	7	NON UTILISÉ	7	ÉTAGE 1 +VE SORTIE	7
ÉTAGE 2 - VE SORTIE	8	ÉTAGE 2 +VE SORTIE	8	COMMUN -VE SORTIE	8

Détails du câblage version CC – Double étage avec +VE commun et surveillance (configuration standard) (type 4)

Branchez jusqu'à 4 fils d'alimentation aux bornes comme détaillé dans le schéma de câblage. L'étage 1 est produit lorsque l'alimentation est appliquée entre les bornes +VE commun et -VE de l'étage 1. L'étage 2 est produit lorsque l'alimentation est appliquée entre les bornes +VE commun et -VE de l'étage 2.

La fonctionnalité de surveillance est obtenue lorsque l'alimentation est connectée entre les bornes M1 et M2.

Remarque: les bornes surveillées ne sont pas dépendantes de la polarité.

Version CC – Jusqu'à 3 étages sélectionnables par l'utilisateur avec 2 étages alimentés indépendamment (type 5)

Branchez jusqu'à 4 fils d'alimentation aux bornes comme détaillé dans le schéma de câblage. L'étage 1 est produit quand l'alimentation est appliquée entre les bornes de l'étage 1. L'étage 2 est produit quand l'alimentation est appliquée entre les bornes de l'étage 2. Les étages 1 et 2 peuvent être alimentés à partir de sources indépendantes. L'étage 3 est produit lorsque l'alimentation est appliquée à la fois aux bornes des étages 1 et 2.

Des résistances peuvent être ajoutées sur les bornes, comme illustré, à des fins de surveillance. La fonctionnalité de surveillance est disponible tout le temps, si un relais de surveillance approprié est utilisé dans le système.

DB3B CC CONFIGURATION DOUBLE ÉTAGE À NÉGATIF COMMUN AVEC SURVEILLANCE	
COMMUN +VE / SURVEILLÉ 1 ENTRÉE	1
ÉTAGE 1 -VE ENTRÉE	2
SURVEILLÉ 2 ENTRÉE	3
ÉTAGE 2 -VE ENTRÉE	4
COMMUN +VE / SURVEILLÉ 1 SORTIE	5
ÉTAGE 1 -VE SORTIE	6
SURVEILLÉ 2 SORTIE	7
ÉTAGE 2 -VE SORTIE	8

FONCTIONNALITÉ DE SURVEILLANCE DISPONIBLE UNIQUEMENT QUAND UNE RÉSISTANCE EST INSTALLÉE

DB3B CC CONFIGURATION DOUBLE ÉTAGE INDÉPENDANTE AVEC SURVEILLANCE		
ÉTAGE 3	ÉTAGE 2 -VE ENTRÉE	1
	ÉTAGE 2 +VE ENTRÉE	2
	ÉTAGE 1 -VE ENTRÉE	3
	ÉTAGE 1 +VE ENTRÉE	4
	ÉTAGE 2 -VE SORTIE	5
	ÉTAGE 2 +VE SORTIE	6
	ÉTAGE 1 -VE SORTIE	7
	ÉTAGE 1 +VE SORTIE	8

LA FONCTIONNALITÉ DE SURVEILLANCE EST DISPONIBLE TOUT LE TEMPS UTILISÉE AVEC UN RELAIS DE SURVEILLANCE APPROPRIÉ

Détails du câblage version CC – Jusqu'à trois étages avec ou sans surveillance (configuration alternative) (type 6)

Remarque : Cette configuration alternative doit être spécifiée à la commande de l'unité.

Ce type peut être connecté, soit à un commun des trois étages, configuration -VE, soit si un EOL optionnel est spécifié, il peut être configuré à un commun des deux étages, configuration -VE avec surveillance.

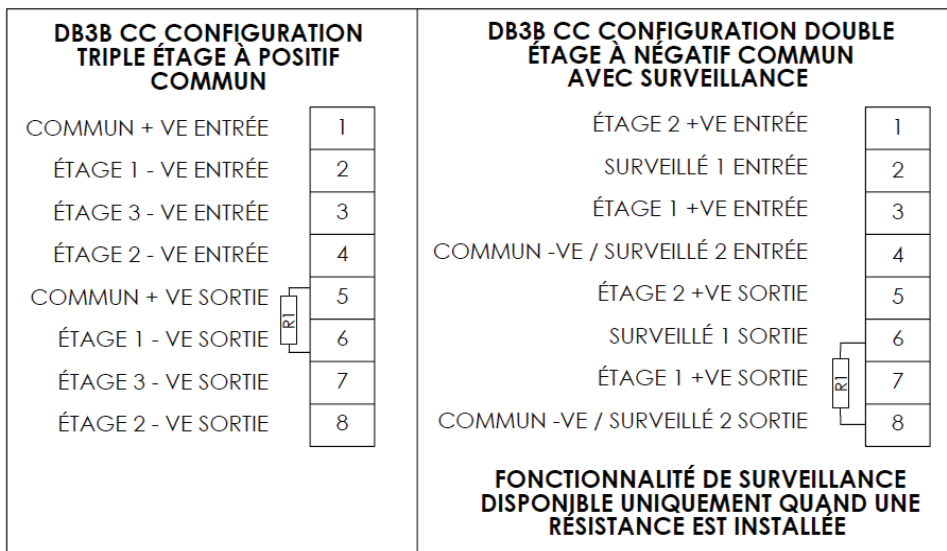
- **Système à 4 fils (triple étage, commun +VE) :**
Branchez 4 fils d'alimentation aux bornes comme détaillé dans le schéma de câblage (fil 1 commun +VE et 3 fils -VE). L'étage 1 est produit lorsque l'alimentation est appliquée entre les bornes +VE commun et -VE de l'étage 1. L'étage 2 est produit lorsque l'alimentation est appliquée entre les bornes

+VE commun et -VE de l'étage 2. L'étage 3 est produit lorsque l'alimentation est appliquée entre les bornes +VE commun et -VE de l'étage 3.

- **Système à 4 fils (double étage, commun -VE avec surveillance) :** Branchez 4 fils d'alimentation aux bornes comme détaillé dans le schéma de câblage. L'étage 1 est produit quand l'alimentation est appliquée entre les bornes du commun -VE et +VE de l'étage 1. L'étage 2 est produit quand l'alimentation est appliquée entre les bornes du commun -VE et +VE de l'étage 2.

La fonctionnalité de surveillance est obtenue lorsque l'alimentation est connectée entre les bornes M1 et M2.

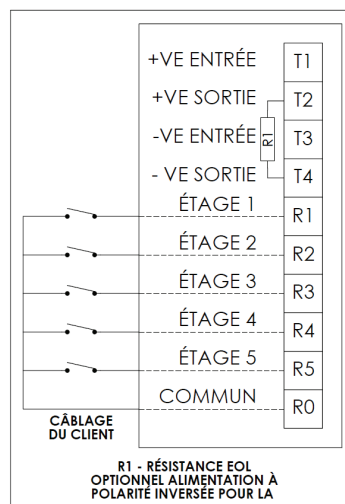
Remarque : les bornes surveillées ne sont pas dépendantes de la polarité.



Détails de câblage de la version CC avec activation d'étage sans tension (type 7)

Branchez les fils d'alimentation positif (+VE) et négatif (-VE) aux bornes, comme indiqué dans le schéma de câblage. Quand l'alimentation est appliquée à l'unité, aucune tonalité ne sera produite initialement. Branchez les fils et les interrupteurs de commande à distance sur les bornes R0 à R5, comme indiqué. Quand le commutateur connecté à R1 est fermé, la tonalité de l'étage 1 sera produite comme sélectionnée par le commutateur DIP à 5 positions sur la platine. Quand l'un des autres commutateurs connectés de R2 à R5 est fermé, la tonalité présélectionnée pour les étages 2 à 5 est produite. Voir le tableau tonalité 2 pour les détails des tonalités présélectionnées.

Remarque: La fermeture de plus d'un commutateur à la fois ne produira aucune tonalité.



4.0 Fonctionnement

La sirène est disponible en plusieurs versions de tensions d'entrée en CA et CC.

Pour les versions CA, les unités 120 V CA et 240 V CA sont conformes aux limites des alimentations réglementées, pour toutes les autres versions AC, la tension nominale de fonctionnement est indiquée sur l'étiquette de l'unité et la tolérance de tension d'alimentation est de $\pm 10\%$.

Pour les versions 12-48 V CC, la gamme de tension d'entrée absolue est de 11,0 V CC à 58,0 V CC.

L'unité est équipée d'une commande de volume, qui est positionnée sur la partie supérieure de la platine du circuit imprimé. Le volume maximum est obtenu lorsque ce bouton est tourné à fond dans le sens horaire. Quand il est tourné à fond dans le sens antihoraire, l'unité n'émet aucun son. Pour l'utilisation en alarme incendie, si le contrôle n'est pas réglé au volume maximum, assurez-vous que la sortie de la sondeur est conforme au niveau minimum requis par les normes pertinentes.

Avertissement: Ne tentez pas de tourner la commande de volume delà de ses limites de mouvement, cela pourrait endommager l'unité.

Étages

Pour toutes les versions, un commutateur DIP à 5 positions sélectionne l'étage nécessaire pour chaque étage. Les paramètres pour les étages standards sont montrés dans le tableau ci-dessous.

Tableau 1 tonalité :

N° tonalité	Fréquence tonalité/description	Réglage de l'interrupteur 12345	Description de la tonalité
1	Étages alternatifs 800/ 970 Hz à 1/4 sec	11111	
2	Balayage 800/970 Hz à 7 Hz	11110	Balayage rapide (LF)
3	Balayage 800/970 Hz à 1 Hz	11101	Balayage moyen (LF)
4	Continu à 2850 Hz	11100	
5	Balayage 2400-2850 Hz à 7 Hz	11011	Balayage rapide
6	Balayage 2400-2850 Hz à 1 Hz	11010	
7	Glissé lent	11001	Glissé lent
8	Balayage 1200-500 Hz à 1 Hz	11000	Étage Din
9	Étages alternatifs 2400 /2850 Hz à 2 Hz	10111	
10	Étage intermédiaire de 970 Hz à 1 Hz	10110	Alarme de secours (LF)
11	Étages alternatifs 800/970 Hz à 8 Hz	10101	
12	Étage intermédiaire de 2850 Hz à 1 Hz	10100	Alarme de secours (LF)
13	970 Hz à 1/4 sec on 1 sec off	10011	
14	Continu à 970 Hz	10010	
15	554 Hz pendant 0.1 S /440 Hz pendant 0,4 S	10001	Tonalité d'incendie française
16	Int 660 Hz 150 ms on 150 ms off	10000	Tonalité d'incendie suédoise
17	Int 660 Hz à 1,8 sec on 1,8 sec off	01111	Tonalité d'incendie suédoise
18	Int 660 Hz à 6,5 sec on 13 sec off	01110	Tonalité d'incendie suédoise
19	Continue 660 Hz	01101	Tonalité d'incendie suédoise
20	Alternative 554/440 Hz à 1 Hz	01100	Tonalité d'incendie suédoise
21	Int 660 Hz à 7/8 Hz	01011	Tonalité d'incendie suédoise
22	Int 2850 Hz 150 ms on 100 ms off	01010	Passage pour piétons décalé
23	Balayage 800-970 Hz à 50 Hz	01001	Basse fréq. Bourdonnement
24	Balayage 2400-2850 Hz à 50 Hz	01000	Haute fréq. Bourdonnement
25	3x 970 Hz impulsions 0,5 off, 1,5 off	00111	
26	3X2850 Hz impulsions 0,5 on/0,5 off, 1,5 off	00110	
27	Int 3100 Hz 0,32 s on /0,68 s off	00101	
28	Continue 1400 Hz	00100	
29	Rechange/tonalité personnalisée	00011	
30	Rechange/tonalité personnalisée	00010	
31	Rechange/tonalité personnalisée	00001	
32	Rechange/tonalité personnalisée	00000	

Remarque: Si des tonalités spéciales ont été demandées au moment de la commande, veuillez voir la liste séparée des tonalités fournie avec l'unité pour le détail de ces tonalités spéciales et de leurs paramétrages respectifs du commutateur.

Tableau 2 tonalité: Détails des tonalités pré-sélectionnées pour les étages d'activation sans tension:

N° tonalité	Fréquence tonalité/description	Réglage de l'interrupteur 12345	Sélection de l'étage sans tension de la tonalité N°				
			CC				
Étage 1			Étage 2	Étage 3	Étage 4	Étage 5	Étage 2
1	Tonalités alternatives 800/970Hz à 1/4 sec	11111	T14	T10	T11	T8	T14
2	Balayage 800/970Hz à 7 Hz	11110	T14	T10	T1	T8	T14
3	Balayage 800/970Hz à 1 Hz	11101	T14	T10	T1	T8	T14
4	Continu à 2850Hz	11100	T14	T10	T1	T8	T14
5	Balayage 2400-2850Hz à 7Hz	11011	T14	T10	T1	T8	T14
6	Balayage 2400-2850Hz à 1Hz	11010	T14	T10	T1	T8	T14
7	Glissé lent	11001	T14	T10	T1	T8	T14
8	Balayage 1200-500 Hz à 1Hz	11000	T14	T10	T1	T6	T14
9	Tonalités alternatives 2400/2850 Hz à 2Hz	10111	T14	T10	T1	T8	T14
10	Tonalité intermédiaire 970 Hz à 1 Hz	10110	T14	T12	T1	T8	T14
11	Tonalités alternatives 800/970 Hz à 7/8 Hz	10101	T14	T10	T1	T8	T14
12	Tonalité intermédiaire à 2850 Hz à 1 Hz	10100	T14	T10	T1	T8	T14
13	970Hz à 1/4 sec on 1 sec off	10011	T14	T10	T1	T8	T14
14	Continu à 970Hz	10010	T28	T10	T1	T8	T28
15	554Hz pendant 0.1 S /440Hz pendant 0,4 S	10001	T14	T10	T1	T8	T14
16	Int 660 Hz 150 ms on 150 ms off	10000	T14	T10	T1	T8	T14
17	Int 660Hz à 1,8 sec on 1,8 sec off	01111	T14	T10	T1	T8	T14
18	Int 660Hz à 6,5 sec on 13 sec off	01110	T14	T10	T1	T8	T14
19	Continue 660 Hz	01101	T14	T10	T1	T8	T14
20	Alternative 554/440 Hz à 1 Hz	01100	T14	T10	T1	T8	T14
21	Int 660 Hz à 7/8 Hz	01011	T14	T10	T1	T8	T14
22	Int 2850 Hz 150 ms on 100 ms off	01010	T14	T10	T1	T8	T14
23	Balayage 800-970Hz à 50Hz	01001	T14	T10	T1	T8	T14
24	Balayage 2400-2850Hz à 50Hz	01000	T14	T10	T1	T8	T14
25	3x 970 Hz impulsions 0,5 off, 1,5 off	00111	T14	T10	T1	T8	T14
26	3X2850 Hz impulsions 0,5 on/0,5 off, 1,5 off	00110	T14	T10	T1	T8	T14
27	Int 3100 Hz 0,32 s on /0,68 s off	00101	T14	T10	T1	T8	T14
28	Continue 1400 Hz	00100	T14	T10	T1	T8	T14
29	Rechange/tonalité personnalisée	00011					
30	Rechange/tonalité personnalisée	00010					
31	Rechange/tonalité personnalisée	00001					
32	Rechange/tonalité personnalisée	00000					

Sortie de Pression Acoustique

Les niveaux d'audibilité selon UL464 et le niveau de pression acoustique selon CAN / ULC-S525 sont tels que testés ci-dessous sur les tons 4, 14, 19 et 28:

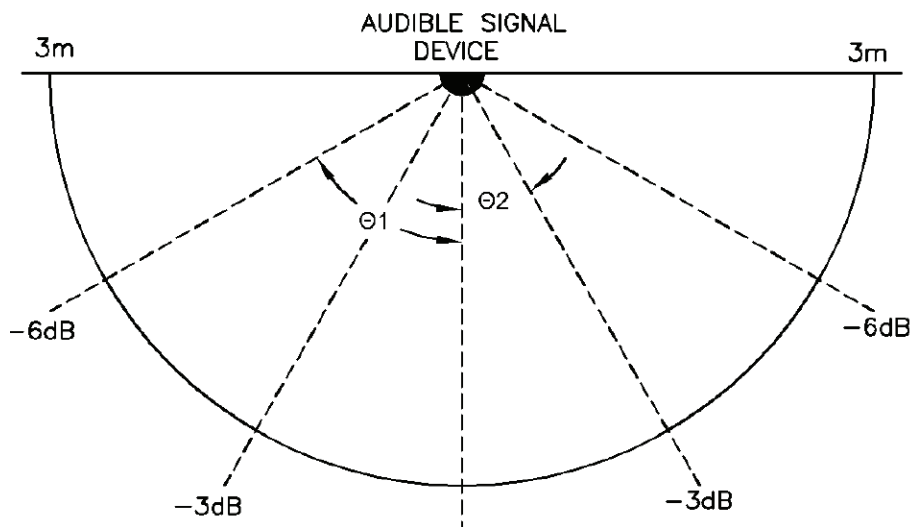
Option de fusée	Numéro de tonalité	Cote d'audibilité UL464 (dBA à 10ft)	CAN/ULC-S525 (dBA à 3m)
Long Flare	4	84.9	96.9
Long Flare	14	95.4	99.4
Long Flare	19	92.5	92.2
Long Flare	28	96.8	105.4
Short Flare	4	85.4	94.6
Short Flare	14	94.2	94.9
Short Flare	19	83.2	88.3
Short Flare	28	96.1	101.5

Caractéristiques Directionnelles.

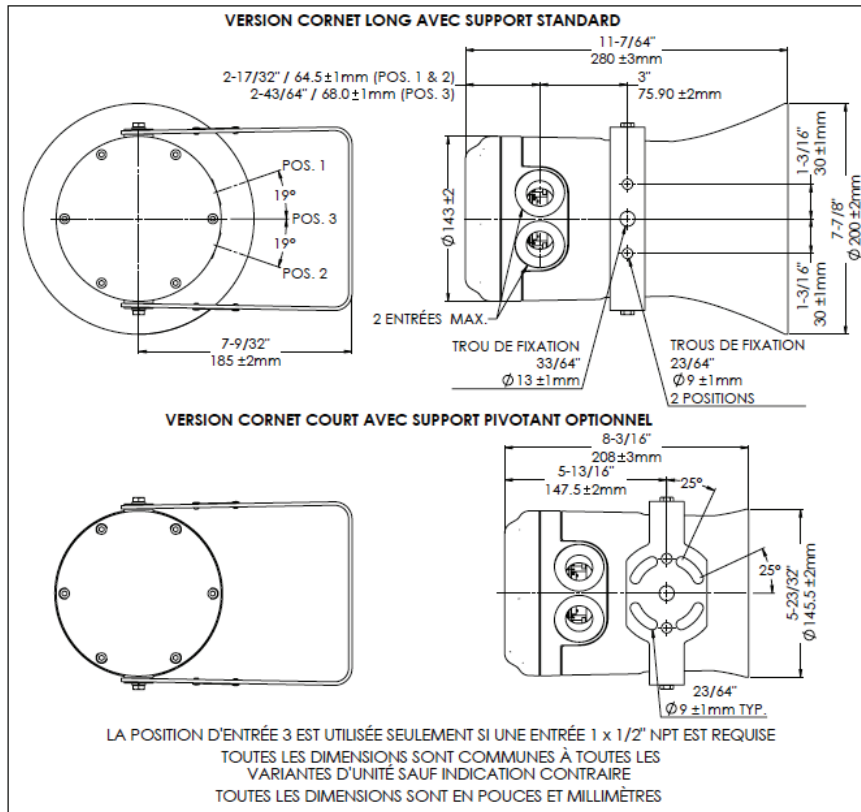
Caractéristiques directionnelles SPL mesurées conformément à CAN / ULC-S525, mesurées sur la tonalité 19.

Angle	OSPL (dBA)	Angle	OSPL (dBA)
Axe horizontal de la version courte évasée			
Référence (90°)	89.9	Référence (90°C)	89.9
139	86.9 (-3 dBA)	46	86.9 (-3 dBA)
148	83.9 (-6 dBA)	35	83.9 (-6 dBA)
180	81.8	0°	81.5
Axe vertical en version courte évasée			
Référence (90°)	89.8	Référence (90°)	89.8
143	86.8 (- 3 dBA)	47	86.8 (-3 dBA)
150	83.8 (- 3 dBA)	35	83.8 (-6 dBA)
180	82.2	0°	81.2

Angle	OSPL (dBA)	Angle	OSPL (dBA)
Axe horizontal de la version longue évasée			
Référence (90°)	93.9	Référence (90°C)	93.9
165	90.9 (-3 dBA)	20	90.9 (-3 dBA)
*	87.9 (-6 dBA)	*	87.9 (-6 dBA)
180	92.0	0°	91.9
Axe vertical en version longue évasée			
Référence (90°)	93.7	Référence (90°)	93.7
*	90.7 (- 3 dBA)	24	90.7 (-3 dBA)
*	87.7 (- 3 dBA)	*	87.7 (-6 dBA)
180	91.9	0°	91.8



Disposition générale



5.0 Maintenance

Pendant la durée de vie de l'unité, celle-ci devrait exiger peu ou pas d'entretien. GRP résistera à l'attaque de la plupart des acides, des alcalis et des produits chimiques et est aussi résistant aux acides et aux alcalis concentrés comme la plupart des produits métalliques.

Toutefois, si des conditions environnementales anormales ou inhabituelles se produisent en raison de dommages à l'installation ou d'accident, etc., alors un contrôle visuel est recommandé.

Si l'unité nécessite un nettoyage, alors nettoyer seulement l'extérieur avec un chiffon humide pour éviter l'accumulation de charges électrostatiques.

En cas de panne, l'unité peut être réparée par MEDC.

Si vous avez acquis une importante quantité d'unités, il est alors recommandé de prévoir des pièces de rechange disponibles. Veuillez discuter de vos besoins avec les ingénieurs technico-commerciaux de MEDC.

6.0 Certification/autorisations

Listé UL pour utilisation aux USA (USL) et Canada (CNL) - signal sonore applicable pour alarme incendie ou utilisation générale.

Veuillez vous référer au marquage sur l'unité pour plus de détails des approbations spécifiques

(USL) Class I, Zone 1 AEx db IIC T*
Zone 21 AEx tb IIIC

(CNL) Class I, Zone 1 Ex db IIC Gb T*
Class II, Zone 21, Ex tb IIIC Db

Convient également pour:
Class I, Div. 2 Groups A, B, C, D
Class II, Div. 2, Groups F et G
Class III, Div. 1

Normes applicables:
(USL) UL 60079-0, Edition 7
UL 60079-1, Edition 7
ANSI/ISA 60079-31, Edition 2
UL 464, Edition 9

(CNL) CSA C22.2 No. 60079-0:19
CSA C22.2 No. 60079-1:19
CSA C22.2 No. 60079-31, Edition 2
CAN/ULC-S525-07

T-nominale:

Puissance max. nominale	Tamb.	T-nominale (T*)
15W	-67 °F à +185 °F (-55 °C à +85 °C)	T4/T135°C
	-67 °F à +131 °F (-55 °C à +55 °C)	T5/T100°C
	-67 °F à +104 °F (-55 °C à +40 °C)	T6/T85°C

Caractéristiques électriques:

La DB3B est disponible dans un certain nombre de différentes tensions d'entrée:

- 12 V à 48 V CC, 716 mA à 171 mA, Application spéciale*
- 110 V CA, 50/60 Hz, 122 mA, Application spéciale.
- 120 V CA, 50/60 Hz, 110 mA, Régulé.
- 220/230/ V CA, 50/60 Hz, 63 mA, Application spéciale.
- 240 V CA, 50/60 Hz, 58 mA, Régulé.

***Remarque:** la version des applications spéciales CC est adaptée pour une utilisation avec une alimentation 24 V CC régulée.

7.0 Conditions spéciales pour une utilisation sûre

- En cas de remplacement, les vis de fixation du couvercle seront en acier inoxydable de grade A2-70 ou plus.
- La peinture et la finition des surfaces, différentes de celles appliquées par le fabricant, ne sont pas autorisées.

- Quand l'unité est utilisée dans une atmosphère poussiéreuse, les entrées de câbles utilisées doivent être scellées afin de maintenir l'indice IP6X suivant les codes d'installation applicables.
- Avertissement** – Ne pas ouvrir quand une atmosphère explosive est présente.
- Pour des connexions d'alimentation, augmentation de la température du câble 25K.
- Avertissement** – sur les unités peintes, pour éviter l'accumulation de charges électrostatiques, nettoyer le boîtier avec un chiffon humide.
- Avertissement** – afin de réduire le risque d'inflammation des atmosphères dangereuses, les ouvertures de conduits doivent avoir un raccord étanche relié à 50mm de l'enceinte.
- Avertissement** – Ce produit n'est pas non incendiaire. Il s'agit d'un produit Zone 1 Ex d. Lorsqu'il est utilisé dans une application de division 2 par équivalence, il doit être installé en tant que produit Zone 1 Ex d pour maintenir le type de protection.

8.0 Sécurité fonctionnelle

Introduction

Le générateur de sons DB3B a été conçu pour être utilisé dans des atmosphères potentiellement explosives et des conditions environnementales sévères. Les boîtiers en polyester renforcé de fibres de verre sont adaptés à une utilisation off-shore ou on-shore, où un poids léger et un haut niveau de résistance à la corrosion sont nécessaires.

La fonction de sécurité du générateur de sons consiste à fournir un avertissement sonore pré-déterminé lorsque nécessaire, si la tension correcte est appliquée à l'unité. La version CC du générateur de sons est conçue pour fonctionner à une tension d'alimentation entre 12-48 Vcc.

Dans des conditions de fonctionnement sans défaillance (normales), le générateur de sons DB3B émet un avertissement sonore sur demande du système.

En cas de panne/défaillance, le mode de panne du générateur de sons est indiqué par l'échec de l'émission de l'avertissement sonore. Pour de plus amples détails sur le taux d'échec/défaillance associé à ce mode de panne, voir le tableau ci-dessous.

Évaluation de sécurité fonctionnelle

Le générateur de sons est destiné à être utilisé dans un système de sécurité conforme aux exigences IEC61508.

UL a procédé à une étude «Effet des modes de panne et analyse du diagnostic» (Failure Modes Effect and Diagnostic Analysis : FMEDA) sur le générateur de sons DB3B par rapport aux exigences.

IEC 61508-2, avec un intervalle entre essais de sûreté de 8 760 heures.

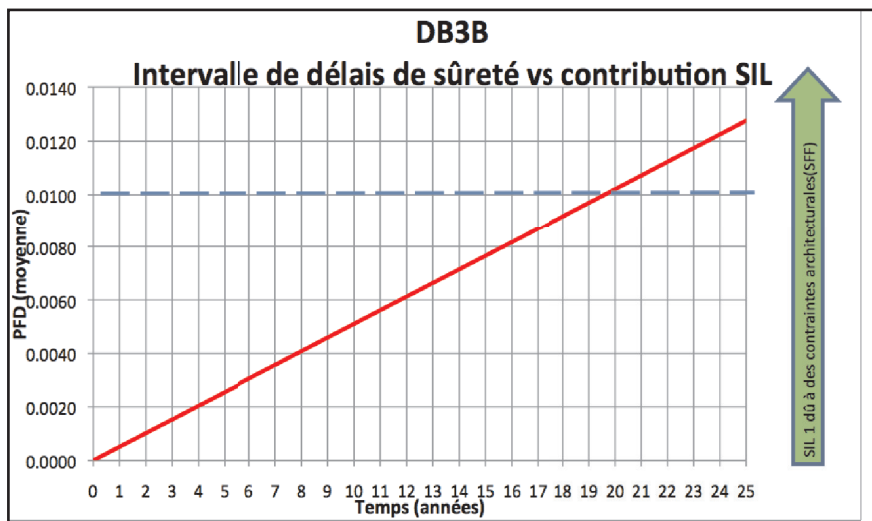
Les résultats sont présentés ci-dessous et sont basés sur la Route 1_H.

Le générateur de sons a été classé comme appareil de type B.

Générateur de sons DB3B

Fonction de sécurité du générateur de sons DB3B:
'Fournir un avertissement sonore pré-décrié lorsque nécessaire'

Résumé des clauses 2/7.4.2 et 2/7.4.4	Générateur de sons DB3B Mode simple (1oo1)	Générateur de sons DB3B Mode redondant (1oo2)	Verdict
Contraintes architecturales Fraction à épreuve de panne (Safe Failure Fraction ou SFF)	HFT=0 65,9%	HFT=1 65,9%	Type B SIL 1(1oo1) SIL 2 (1oo2)
Défaillances de matériel aléatoires: [h ⁻¹]	λ_{DD} λ_{DU} 6,5E+09 1,16E-07	6,5E+10 1,16E-08	
Défaillances de matériel aléatoires: [h ⁻¹]	λ_{SD} λ_{SU} 0,00E+00 2,18E-07	0,00E+00 2,18E-08	
PFH à PTI = 8 760 heures MTTR (moyenne des temps techniques de réparation) = 8 heures	5,09E-04	5,09E-05	SIL 3(1oo1)
Fréquence moyenne de défaillance dangereuse (Demande élevée - PFH) [h ⁻¹]	1,16E-07	1,16E-08	SIL 2(1oo1)
Conformité d'intégrité de sécurité du matériel		Route 1 _H	
Conformité d'intégrité de sécurité systématique		Route 1 _S	
Capacité systématique (SC1, SC2, SC3, SC4)		SC2	
Intégrité de sécurité du matériel réalisée	Limitée à : SIL 1 (1oo1) et SIL 2 (1oo2) en raison de la valeur SFF.		



Conditions d'utilisation sécurisée

Les conditions suivantes s'appliquent à l'installation, au fonctionnement et à l'entretien de l'équipement évalué. Le non-respect de ces conditions peut compromettre l'intégrité de sécurité de l'équipement évalué:

1. L'utilisateur est tenu de se conformer aux exigences énoncées dans la documentation utilisateur fournie par le fabricant (ce Manuel de sécurité et Manuel technique) concernant tous les aspects appropriés de fonctionnement sécurisé, tels que les applications d'utilisation, l'installation, le fonctionnement, l'entretien, les essais de sûreté, les taux maximum, les conditions environnementales, les réparations, etc.
2. Le choix de cet équipement en vue d'une utilisation de ses fonctions de sécurité, ainsi que son installation, sa configuration, sa validation globale, son entretien et toutes réparations, ne doit être effectué que par du personnel compétent dans le respect des conditions et recommandations émises par le fabricant dans la documentation utilisateur.
3. **Toutes les informations relatives à une quelconque défaillance de fonctionnement de ce produit doivent être collectées dans le cadre d'un processus de gestion de la fiabilité (par ex. : IEC 60300-3-2) et transmises au fabricant.**
4. L'unité doit être testée à intervalles réguliers afin d'identifier tout dysfonctionnement, conformément à ce manuel de sécurité.
5. Si le produit est utilisé dans une installation redondante, le niveau d'intégrité de sécurité du matériel et d'intégrité de sécurité systématique conforme à SIL 2 peut être atteint. L'installation doit garantir une protection suffisante contre les défaillances d'origine commune et assurer l'indépendance par rapport aux défaillances en cascade.

