

Leviton Load Center Smart Circuit Breakers



APPLICATION

Leviton Smart Circuit Breakers provide users with remote energy management capabilities like real-time monitoring, remote tripping and alerts if critical loads need to be addressed. View energy consumption trends over days, weeks, months or years and calculate approximate total energy cost per month.

Intuitive diagnostics such as LEDs on electronic circuit breakers indicate fault type and color indicators in each rocker handle display operational status at-a-glance. Remote load center access helps contractors securely troubleshoot issues.

FEATURES AND BENEFITS

- **Smart:** Homeowners who choose Smart Circuit Breakers can connect to the My Leviton app and enjoy easy access to their load center's data via a smartphone, tablet or desktop
- **Simple:** Features an all plug-on installation - no wiring to circuit breakers up to 60A for copper wire, and 50A for aluminum wire
- **Intuitive:** Line-side powered LEDs stay lit, even after a circuit breaker has tripped, and identify cause of trip. Color indicators in each rocker handle designate operational status at-a-glance (ON/OFF/Tripped)
- **Control:** Remotely turn OFF any circuit breaker¹
- **Monitor:** View real-time energy consumption in the My Leviton app: total aggregate, individual circuit, or trends by day, week, month, and year

¹NOT applicable to Main Breaker. All circuit breakers must be manually turned back on.

PRODUCT SPECIFICATIONS

PRODUCT FEATURES

Dimensions:

Single Pole 3.9" H x 1.0" W x 3.1" D

Double Pole 3.9" H x 2.0" W x 3.1" D

Operating Temperature: -40°C to 85°C (-40°F to 185°F)

Warranty: 10-Year Limited, 2-Years for electronic components

Weight: Single Pole 0.42 lbs.

Double Pole 0.85 lbs.

Wiring: All Plug-on up to 60A for Cu wire, 50A for Al wire

Electrical Specifications

Amperage: Refer to catalog number tables

Breaker Technology: Hydraulic Magnetic

Short Circuit Current Rating: 10 KA, Series Rated 22KA with Leviton

Main Breaker; see Series Ratings Tables for additional Ratings

Type: Available in Standard, AFCI, GFCI, AFCI/GFCI, GFPE

Standards & Certifications

CSA-C22.2 No. 5-02

EMC Compatible

FCC

RoHS

UL 489, HACR rated

UL 943 (GFCI), where applicable

UL 1699 (AFCI), where applicable

ORDERING INFORMATION

Standard



Amp Rating	1-Pole 120V	2-Pole 120/240V
15	LB115-S	LB215-S
20	LB120-S	LB220-S
25	LB125-S	LB225-S
30	LB130-S	LB230-S
35	-	LB235-S
40	-	LB240-S
45	-	LB245-S
50	-	LB250-S
60	-	LB260-S
70-125	-	LSBMA



**Smart Breaker Metering Accessory; CT-based design, cannot remotely update or trip breaker

Smart AFCI



Amp Rating	1-Pole 120V
15	LB115-AS
20	LB120-AS

Smart AFCI/GFCI Dual Function



Amp Rating	1-Pole 120V
15	LB115-DS
20	LB120-DS

Smart GFCI - 5 mA Ground-Fault Protection of Personnel



Amp Rating	1-Pole 120V	2-Pole 120/240V
15	LB115-GS	LB215-GS
20	LB120-GS	LB220-GS
25	LB125-GS	LB225-GS
30	LB130-GS	LB230-GS
40	-	LB240-GS
50	-	LB250-GS
60	-	LB260-GS

Smart GFPE - 30 mA Ground-Fault Protection of Equipment



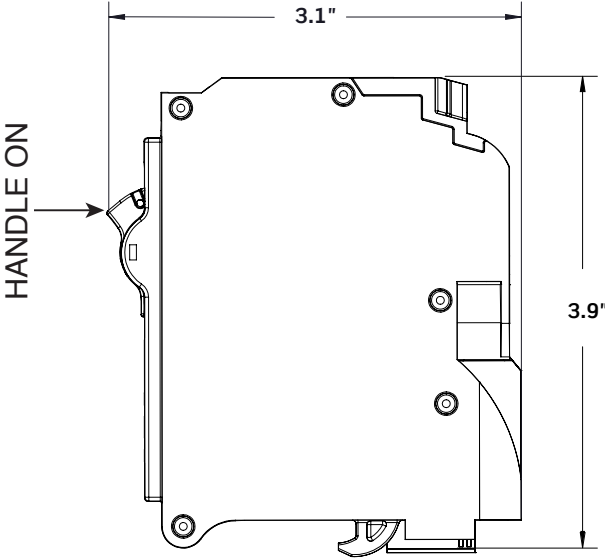
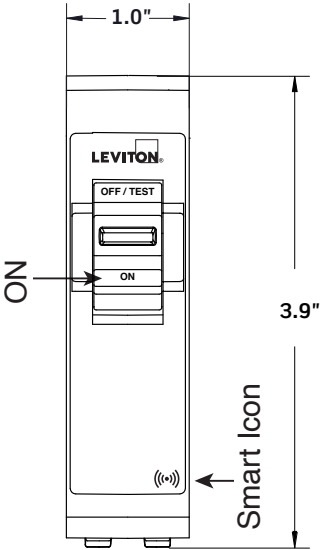
Amp Rating	1-Pole 120V	2-Pole 120/240V
15	LB115-ES	LB215-ES
20	LB120-ES	LB220-ES
25	LB125-ES	LB225-ES
30	LB130-ES	LB230-ES
40	-	LB240-ES
50	-	LB250-ES
60	-	LB260-ES



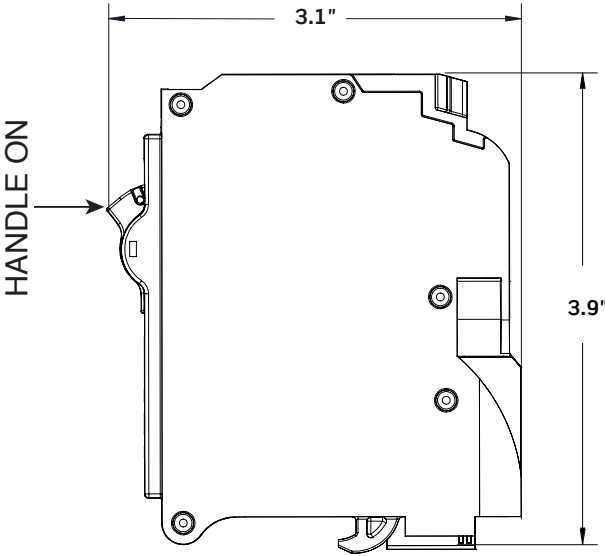
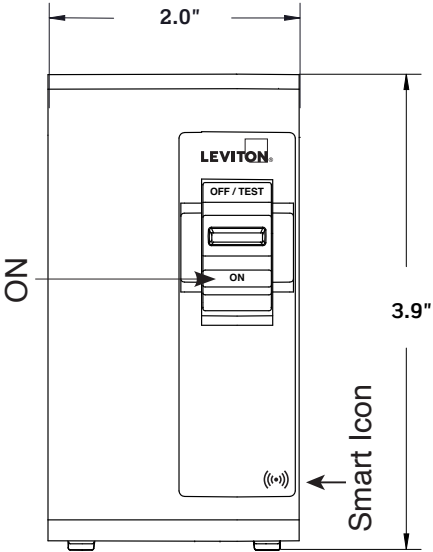
Catalog Number	Description
LDATA	Smart Breaker Data Hub

The LDATA Smart Hub collects data from smart circuit breakers and transmits it securely to the router.

SMART CIRCUIT BREAKERS DIMENSIONAL DRAWINGS



Single Pole



Double Pole

HANDLE OPERATION AND LED DIAGNOSTICS

Handle Window	"AF" LED	"GF" LED	Device Status
GREEN	OFF	OFF	ON
RED	OFF	OFF	Overload or short-circuit trip
RED	ON (solid)	OFF	Series arc-fault trip
RED	OFF	ON (solid)	Ground-fault trip or Parallel arc-fault to Ground
RED	ON (blinking)	OFF	0.5 sec. delay -Parallel arc-fault trip
RED	OFF	ON (blinking)	3 sec. delay - Neutral Miswired
RED	ON (blinking)	ON (blinking)	0.1 sec. delay -Electronics self-test failure (breaker will be locked out and must be replaced)
WHITE	OFF	OFF	Manual OFF



Leviton Manufacturing Co., Inc.

Tech Line: 1-800-824-3005

Mon-Fri 8am-10pm EST, Saturday 9am-7pm EST, Sunday 9am-5pm EST

For 24/7 product support visit www.leviton.com/support

Visit our Website at: www.leviton.com/loadcenter

© 2023 Leviton Manufacturing Co., Inc. All rights reserved.
All trademarks are the property of their respective owners.

