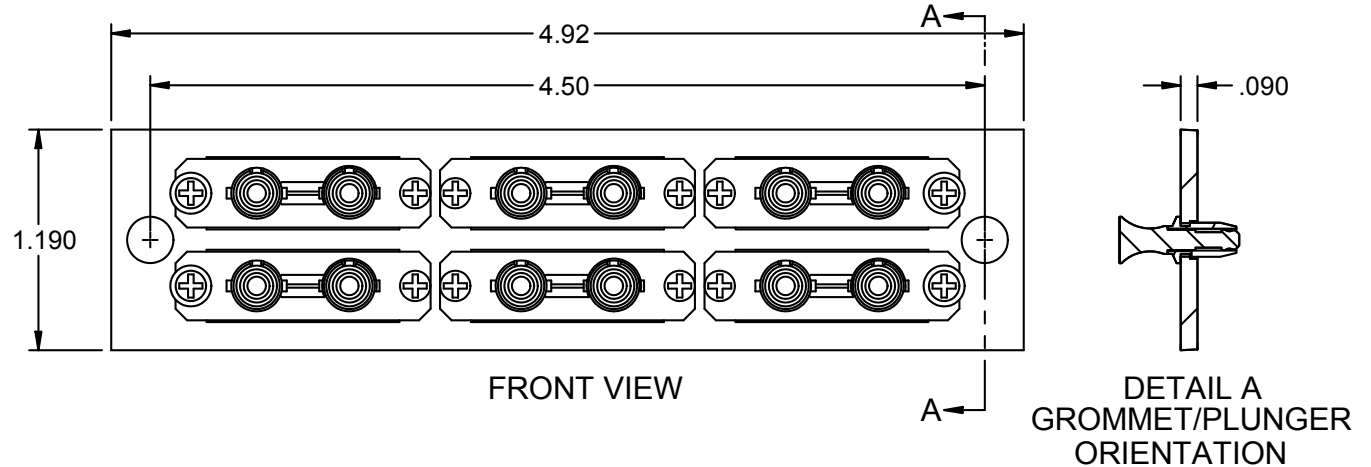
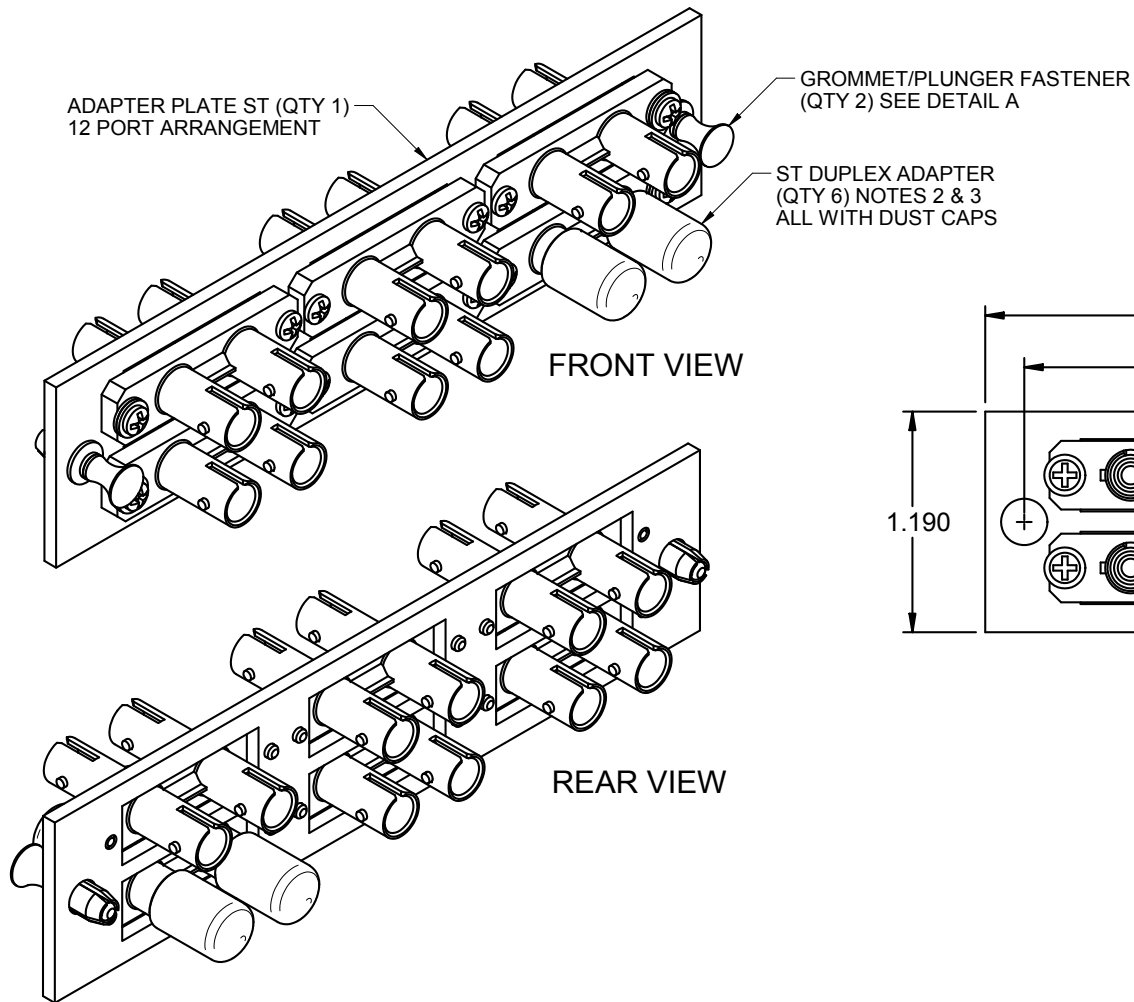


"OPTICAL CABLE CORPORATION (OCC)
RESERVES THE RIGHT TO REVISE ANY
AND ALL DESIGN SPECIFICATIONS."

UNCONTROLLED COPY



NOTES: UNLESS OTHERWISE SPECIFIED.

- EACH FIBER ADAPTER KIT IS SUPPLIED WITH COMPONENTS SHOWN.
- ADAPTER SPECIFICATIONS (MULTIMODE) 50µm, 50µm 10 GIG, 62.5µm
INSERTION LOSS (AVERAGE): PHOSPHOR BRONZE SLEEVE: ≤ 0.3 dB MAX.
SLEEVE/FERRULE WITHDRAWAL FORCE: 2.0N ~ 5.9N (200gf ~ 600gf)
- ADAPTER SPECIFICATIONS (SINGLEMODE)
INSERTION LOSS (AVERAGE): ZIRCONIA CERAMIC SLEEVE: ≤ 0.2 dB MAX.
SLEEVE/FERRULE WITHDRAWAL FORCE: 2.0N ~ 5.9N (200gf ~ 600gf)

THIRD ANGLE PROJECTION

CRITICAL DIMENSION CODE
 (F) = FUNCTION
 (M) = MATING
 (A) = AUDIT

UNLESS OTHERWISE SPECIFIED
DIMENSIONS ARE IN INCHES
 TOLERANCES:
 FRACTIONS ±1/32"
 ANGLES ±1/2°
 3 PLACE DECIMALS ±.005"
 2 PLACE DECIMALS ±.01"

MATERIAL
SEE BILL OF MATERIAL

FINISH
SEE NOTES

6112SMDST	ADAPTER PLATE ASSY, DUAL ST X 6, SM, 12 PORT, OCC
6112MMDST	ADAPTER PLATE ASSY, DUAL ST X 6, MM, 12 PORT, OCC
6112DST50Q	ADAPTER PLATE ASSY, DUAL ST X 6, OM4, 12 PORT, OCC
6112DST50G	ADAPTER PLATE ASSY, DUAL ST X 6, OM3, 12 PORT, OCC
6112DST	ADAPTER PLATE ASSY, DUAL ST X 6, SM/MM, 12 PORT, OCC
OCC PART NO.	DESCRIPTION
THIS DRAWING AND THE DESIGN SHOWN ARE THE PROPERTY OF OPTICAL CABLE CORPORATION AND MAY NOT BE USED AS THE BASIS FOR MANUFACTURE OR SALE WITHOUT SPECIFIC WRITTEN PERMISSION OF OPTICAL CABLE CORPORATION.	
DRAWN D.A.HOLBERT	DATE 4/8/03
CHECKED J.HOWE	DATE 3/2/05
ENGINEER J.YANIK	DATE 4/8/03
APPROVED D.INGLE	DATE 7/17/19
PREVIOUS DWG	
NEXT DWG	FILENAME C106074J.dft
 33 Superior Way Swannanoa, NC 28778 Phone: 828-298-2260 Fax: 828-298-2487 www.occfiber.com	
DWG TITLE ADAPTER PLATE ASSY, DUAL ST, 12 PORT, SM/MM, OCC	
SIZE B	DWG NO. C106074
SCALE: NONE	REV J
SHEET 1 OF 1	