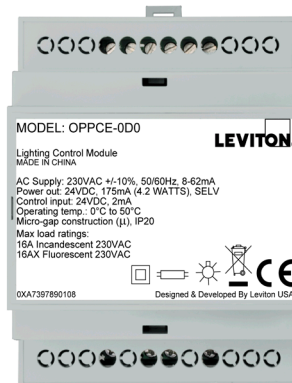


OPPCE Super Duty Lighting Control Module

High performance line includes models for daylight harvesting, bi-level switching, CE compliant, occupancy sensing control, and manual switching



Surface Mount



DIN Rail Mount

DEFINITION

The OPPCE delivers a wide array of switching solutions in a single unit. Submitted for stringent testing, this robust lighting control module is designed to deliver unmatched performance. The OPPCE features robust and reliable mechanical latching relays, exclusive fail-safe circuitry, daylight harvesting, bi-level switching, and is configurable for energy code requirements (CE Compliant). Exclusive Leviton High Inrush Stability (H.I.S.) circuitry is specifically designed to handle high inrush electronic ballast loads and offer unmatched durability and service.

APPLICATIONS

- Daylight Harvesting
- Bi-level Switching
- Plug Load Control
- Auto-ON/Auto-OFF with Local Switch
- Manual-ON/Auto-OFF with Local Switch

SOFTWARE FEATURES

- Fail-safe/Return-to-Closed capability
- Power interruption feature guarantees to close the relay; 5 seconds after power restoration, lights will return to current state
- Exclusive self-detect configurable local switch input - momentary or maintained
- Configurable for Auto-ON and Manual-ON occupancy sensor inputs
- Photocell (switching only) ready

HARDWARE FEATURES

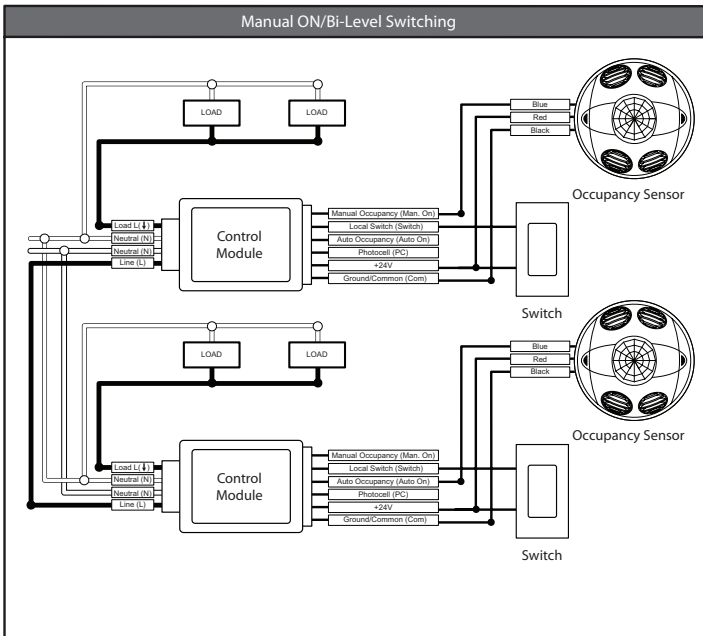
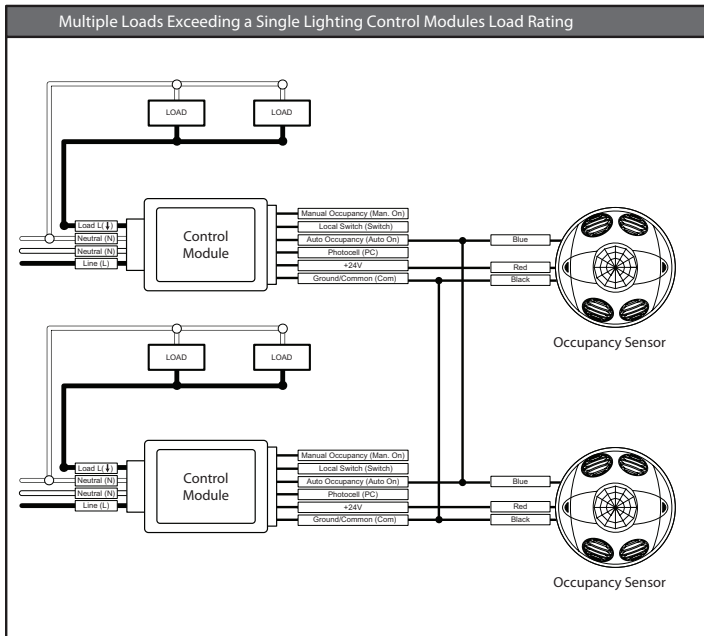
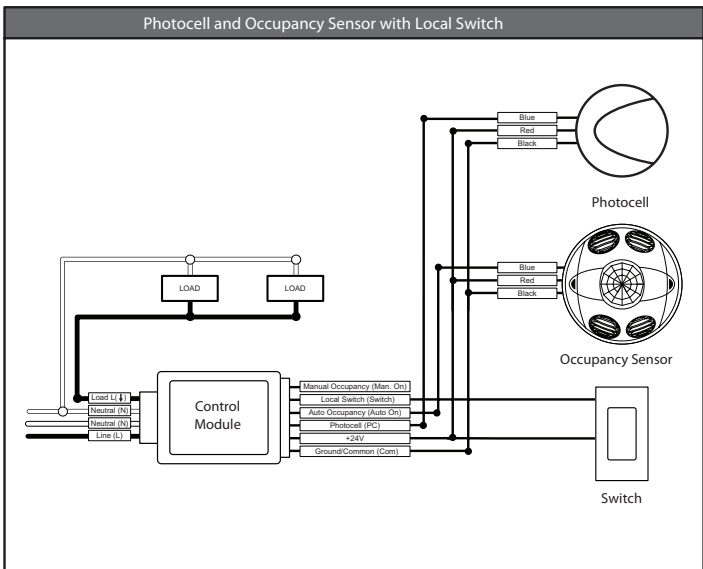
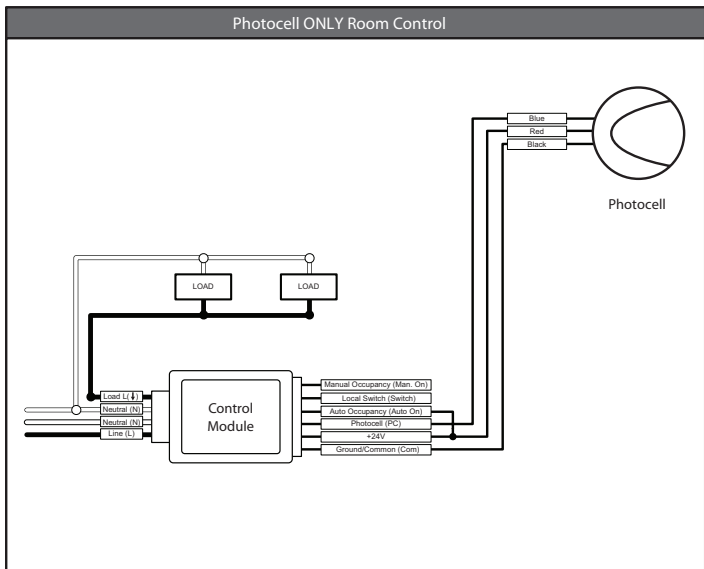
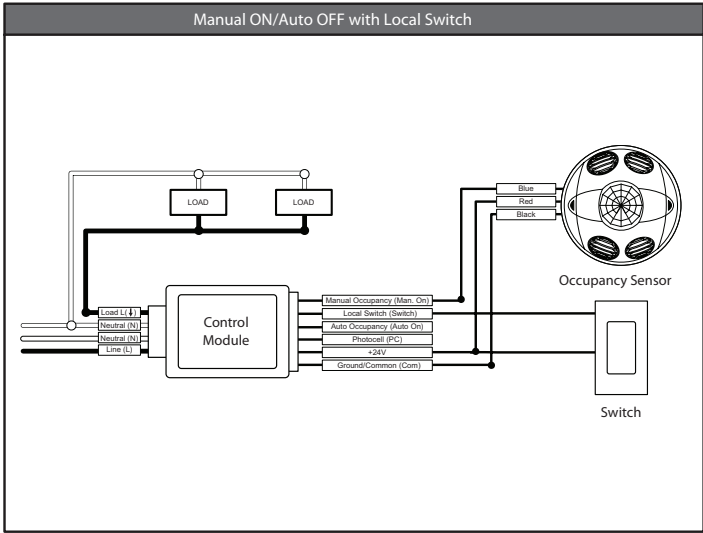
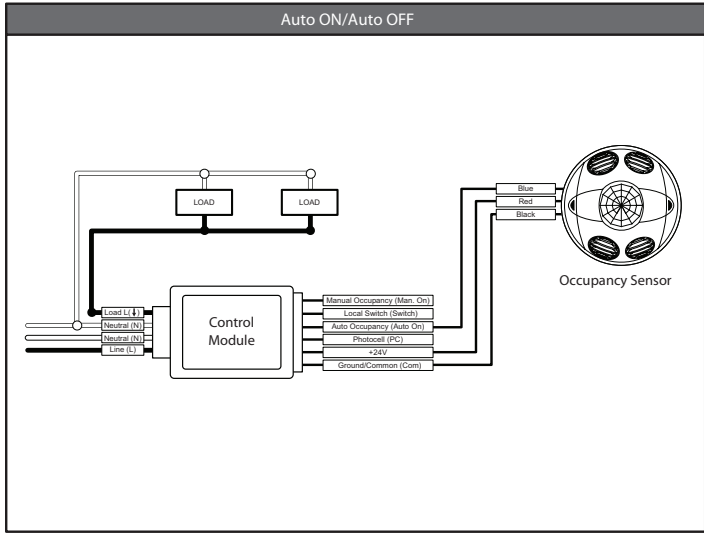
- Robust and reliable mechanically held 16A latching relay provides dependability and robust performance for all load types and provides power savings over electrically held relay power packs
- Industry exclusive fail-safe circuitry - in the event of product failure, Return-to-Closed capability causes relay to default to a closed position (ON) for safe operation and alleviates life safety concerns
- Industry exclusive H.I.S. circuit designed to handle high inrush electronic ballast loads
 - Factory calibrated zero crossing for extended life of the relay
- Submitted and passed for stringent testing:
 - Tested over 1,500,000 loaded cycles
 - Passes NEMA 410 testing for electronic ballast current overload at 16A
- Output short circuit protection
- Internal voltage regulated at 24VDC, 175mA
- Optimal installation flexibility
- RoHS Compliant
- CE Compliant



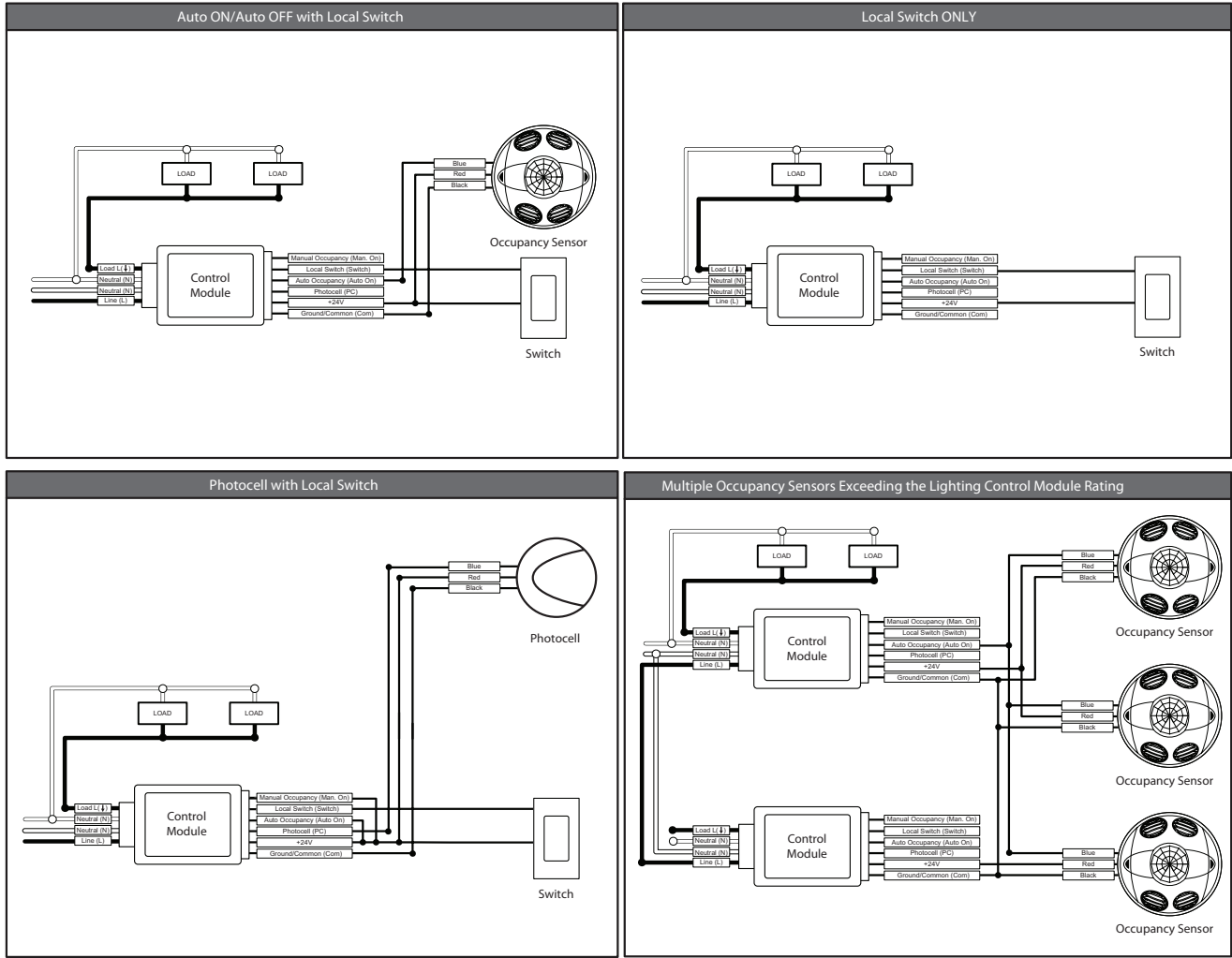
PRODUCT DATA

APPLICATION DIAGRAMS

OPPC Super Duty Lighting Control Module

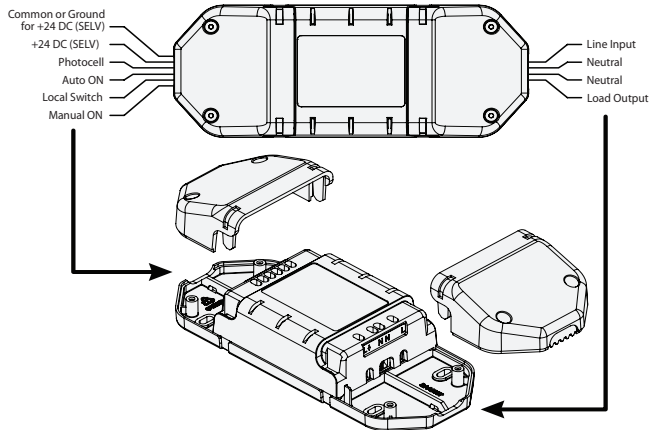


APPLICATION DIAGRAMS

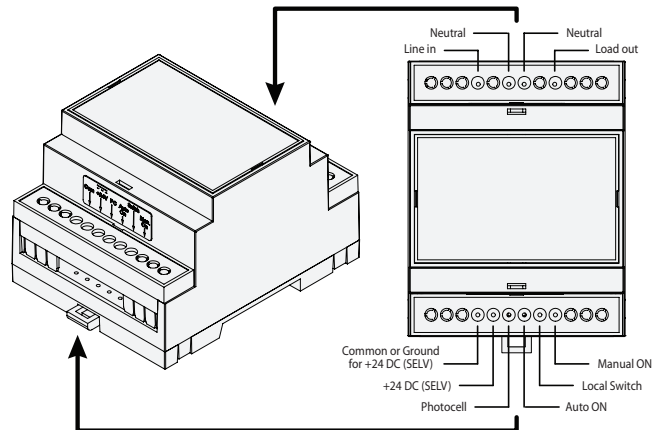


WIRING DIAGRAMS

Surface Mount



DIN Rail Mount



OPPE Super Duty Lighting Control Module

SPECIFICATIONS

ENVIRONMENTAL	
Operating Temperature Range	32°F to 122°F (0°C to 50°C)
Relative Humidity	0% to 90% non-condensing, for indoor use only
Ingress Protection	IP20 for DIN Rail Mount, IP30 for Surface Mount
OTHER	
Construction	Case : high impact, UL rated plastic, 16A latching relay; silver alloy contacts
Dimensions DIN Rail Mount	2.79" x 3.55" x 2.55" (71mm x 90.20mm x 64.77mm)
Dimensions Surface Mount	2.83" x 7.28" x 2.92" (72mm x 185mm x 74.40mm)
Listings	CE Compliant, RoHs Compliant
Color	DIN Rail Mount: Gray, Surface Mount: Light Gray
Warranty	Limited Five-Year Warranty

ORDERING INFORMATION

CAT NO	DESCRIPTION	POWER INPUT	RELAY RATING	CONTROL INPUTS	POWER SUPPLY OUTPUT
OPPCE-0D0	DIN Rail Mount Module	230VAC ±10% 50/60 Hz	16A @ 230VAC – Fluorescent	2mA, 24VDC	175mA, 24VDC (4.2W), SELV
OPPCE-0S0	Surface Mount Module				

LIGHTING CONTROL MODULE CAPACITY FORMULA

Leviton lighting control modules can be used to provide power to one or more occupancy sensors. Since current consumptions of occupancy sensors may vary, the best way to ensure you order the correct number of power packs and add-a-relays is by using this formula:

$$\left(\begin{array}{c} \# \text{ of sensor} \\ \text{Model As} \\ \times \\ \text{Sensor A current} \\ \text{consumption} \end{array} \right) + \left(\begin{array}{c} \# \text{ of sensor} \\ \text{Model Bs} \\ \times \\ \text{Sensor B current} \\ \text{consumption} \end{array} \right) < 175\text{mA}$$

Leviton Manufacturing Co., Inc. Global Headquarters

201 N. Service Rd. Melville, NY 11747-3138 • Tech Line: 1-800-824-3005 • Fax: 1-800-832-9538

Leviton Manufacturing Co., Inc. Lighting & Energy Solutions

20497 SW Teton Avenue, Tualatin, OR 97062 • Tel: 1-800-736-6682 • FAX: 503-404-5594 • Tech Line (6:00AM-4:00PM P.S.T. Mon-Fri): 1-800-959-6004

Leviton Manufacturing of Canada, Ltd.

165 Hymus Boulevard, Pointe Claire, Quebec H9R 1E9 • Telephone: 1-800-469-7890 • FAX: 1-800-563-1853

Leviton S. de R.L. de C.V.

Lago Tana 43, Mexico DF, Mexico CP 11290 • Tel. (+52) 55-5082-1040 • FAX: (+52) 5386-1797 • www.leviton.com.mx

Visit our Website at: www.leviton.com/les