

[SURGE PROTECTION]

Any LONGSPAN® network design for outdoor or external sections must incorporate the appropriate level of surge protection to avoid invalidation of warranty due to electrical storm damage. It is the responsibility of the system installer to ensure the correct level of surge protection. See also the Surge Protection statement below and LONGSPAN Application Notes.

[IMPORTANT SAFETY NOTES]

- | This equipment is designed for indoor use only. Place in a well ventilated position.
- | The LONGSPAN Base surface can get hot, so caution should be taken when handling the device. Please allow time to cool after switching off before handling the surfaces.
- | If equipment is used in a manner not specified by the manufacturer, the protection provided by the equipment may be impaired.

Surge Protection

All Veracity products have been independently tested to verify their resilience to the stringent immunity levels of international standards. Users should note that no electronic equipment can be guaranteed to be completely protected at levels beyond the defined standard; therefore product warranty cannot include damage to products which has been caused by surges exceeding those of the standards specified, for example lightning strike activity. It is the user's responsibility to implement relevant surge protection measures, as appropriate to the installation. This may include the fitting of additional surge protection devices where required.

This Device Complies with Part 15 of the FCC Rules.

Operation is subject to the following two conditions: (1) this device may not cause harmful interference, and (2) this device must accept any interference received, including interference that may cause undesired operation. NOTE: This equipment has been tested and found to comply with the limits for a Class A digital device, pursuant to Part 15 of the FCC Rules. These limits are designed to provide reasonable protection against harmful interference when the equipment is operated in a commercial environment. This equipment generates, uses, and can radiate radio frequency energy and, if not installed and used in accordance with the instruction manual, may cause harmful interference to radio communications. Operation of this equipment in a residential area is likely to cause harmful interference in which case the user will be required to correct the interference at their own expense.

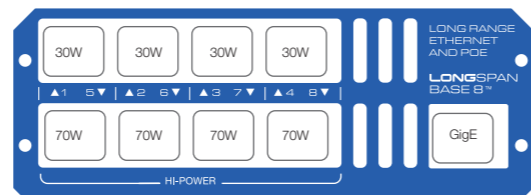
Veracity UK Ltd. Prestwick International Aerospace Park,
4 Dow Road, Prestwick, KA9 2TU. UK

Veracity's Authorised Representative in the EU (as required by EU law for CE marked goods) is:
Comply Express Unipessoal Limitada, StartUp Madeira, EV141, Campus da Penteada, 9020 105 Funchal, Portugal.

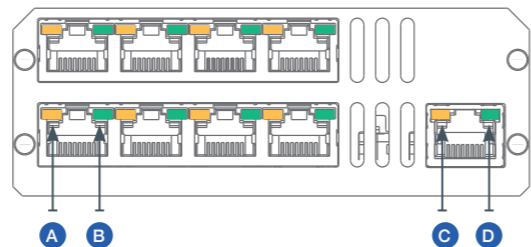
© Veracity UK Ltd 2025
OSG DV1.5EN LONGSPAN® & SAFEVIEW®
are registered trademarks and LONGSPAN Base 8™
is a trademark of Veracity UK Ltd



[FRONT CONNECTIONS & LEDS]

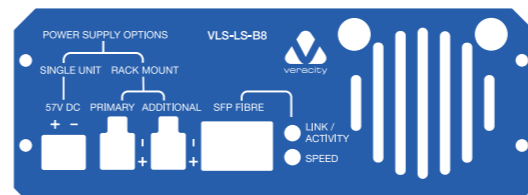


FRONT

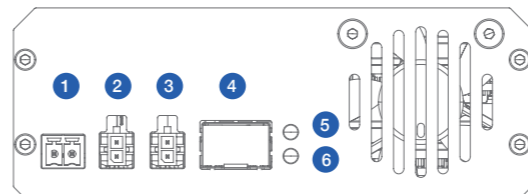


	LED	FUNCTION
A	LONGSPAN RJ45 Yellow	On = Link Established. Flash = Network Activity.
B	LONGSPAN RJ45 Green	On = 100Mbps. Flash = 10Mbps. Blink = No Link to Camera.
C	Ethernet RJ45 Yellow	On = Link Established. Flash = Network Activity.
D	Ethernet RJ45 Green	On = Power Good.

[REAR CONNECTIONS & LEDS]



REAR



CONNECTIONS	SFP LED	OPERATION
1 57V DC Single Device Power (up to 8 x 30W)	Top	Link/Activity Green = Power On. Fibre Detected. Blinking Green = Link is Established. Network Activity.
2 57V DC Primary Rackmount Power (up to 8 x 30W)	5	
2 57V DC Primary Rackmount Plus the 57V DC Additional Rackmount Power (up to 4 x 30W & 4 x 70W)	Bottom	Speed Green = 1000Mbps. Red = 10/100Mbps.
3		
4 SFP Socket		

[QUICKSTART GUIDE]

8 PORT LONG RANGE ETHERNET & POE

LONGSPAN®
BASE 8



OVERVIEW

LONGSPAN Base 8™ delivers unprecedented power and bandwidth over extreme lengths of regular Cat5e or Cat6 network cable.

LONGSPAN Base 8 delivers unrestricted 100Base-TX over 8 ports. The top 4 ports deliver 802.3at POE (up to 30W) and the bottom 4 ports deliver 802.3bt POE (up to 70W) at distances far beyond the normal Ethernet limits for problem-free IP camera installation.

LONGSPAN Base 8 provides eight Ethernet cable connections. The Base device has a single standard RJ45 Gigabit Ethernet port to allow connection to a main network switch. An SFP socket is also provided to allow a fibre network connection if required by the application.

All LONGSPAN Base 8 device must be powered through the DC power connectors. The single-screw-terminal connector is designed for a maximum of 6A at 57V DC. For **lower power applications** Veracity's 100W POE power supply (VPSU-POE-100) or 240W POE power supply (VPSU-POE-240) may be used, connected to the single PSU screw-terminal power connector.

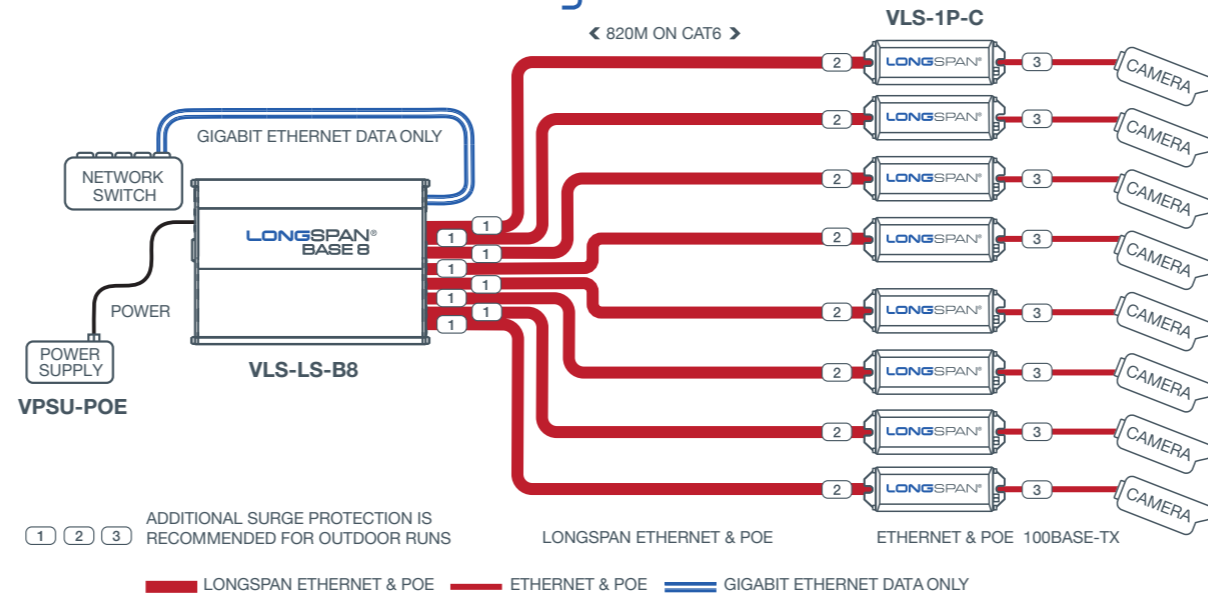
For **high power applications** (up to 30W per port for the top row and up to 70W per port for the bottom row) a Veracity Rackmount Power Supply must be used, connected to the Primary and Additional power connectors. Each connector is designed for a maximum of 5A at 57V DC. Both Primary and Additional connectors must be used for maximum power delivery.

SAFETY FEATURE

If the operating temperature of the LONGSPAN Base 8 device becomes too high (due to power overload, fan failure or obstructed airflow), the output ports will shut down and the green LEDs will flash rapidly, indicating a fault. This is to protect the internal electronics and is a general safety feature.

01

LONGSPAN APPLICATION DIAGRAM



INSTALLATION

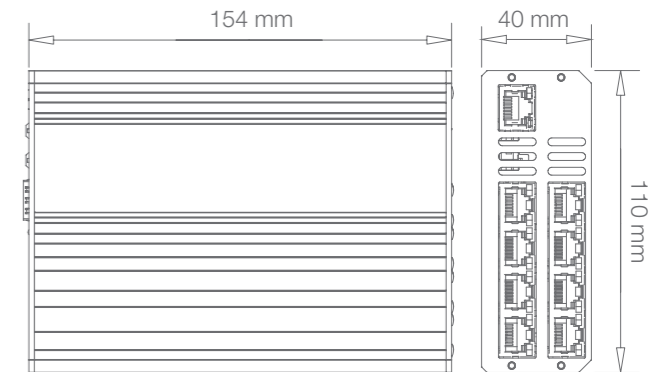
- 1 | Install the LONGSPAN Base 8 device into the rack using the Veracity Rackmount Accessory (VRM-TRAY-BASE).
- 2 | Connect the Gigabit uplink port to the main network switch (alternatively use an SFP module and connect that to the main network).
- 3 | At the IP camera (device) end, connect an IP camera (or other IP device) to the Ethernet port of a LONGSPAN Camera, using the recommended surge protection (item 3 in the diagram). Repeat to install up to eight IP cameras (devices).

02

- 4 | At the IP camera (device) end, connect the long network cables to the extended network port of the LONGSPAN Camera devices using the recommended surge protection (item 2 in the diagram), noting that Cat6 cable is recommended for cable runs longer than 300m and essential for cable runs longer than 600m.
- 5 | At the base (switch) end, connect the other end of the long network cables to the LONGSPAN Base 8 device via the recommended surge protection (item 1 in the diagram). For high power applications, note that the bottom row of RJ45 connectors can output up to 70W of POE, and the top row up to 30W of POE.

03

PRODUCT DIMENSIONS



04

- 6 | Install the appropriate power supply for the application, having calculated the maximum power draw for the whole system, noting that the LONGSPAN Base 8 device itself will use 8W at idle and 20W under maximum output load.
- 7 | Connect either a single device power supply to the screw-terminal connector or a Rackmount Supply to the Primary and/or Additional power connectors as appropriate for the total power required by the application.
- 8 | Confirm 100Base-TX on the LEDs and confirm POE power availability on the LONGSPAN Camera device's SAFEVIEW® LEDs and also that each IP camera or other IP device is powered-up successfully.
- 9 | The installation is complete.