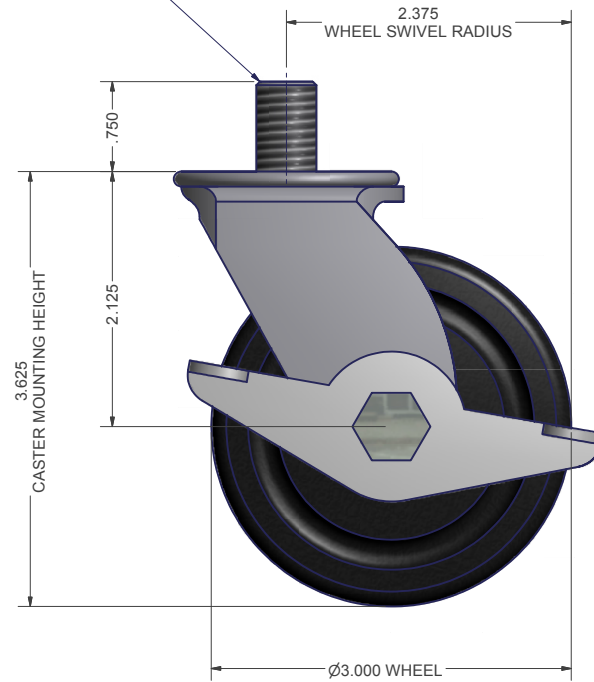
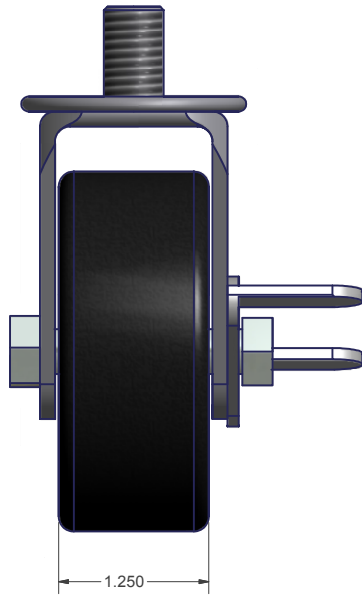


THREADED STEM  
 $\varnothing 1/2$ "-13 UNC x 3/4" LG.



INTERPRET DRAWING PER ASME Y14.5M-1994
DIMENSIONAL LIMITS APPLY AFTER APPLICATION OF FINISH
DRAWING NOT TO SCALE
TOLERANCE UNLESS OTHERWISE NOTED:
ANGULAR +/- 1°
.XXXX +/- .010
.XXX +/- .015
.XX +/- .030
X FOR REF. ONLY
UNLESS OTHERWISE SPECIFIED ALL DIMENSIONS ARE IN INCHES

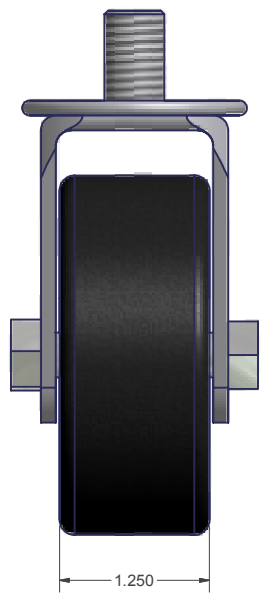
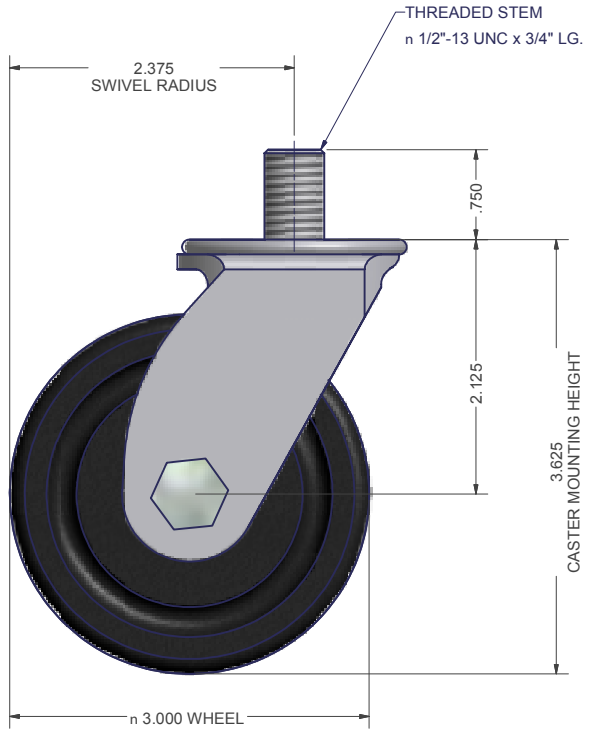
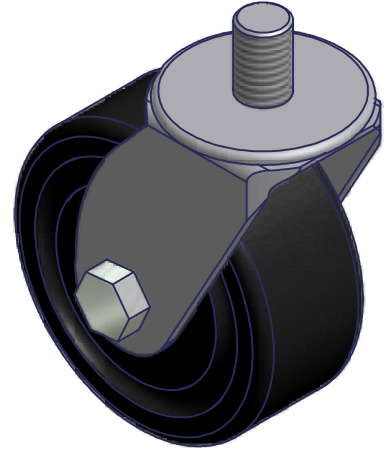
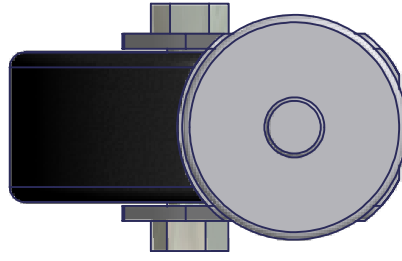
**NOTICE:**

Use of this document is subject to a confidentiality and nondisclosure agreement with Great Lakes Case & Cabinet Co., Inc. (GLCC) and may not be reproduced, disclosed or utilized in whole or in part without prior written authorization from GLCC.

PART NUMBER:	<b>7208E02</b>
QTY PER UNIT:	1
MATERIAL TYPE:	-
MATERIAL GAUGE:	-
FINISH:	-
DRAWN	DATE
WSS	8/6/2003
CHECKED & APP.	DATE
WSS	8/6/03

TITLE	<b>SWIVEL STEM CASTER, LOCKING, 3.625" HEIGHT, 210 lb. CAP.</b>	
GREAT LAKES CASE & CABINET CO., INC. P.O. BOX 551 EDINBORO, PA 16412 PHONE (814) 734-7303 FAX (814) 734-3907 E-MAIL glcc@greatcabinets.com		
DWG NO:	REV	SHEET: 1 OF 1
<b>1001617</b>	<b>0</b>	





INTERPRET DRAWING PER ASME Y14.5M-1994  
 DIMENSIONAL LIMITS APPLY  
 AFTER APPLICATION OF FINISH  
 DRAWING NOT TO SCALE  
 TOLERANCE UNLESS OTHERWISE NOTED:  
 ANGULAR +/- 1-  
 .XXXX +/- .010  
 .XXX +/- .015  
 .XX +/- .030  
 .X FOR REF. ONLY

**NOTICE:**  
 Use of this document is subject to a confidentiality and nondisclosure agreement with Great Lakes Case & Cabinet Co., Inc. (GLCC) and may not be reproduced, disclosed or utilized in whole or in part without prior written authorization from GLCC.

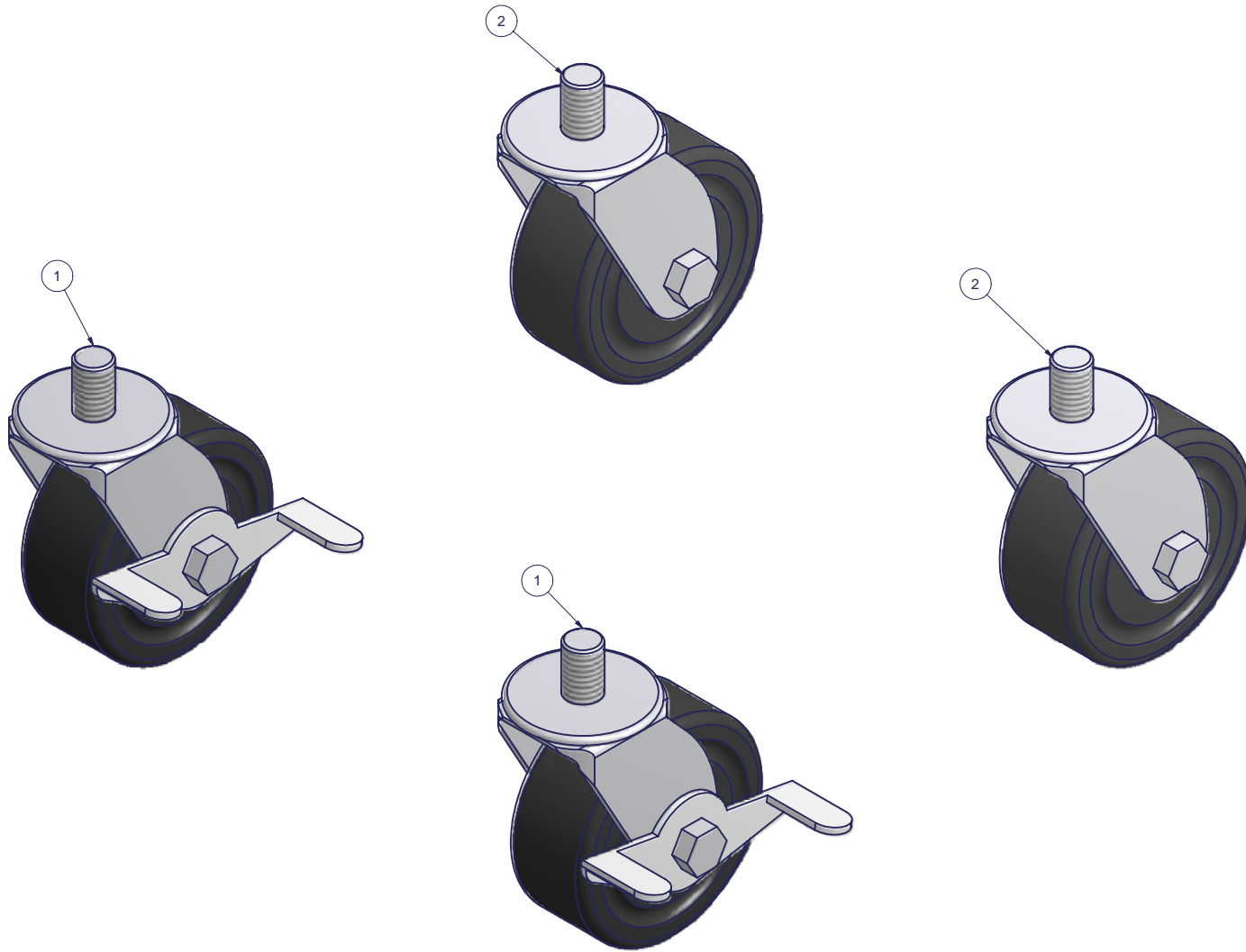
PART NUMBER:  
**7208E01**  
 QTY PER UNIT: 1  
 MATERIAL TYPE:  
 MATERIAL GAUGE:  
 FINISH:  
 DRAWN DATE  
 WSS 8/6/2003  
 CHECKED & APP. DATE  
 WSS 8/6/03

TITLE  
**SWIVEL STEM CASTER, #  
 NON LOCKING, 3.625"  
 HEIGHT, 210 lb. CAP.**  
**GREAT LAKES CASE & CABINET CO., INC.**  
 P.O. BOX 551 EDINBORO, PA 16412  
 PHONE (814) 734-7303 FAX (814) 734-3907  
 E-MAIL glcc@greatcabinets.com  
 DWG NO: 1001616  
 REV 0  
 SHEET: 1 OF 1



UNLESS OTHERWISE SPECIFIED  
 ALL DIMENSIONS ARE IN INCHES

Bill of Material					
ITEM	PART NUMBER	QTY	DESCRIPTION	FILE NAME	REVISI
1	7208E02	2	WAGNER SWIVEL STEM CASTER, # 2F9953006002106, LOCKING, 3.625" HEIGHT, 210 lb. CAP.	I001617.iam	0
2	7208E01	2	WAGNER SWIVEL STEM CASTER, # 2F9953009000106, NON LOCKING, 3.625" HEIGHT, 210 lb. CAP.	I001616.iam	0



INTERPRET DRAWING PER ASME Y14.5M-1994
DIMENSIONAL LIMITS APPLY AFTER APPLICATION OF FINISH
DRAWING NOT TO SCALE
TOLERANCE UNLESS OTHERWISE NOTED:
ANGULAR +/- 1°
.XXXX +/- .010
.XXX +/- .015
.XX +/- .030
.X FOR REF. ONLY
UNLESS OTHERWISE SPECIFIED ALL DIMENSIONS ARE IN INCHES

**NOTICE:**  
Use of this document is subject to a confidentiality and nondisclosure agreement with Great Lakes Case & Cabinet Co., Inc. (GLCC) and may not be reproduced, disclosed or utilized in whole or in part without prior written authorization from GLCC.

PART NUMBER:	<b>7208E</b>
QTY PER UNIT:	1
MATERIAL TYPE:	-
MATERIAL GAUGE:	-
FINISH:	-
DRAWN	DATE
WSS	8/6/2003
CHECKED & APP.	DATE
WSS	8/6/03

TITLE	<b>SET OF FOUR CASTERS, 2 LOCKING &amp; 2 NON-LOCKING</b>		
	GREAT LAKES CASE & CABINET CO., INC. P.O. BOX 551 EDINBORO, PA 16412 PHONE (814) 734-7303 FAX (814) 734-3907 E-MAIL glcc@greatcabinets.com		
DWG NO:	REV	SHEET: 1 OF 1	
<b>I001618</b>	<b>0</b>		

