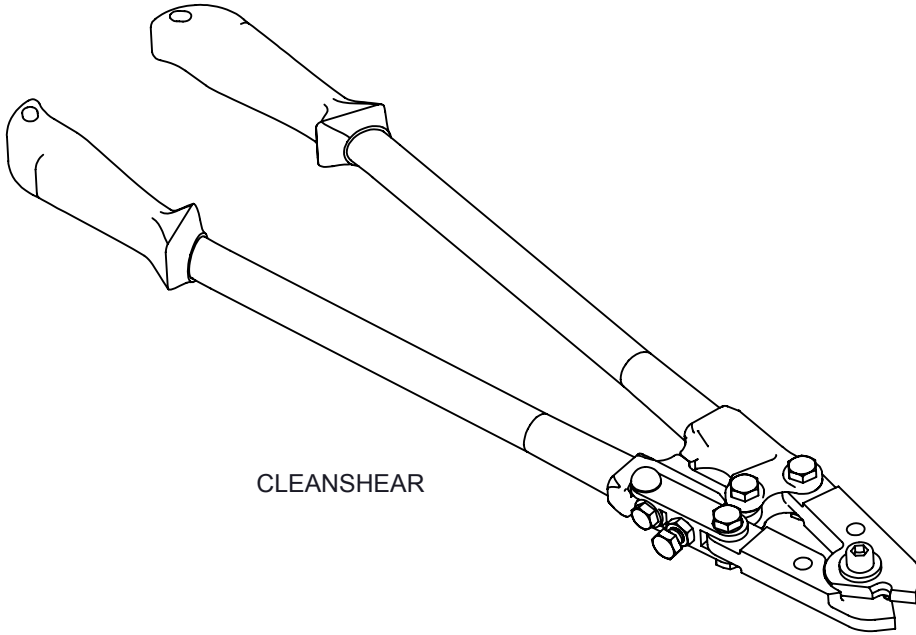
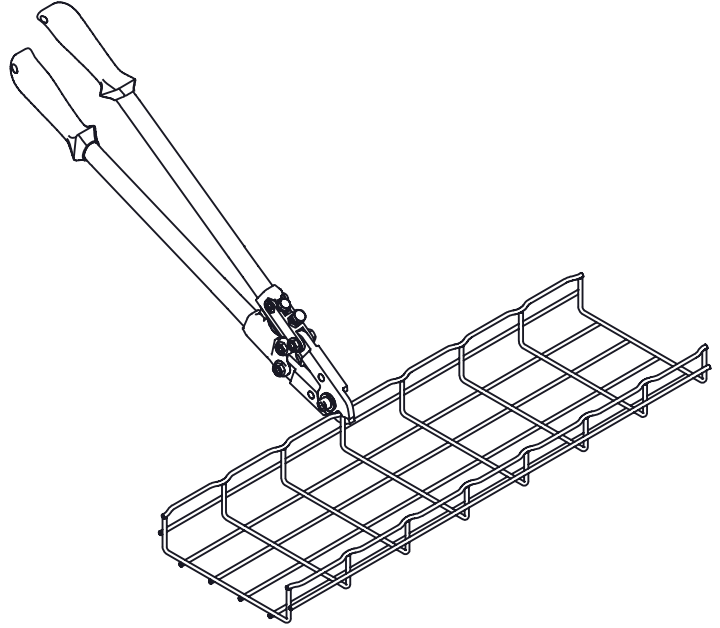


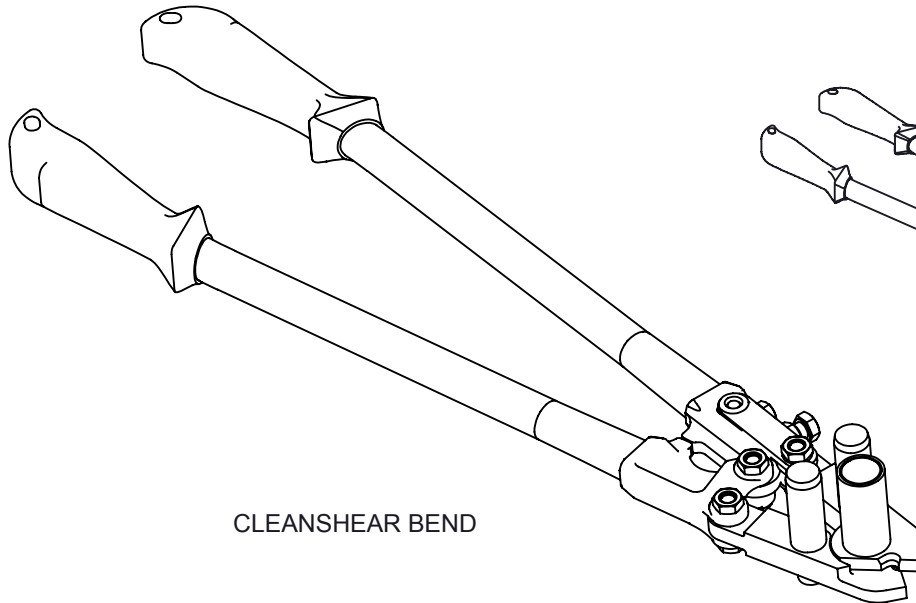
- PART NUMBERS: CLEANSHEAR & CLEANSHEAR BEND
- DESIGNED SPECIFICALLY FOR CUTTING FLEXTRAY
- SAFELY CUT OR BEND FLEXTRAY INTO ANY CONFIGURATION
- EXCLUSIVE, PATENTED DESIGN CUTS TRAY FAST WITH NO SHARP EDGES
- CLEANSHEAR BEND EQUIPPED WITH BENDING ATTACHMENT



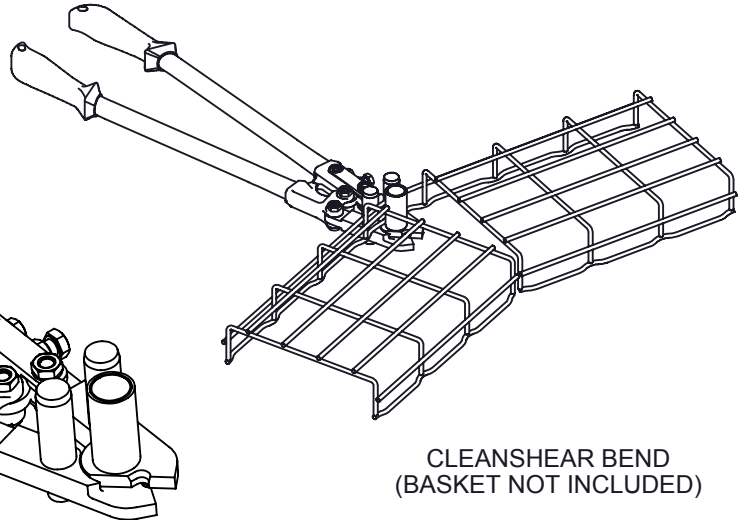
CLEANSHEAR



CLEANSHEAR  
(BASKET NOT INCLUDED)



CLEANSHEAR BEND



CLEANSHEAR BEND  
(BASKET NOT INCLUDED)

THIS DRAWING AND/OR THE TECHNICAL INFORMATION CONTAINED HEREON IS THE PROPERTY OF EATON CORPORATION ("EATON"), AND IS ISSUED IN CONFIDENCE FOR EATON ENGINEERING PURPOSES ONLY AND MAY NOT BE REPRODUCED OR USED FOR ANY PURPOSE WHATSOEVER WITHOUT THE EXPRESS WRITTEN PERMISSION OF EATON TO THE USER. THIS DRAWING AND/OR TECHNICAL INFORMATION IS THE PROPERTY OF EATON AND IS LOANED FOR MUTUAL ASSISTANCE. TO BE RETURNED WHEN ITS INTENDED PURPOSE HAS BEEN SERVED.



Eaton, B-Line Division  
509 W. Monroe Street  
Highland, IL 62249  
Phone (618) 654-2184  
FAX (618) 654-5499  
www.b-line.com

**SUBMITTAL DRAWING**

TITLE:

**CLEANSHEAR  
CLEANSHEAR BEND  
FLEXTRAY CLEANSHEAR**

REFERENCE DWG(S):

SUBMITTAL NO:

**S00015307**

DRAWN BY:	REV.
DF	B

DATE:  
**3/23/2017**

MODEL SOURCE FILE:	REV:
00015307	00

SHEET:
1 OF 1

UNLESS OTHERWISE SPECIFIED MATERIAL SHOWN HAS BEEN FABRICATED IN ACCORDANCE WITH THIS DRAWING.