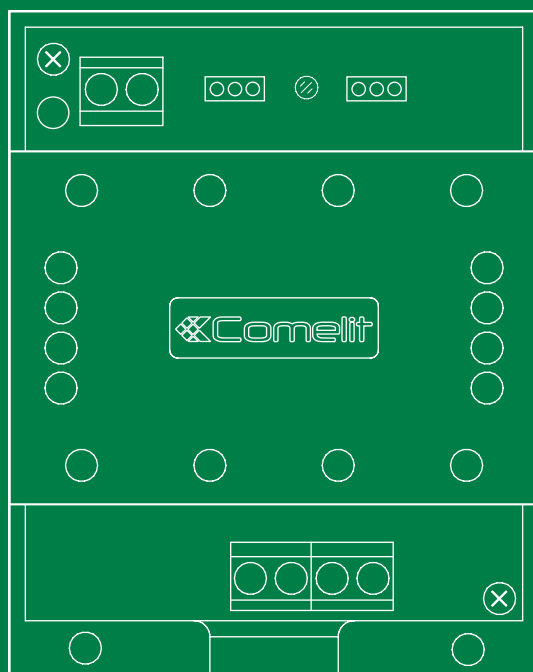


EN

TECHNICAL
MANUAL



SBTOP riser branch module
Art.1414

 **Comelit**[®]
Passion. Technology. Design.

Warning

Intended use

This Comelit product was designed for use in the creation of audio and video communication systems in residential, commercial or industrial settings and in public buildings or buildings used by the public.

Installation

All activities connected to the installation of Comelit products must be carried out by qualified technical personnel, with careful observation of the indications provided in the Manuals / Instruction sheets supplied with those products.

Wires

Cut off the power supply before carrying out any maintenance procedures.

Use wires with a cross-section suited to the distances involved, observing the instructions provided in the system manual.

We advise against running the system wires through the same duct as the power cables (230V or higher).

Safe usage

To ensure Comelit products are used safely:

- carefully observe the indications provided in the Manuals / Instruction sheets
- make sure the system created using Comelit products has not been tampered with / damaged.

Maintenance

Comelit products do not require maintenance aside from routine cleaning, which should be carried out in accordance with the indications provided in the Manuals / Instruction sheets.

Any repair work must be carried out

- for the products themselves, exclusively by **Comelit Group S.p.A.**,
- for systems, by qualified technical personnel.

Disclaimer

Comelit Group S.p.A. does not assume any responsibility for

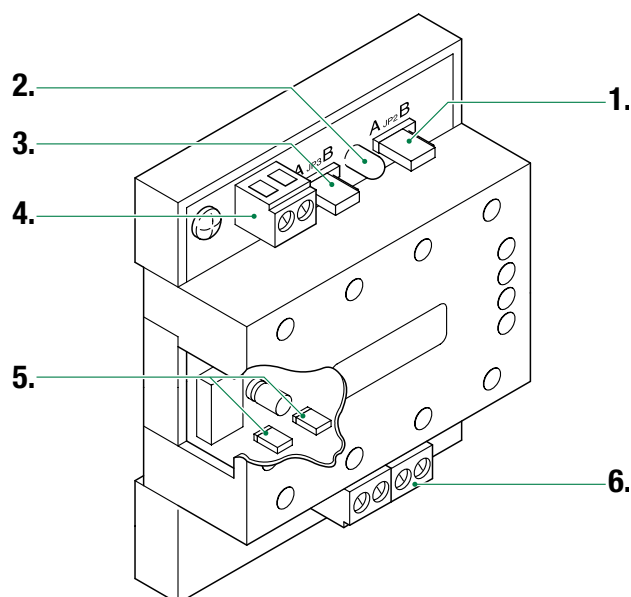
- any usage other than the intended use
- non-observance of the indications and warnings contained in this Manual / Instruction sheet.

Comelit Group S.p.A. nonetheless reserves the right to change the information provided in this Manual / Instruction sheet at any time and without prior notice.

Description

Art. 1414 is used to branch a second riser from the outgoing BUS line from the mixer. It can also act as line protection (**only for SBTOP systems**). The device can be used with Building kit and SBTOP systems and, as it is powered by the 2-wire bus, it does not need any additional power supply.

MAX. 100 users can be connected to each Mixer Art. 4888C, regardless of the number of Art. 1414 used.



- 1. **JP2** jumper to reinstate the line after a short circuit.
- 2. **DL1** isolated line signalling LED (protection active).
- 3. **JP3** jumper for setting of connection distances. For line protection function only.
- 4. **LM LM** branch riser output terminals.
- 5. **JP4 JP1** jumper for activating/deactivating line protection function.
- 6. **L OUT L OUT** line output.
L IN L IN line input.

Technical features

MAIN FEATURES

Product height (mm)	85
Product width (mm)	66
Product depth (mm)	37
Operating temperature (°C)	-5÷40
RH max operating humidity (%)	25÷75
DIN rail mounted	Yes
DIN modules (no.)	4
Power supply voltage (V)	Bus line

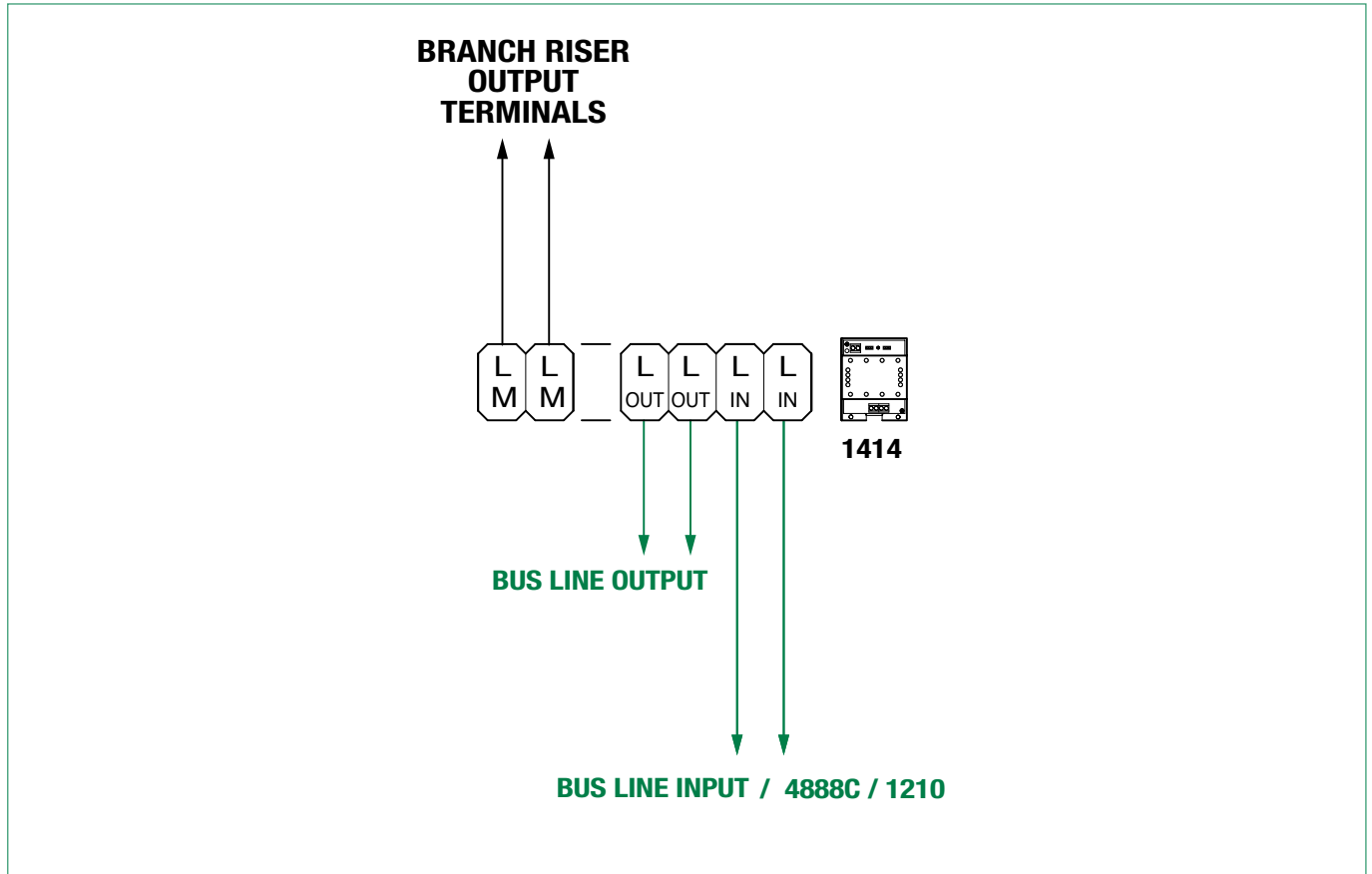
GENERAL DATA

Type of finish	Plastic
Product colour	White

COMPATIBILITY

Simplebus Top audio/video system	Yes
Building Kit audio/video system	Yes

Connection



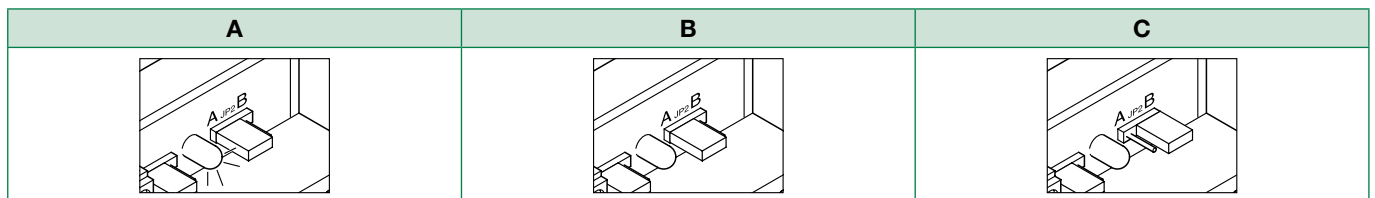
Operation and Programming

Line protection function

In Building Kit systems, it is only compatible for the “riser branch” function (not “line protection”).

- ▶ Jumpers JP1 and JP4 must be removed in order to activate this function.







The line protection function allows the branch line to be automatically isolated in case of short circuit. If this occurs, LED DL1 lights up to signal the fault (Fig. A). To reinstate the line, after eliminating the problem it is necessary to move jumper JP2 to position B until the LED (Fig. B) goes off, then move the jumper to position A (Fig. C).

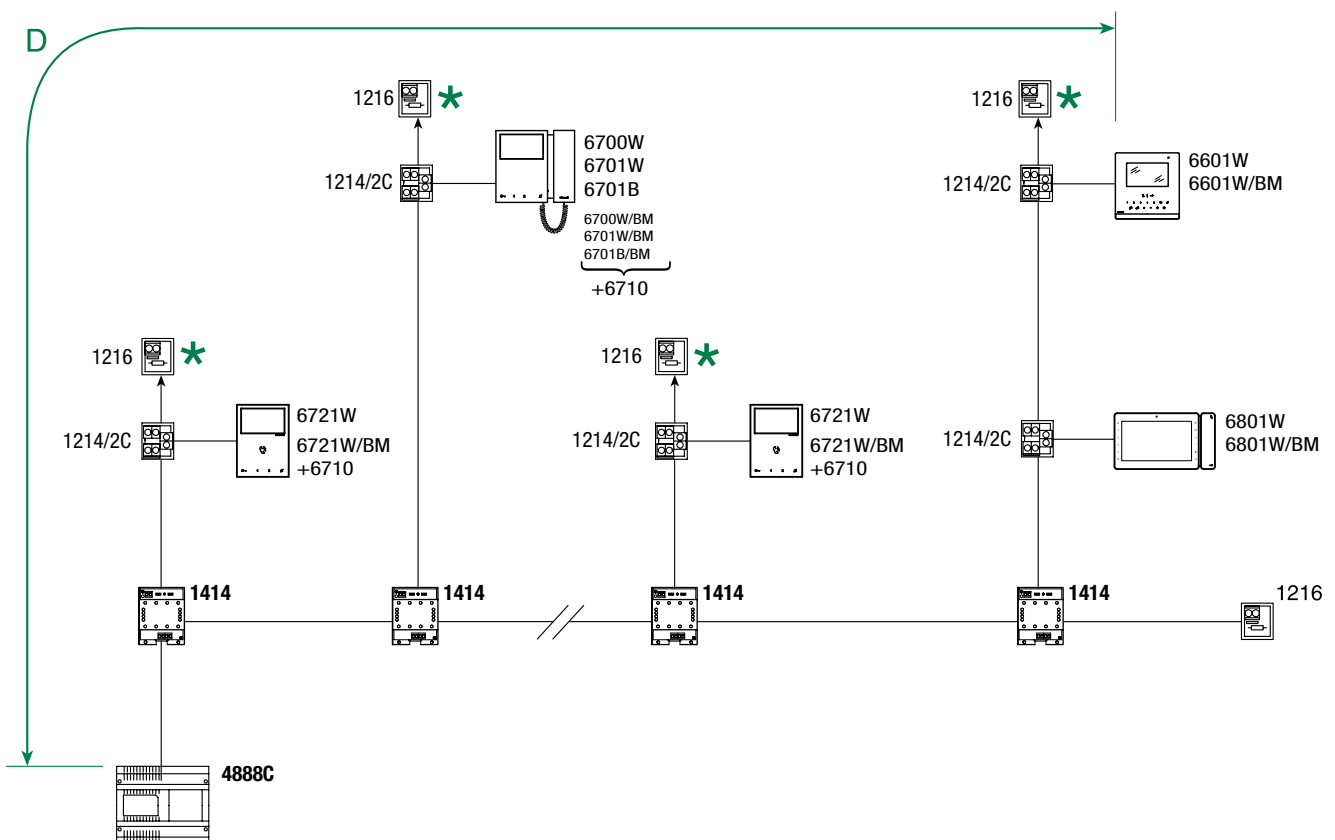


Jumper JP3 setting for line protection function

Depending on the type of cable used and the distance between the furthest riser branch internal unit and the mixer, jumper JP3 must be arranged according to the settings given in Table 1.

For all other distances refer to: [SBTOP audio/video system](#).

Table 1	Max. distance between Mixer and furthest internal unit.	Position of jumper JP3
	D	
Comelit Art. 4577/4579 1 mm ² (Ø 1,2 mm AWG 17) 	200 m (650 feet)	Pos A
1,5 mm ² (Ø 1,4 mm AWG 15) 	150 m (495 feet)	Pos A
1 mm ² (Ø 1,2 mm AWG 17) 	120 m (390 feet)	Pos A
0,28 mm ² (Ø 0,6 mm AWG 23) 	70 m (225 feet)	Pos A
	100 m (325 feet)	Pos B
UTP5 cat. 5 0,2 mm ² (Ø 0,5 mm AWG 24) 	50 m (160 feet)	Pos A
	80 m (260 feet)	Pos B
0,5 mm ² (Ø 0,8 mm AWG 20) 	80 m (260 feet)	Pos A
	120 m (390 feet)	Pos B



* Supplied with Art. 1414

System performance and layouts

For further information of system performance and to view installation layouts, click on the system type that best meets your requirements:

- [Building Kit audio/video system](#) for the creation of audio-video systems for *small apartment blocks*.
- [SBTOP audio/video system](#) for the creation of audio-video systems for *residential complexes*.

CERTIFIED MANAGEMENT SYSTEMS



www.comelitgroup.com

Via Don Arrigoni, 5 - 24020 Rovetta (BG) - Italy

