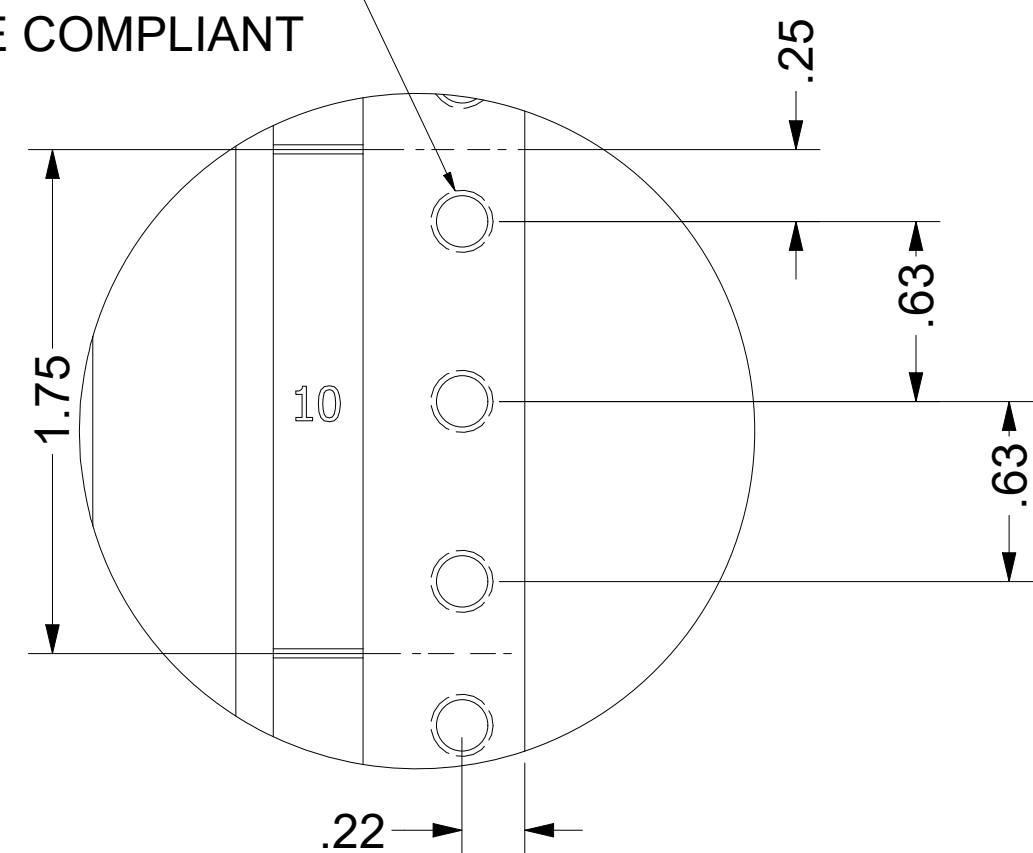
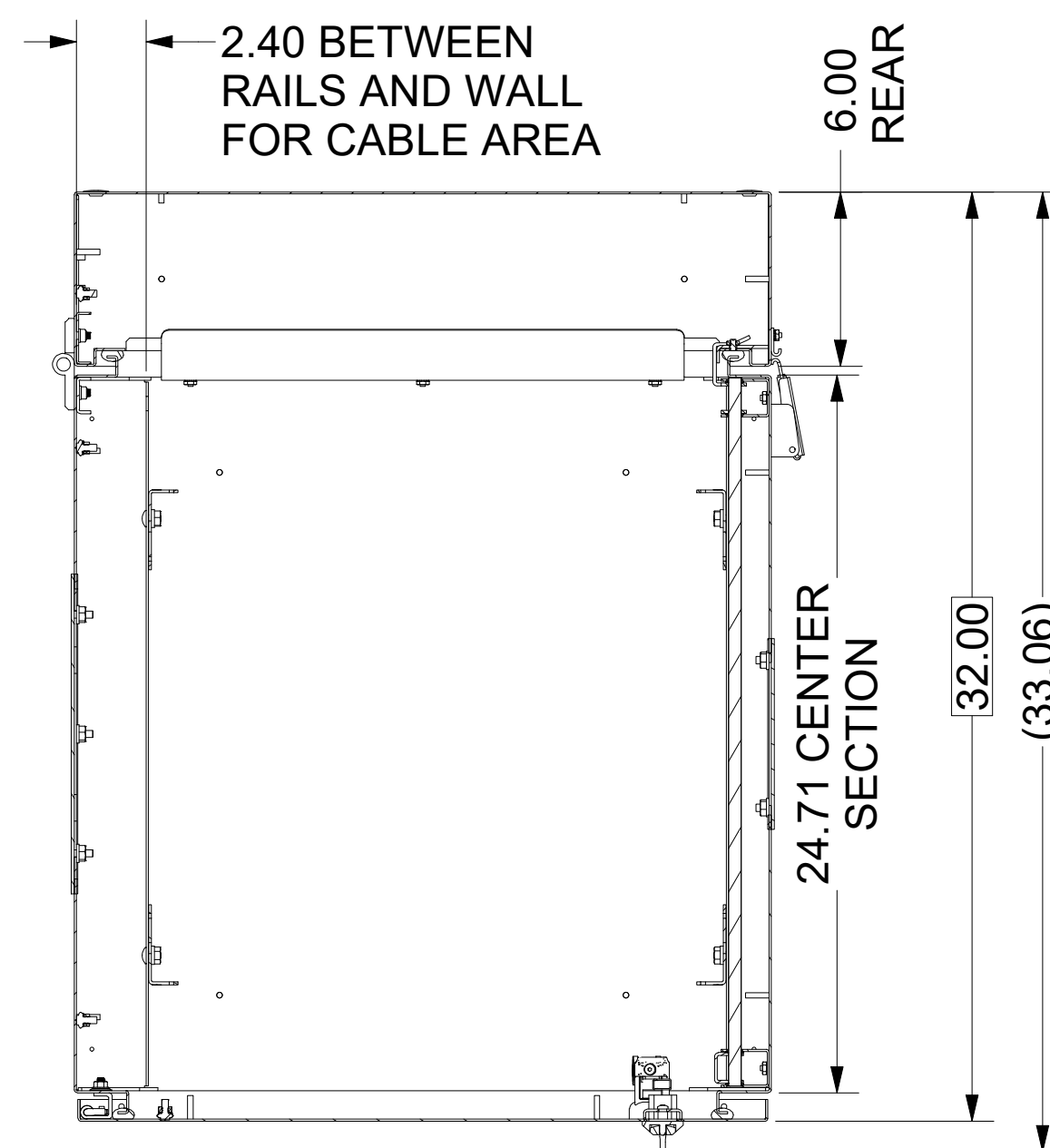


12-24 EQUIPMENT
MTG HOLES IN #12 GA RAILS
19" EIA 310-E COMPLIANT



DETAIL C
TYP ALL RMU



SECTION A-A

GLAND PLATE STYLE VARIES BASED
ON AIR FLOW CONFIGURATION;
SEE ADDITIONAL VIEWS

ENCLOSURE FULLY
REVERSIBLE

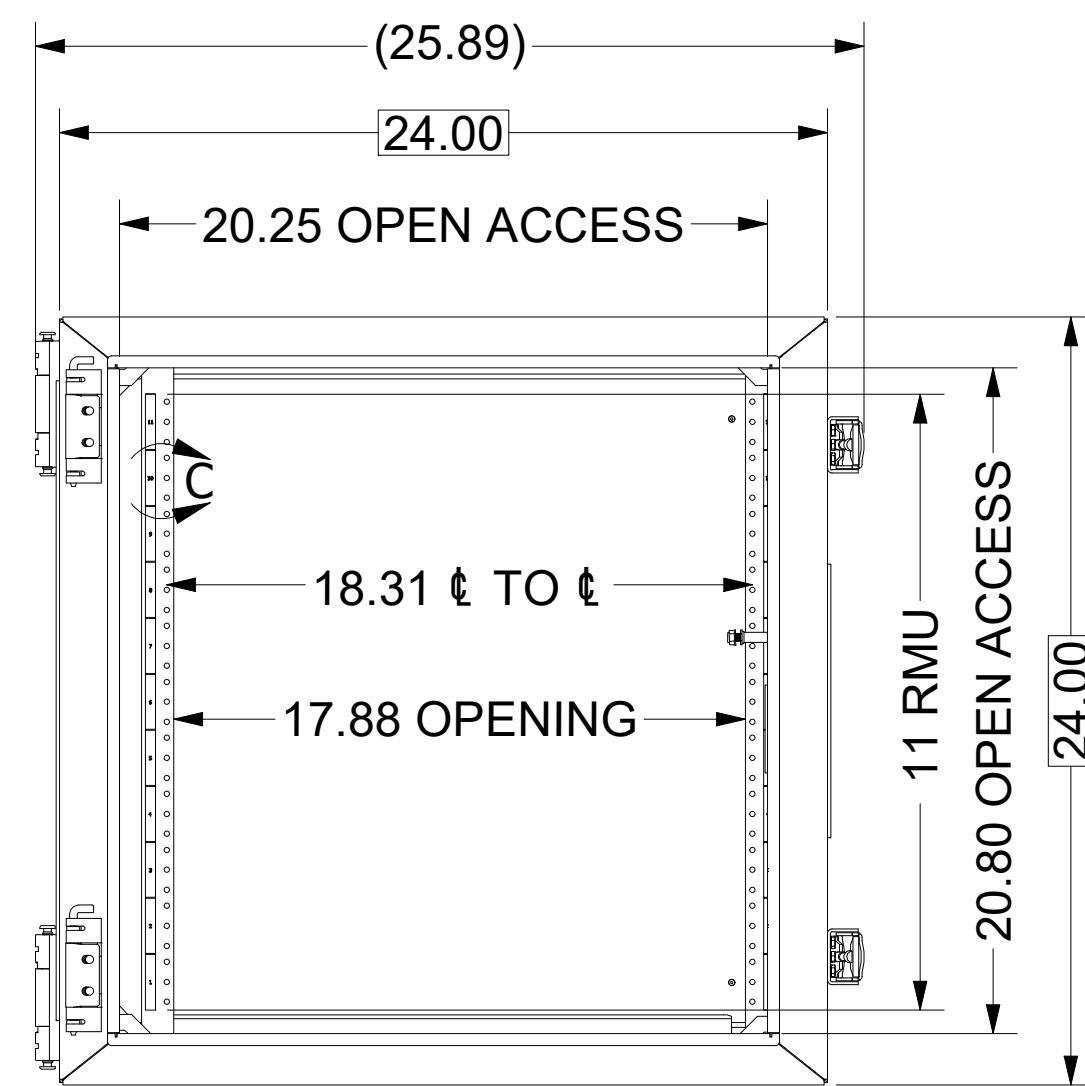
ENCLOSURE GROUNDED

KEYED #1333 SWING HANDLE
WITH HASP (3) PT LATCHING
(OPTIONAL HANDLES AVAILABLE)

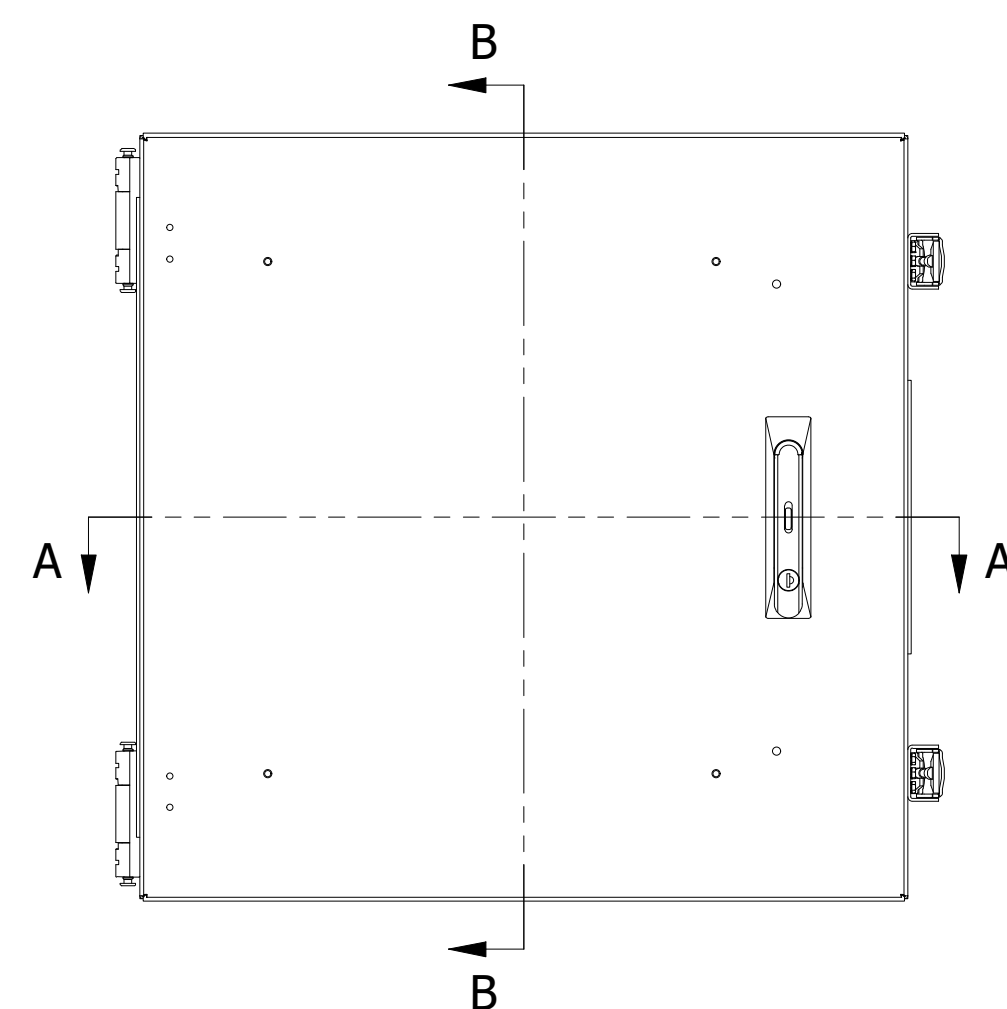
CENTER SECTION SECURED BY
OVER-CENTER LATCHES
CENTER LOCK

GLAND PLATE FOR
FAN/FILTER KIT;
ALWAYS INCLUDED
WITH WALL MOUNT

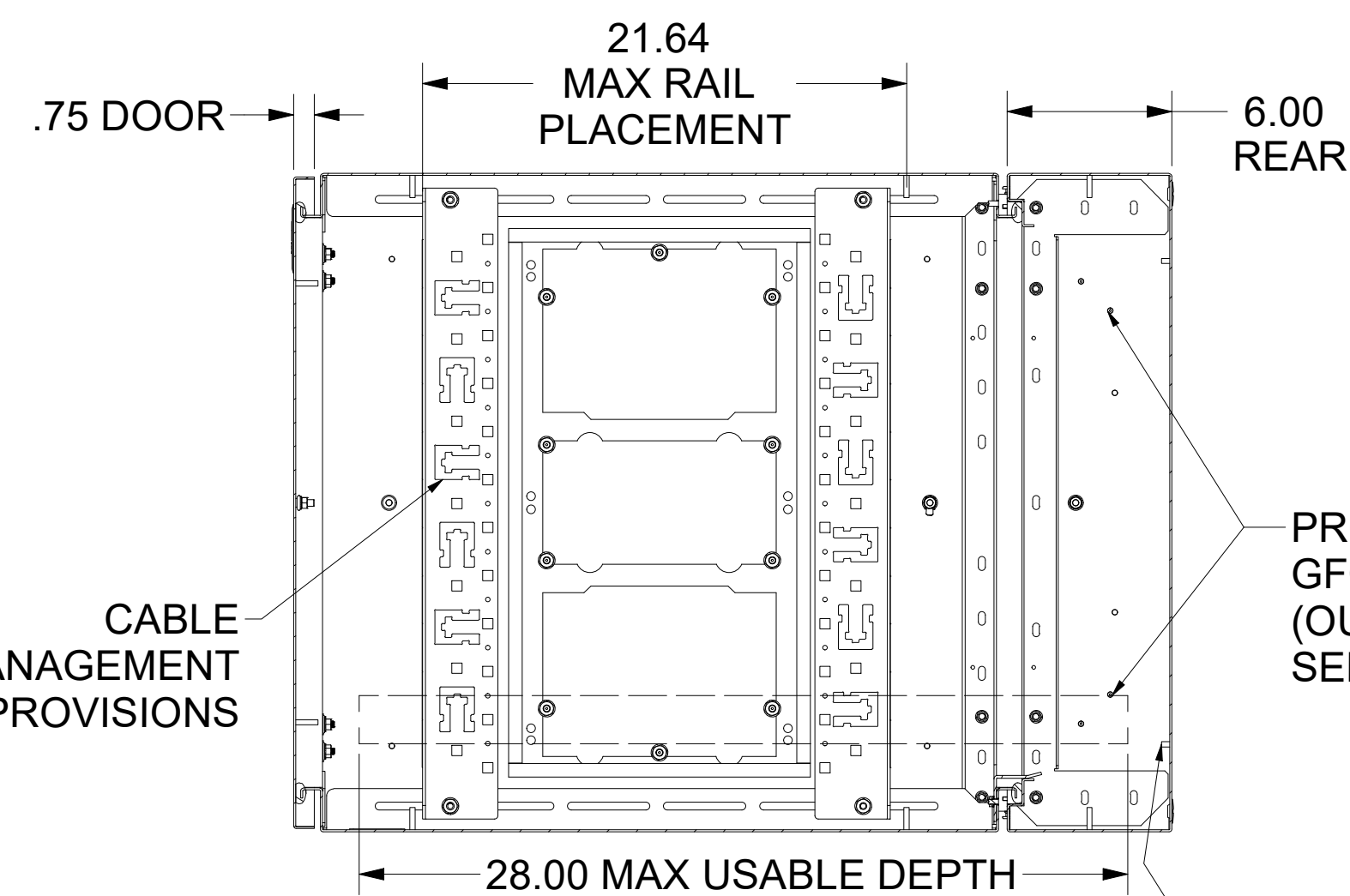
OPEN ISO VIEW



FRONT VIEW
DOOR NOT SHOWN



FRONT VIEW

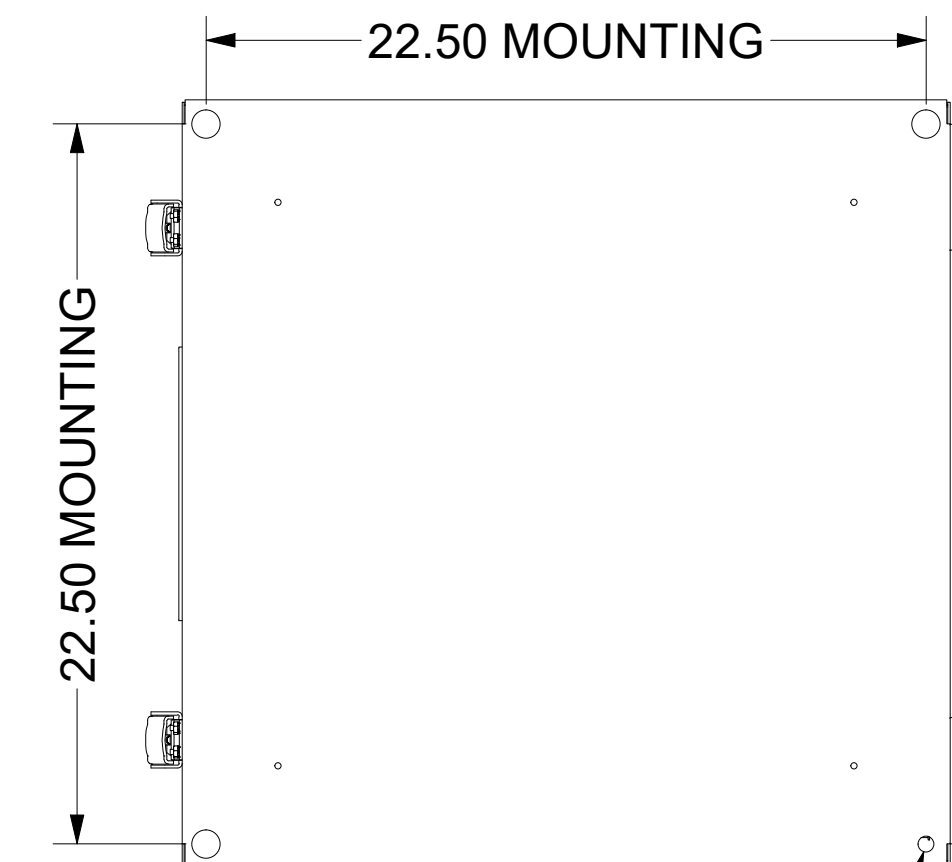


SECTION B-B

CABLE
MANAGEMENT
PROVISIONS

PROVISIONS FOR
GFCI OUTLET;
(OUTLET SOLD
SEPARATELY)

PROVISION FOR
BACK PANEL
(BACK PANEL
SOLD SEPARATELY)



REAR VIEW

Ø.50 MOUNTING HOLES
3/8" HARDWARE
RECOMMENDED
FOR MOUNTING

SPECIFICATIONS: BOX DOUBLE SWING WALL MOUNT - NEMA 4

RATING: NEMA-250 TYPE 4

RACK SPACES: 19" EIA 310-E COMPLIANT - (11) RMU

COLOR: RAL 7035 GRAY UV RATED POWDER COATING;
(OTHER COLOR OPTIONS AVAILABLE)

CONSTRUCTION: 2 PAIR OF #12GA CRS - #12-24 THREADED MOUNTING RAILS,
#14GA CRS CENTER BODY, REAR SECTION & FRONT DOOR

USABLE DEPTH: APPROX 28"

WEIGHT: 128.27 LBS

PART NUMBER: BXWM04-11U32-GY-SH-XXXXX

**SEE PAGE 3 AND 4 FOR AIRFLOW OPTION CONFIGURATIONS

CONFIGURATION CHART	
Using the attribute chart below, select an option from each column to designate a standard BOX Double Swing Wall Mount	
BASE UNIT	AIRFLOW**
BXWM04-11U32-GY-SH-XXXXX	00000 (NO AIRFLOW)
	FFKN4
	AC010
	AC020

INTERPRET DRAWING PER ASME Y14.5M-1994
DIMENSIONAL LIMITS APPLY AFTER APPLICATION OF FINISH
DRAWING NOT TO SCALE
TOLERANCE UNLESS OTHERWISE NOTED:
ANGULAR +/- 1°
.XXXX +/- .010
.XXX +/- .015
.XX +/- .030
.X FOR REF. ONLY

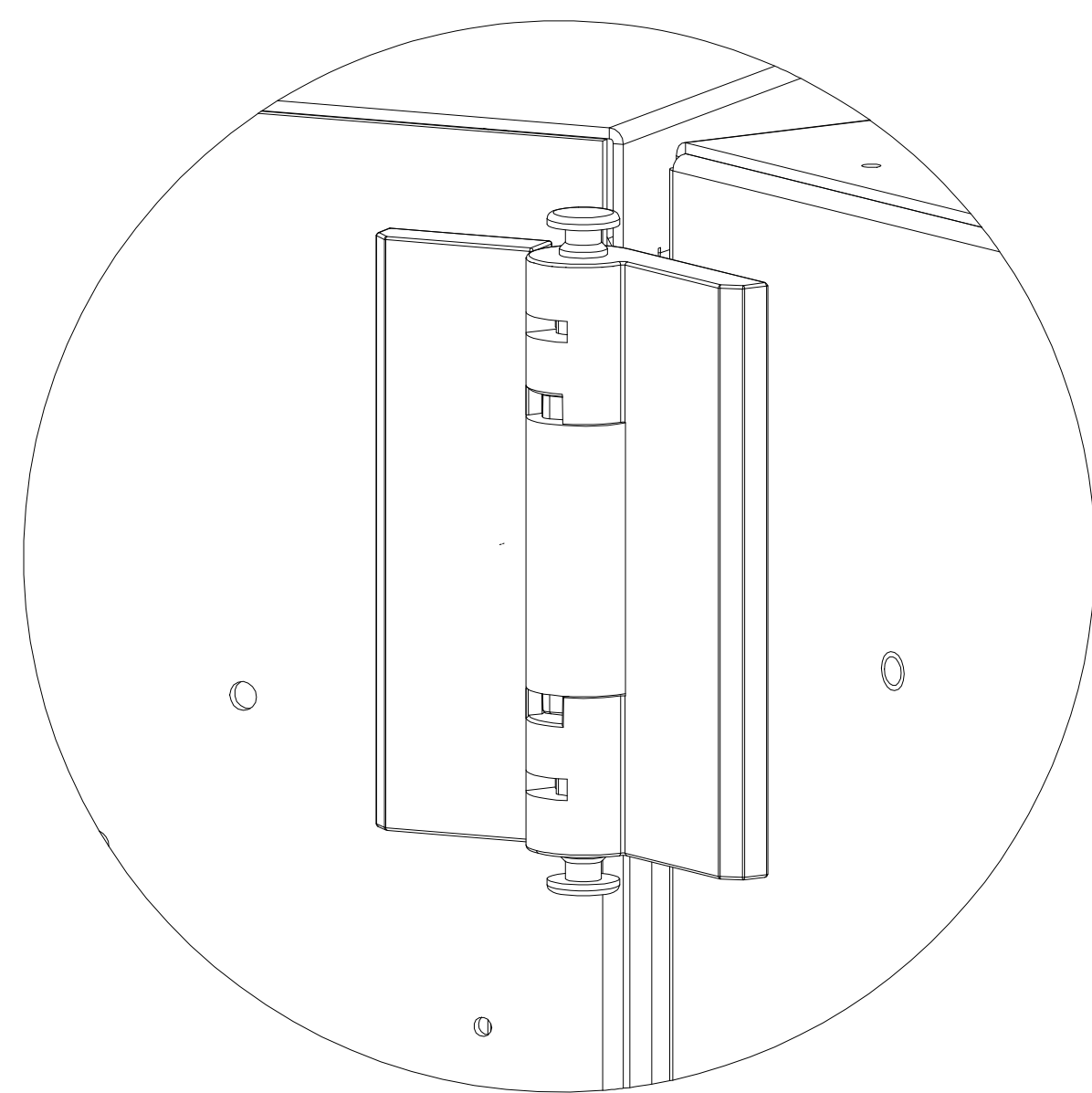
EST. WEIGHT:	N/A
THIRD ANGLE PROJECTION	

NOTICE:

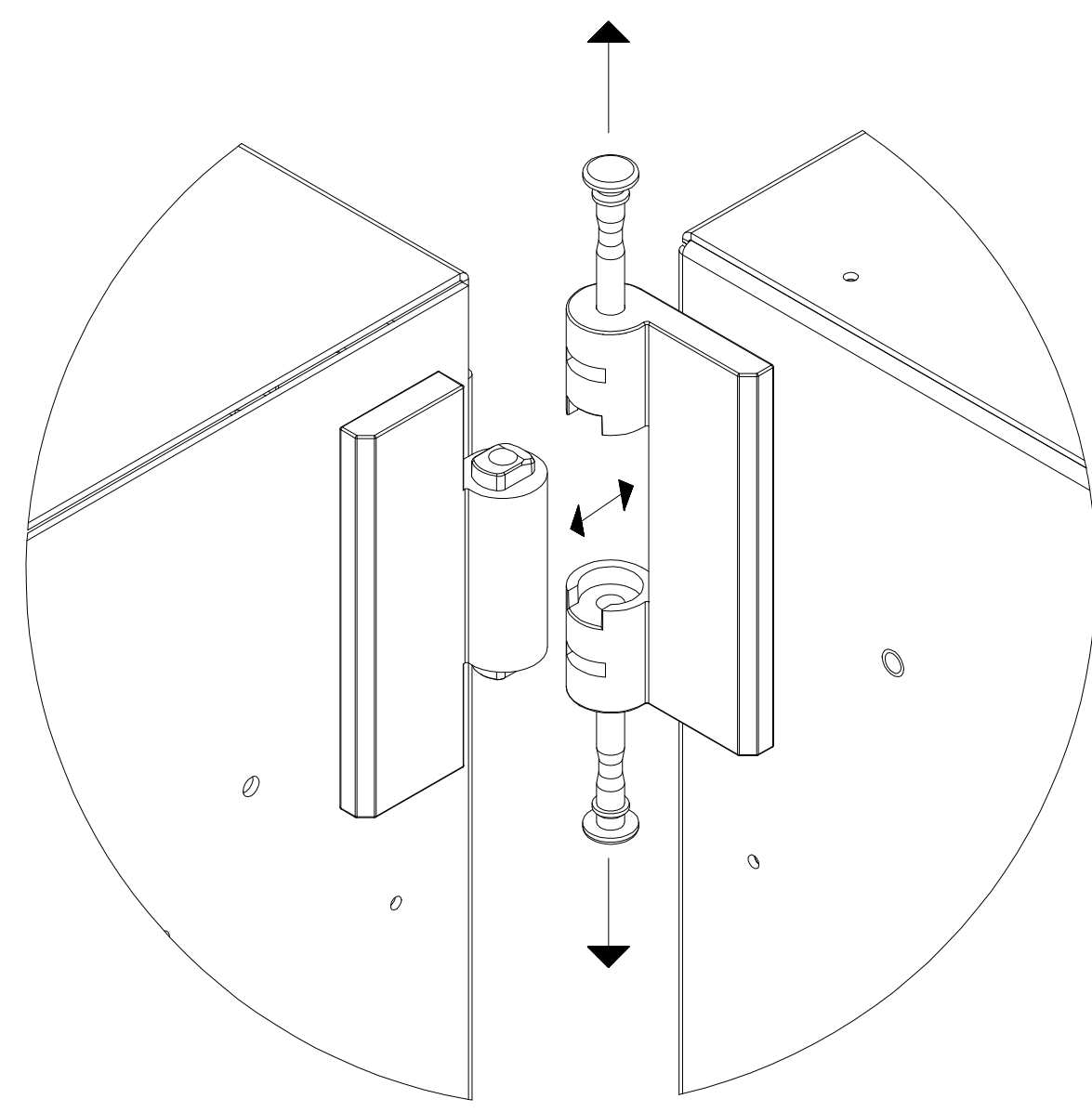
Use of this document is subject to a confidentiality and nondisclosure agreement with Great Lakes Data Racks & Cabinets and may not be reproduced, disclosed or utilized in whole or in part without prior written authorization from Great Lakes.

PART NUMBER:	SEE ABOVE
MATERIAL TYPE:	CRS
MATERIAL GAUGE:	
FINISH:	SEE NOTES
DRAWN	JWV
CHECKED & APP.	DATE 1/17/2024

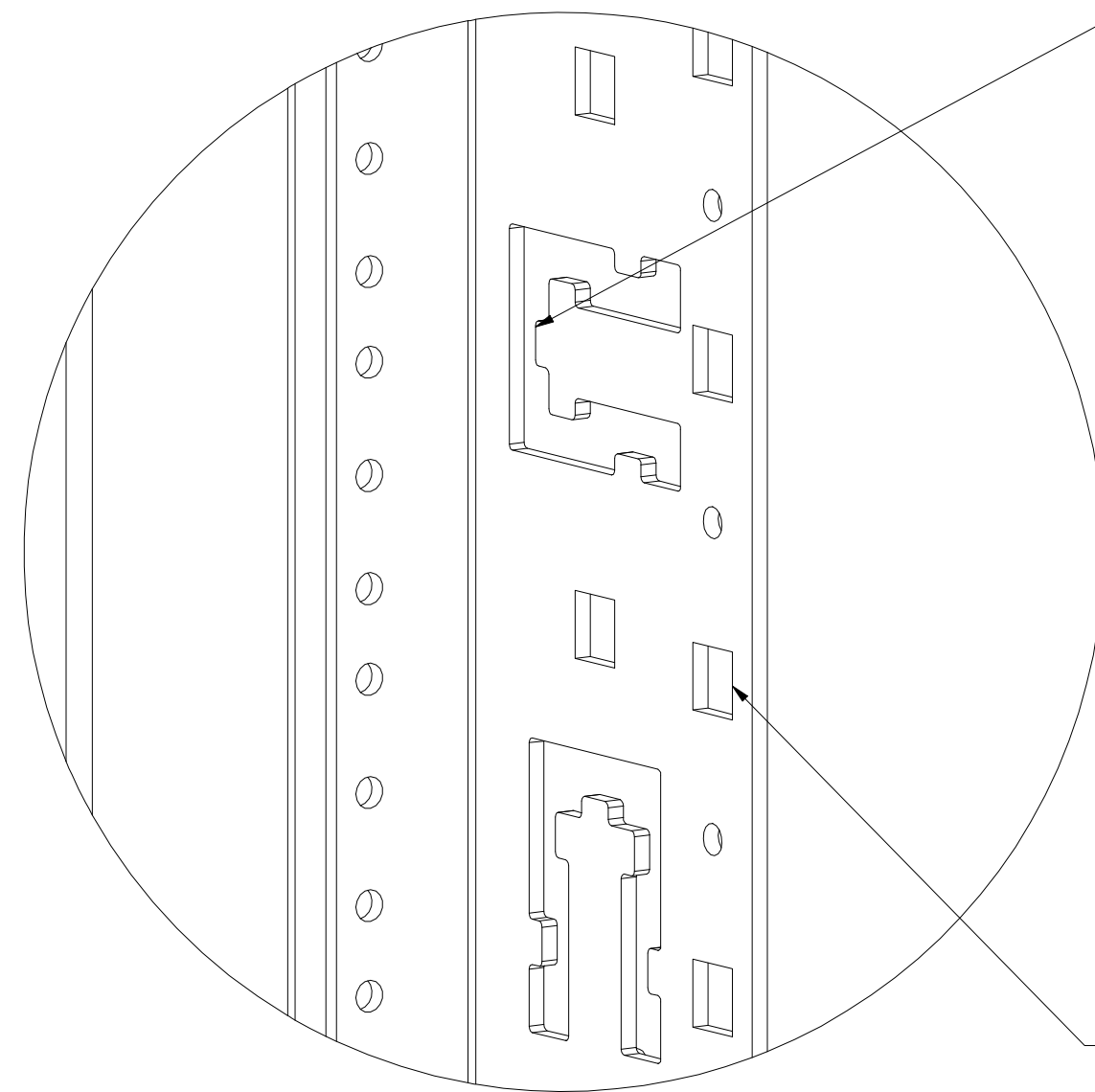
TITLE	11U (24"H) x 24"W x 32"D BOX DOUBLE SWING WALL MOUNT - NEMA 4
GREAT LAKES DATA RACKS & CABINETS	
P.O. BOX 551 EDINBORO, PA 16412	
PHONE (814) 734-7303 FAX (814) 734-3907	
E-MAIL info@greatcabinets.com	
DWG NO:	I-3765
REV	2
SHEET: 1 OF 4	



DETAIL E
HINGED VIEW
LOCKED POSITION



TURN THE CENTER SECTION
TO 90 DEGREES AND SLIDE OUT



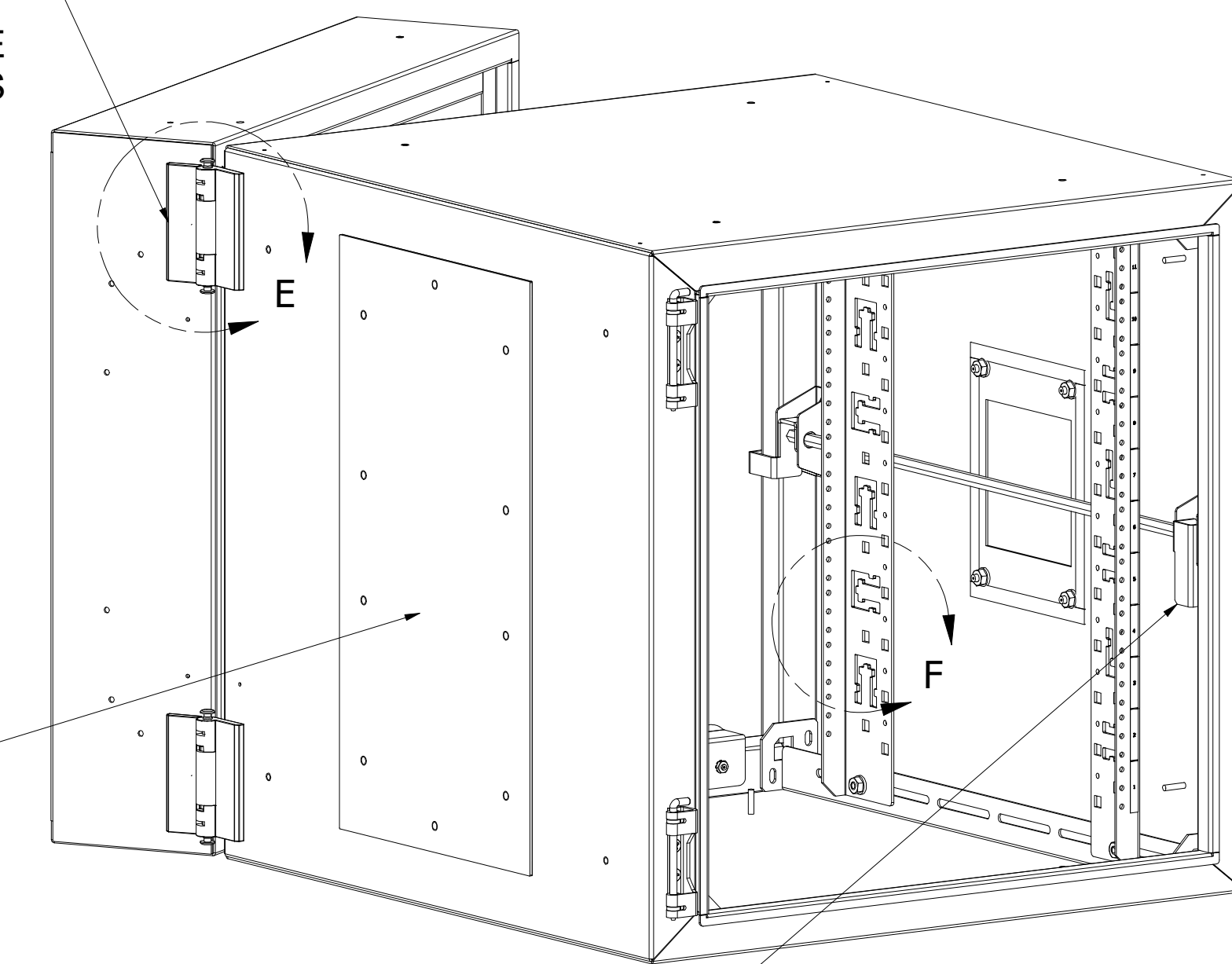
DETAIL F

CABLE MANAGEMENT
TIE POINTS ON MTG.
RAILS OUTSIDE OF EIA TO
USE WITH OPTIONAL CINCH STRAPS,
CM-01 OR CM-06

TOOL-LESS HINGE
(CENTER SECTION AND
REAR SECTION CAN ONLY
BE REMOVED WHEN HINGE
IS AT 90 DEGREES

SQUARE HOLE PATTERN
TO USE WITH OPTIONAL
1/4" TURN "D" RINGS,
CM-25

SOLID GLAND PLATE,
SHIPS WITH WALL MOUNT
WHEN CONFIGURED WITH
AN AC UNIT OR NO AIRFLOW;
IF USING AC, REMOVE PLATE
FOR AC INSTALLATION
(SEE SHEET 4)



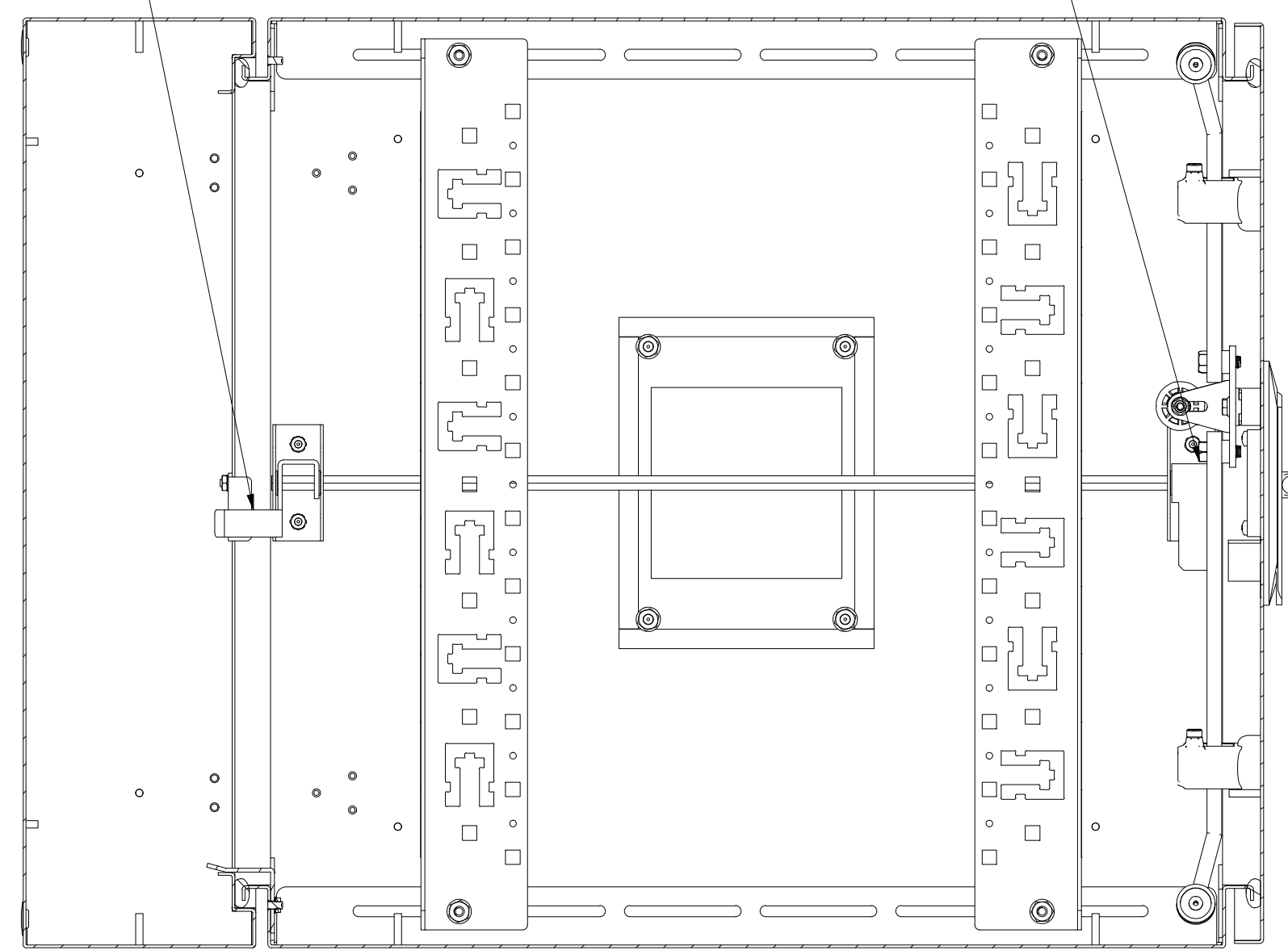
TO OPEN CENTER SECTION
(AWAY FROM REAR),
ROTATE HANDLE UP 90°
TO RELEASE SECURITY
SWING LATCH

THEN UNHOOK EXTERNAL
DRAW LATCHES

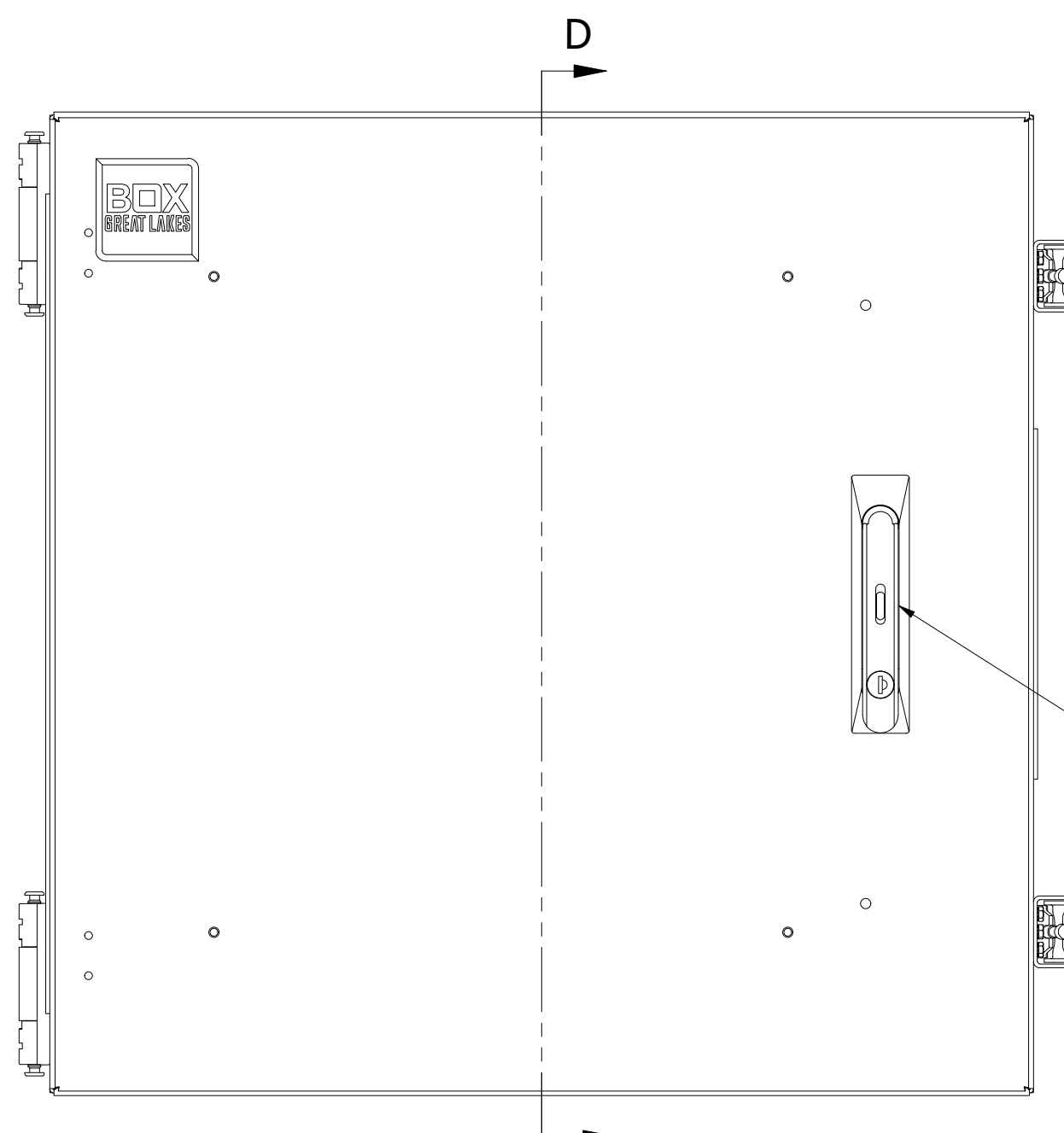
SWING LATCH NOT INTENDED
FOR INITIAL COMPRESSION

SECURITY SWING
LATCH

SECURITY SWING
HANDLE



SECTION D-D
INSIDE VIEW



FRONT VIEW

SWING HANDLE WITH HASP, KEYED 1333
(OPTIONAL HANDLES AVAILABLE)

PART NUMBER: BXWM04-11U32-GY-SH-XXXXX

NOTICE:

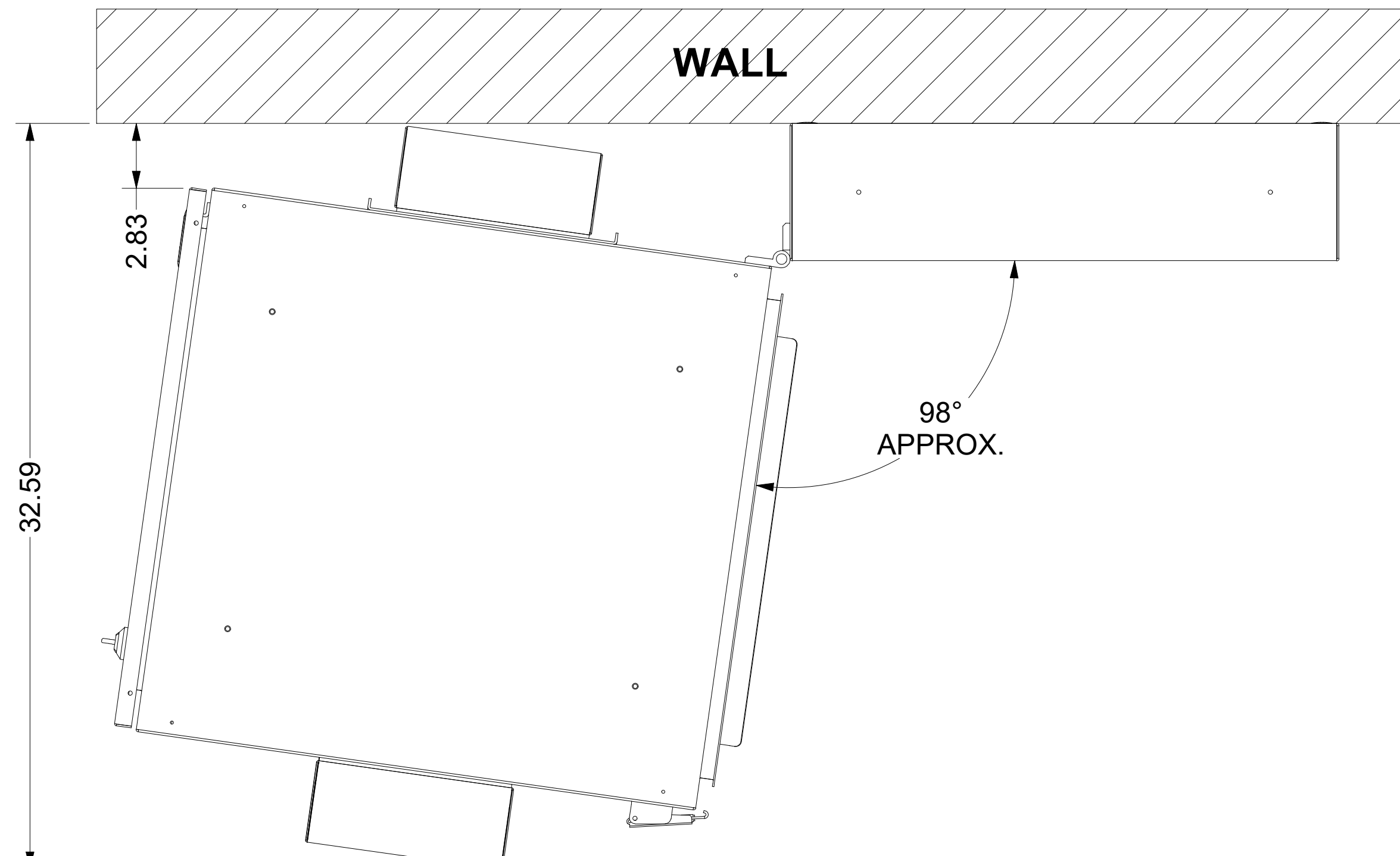
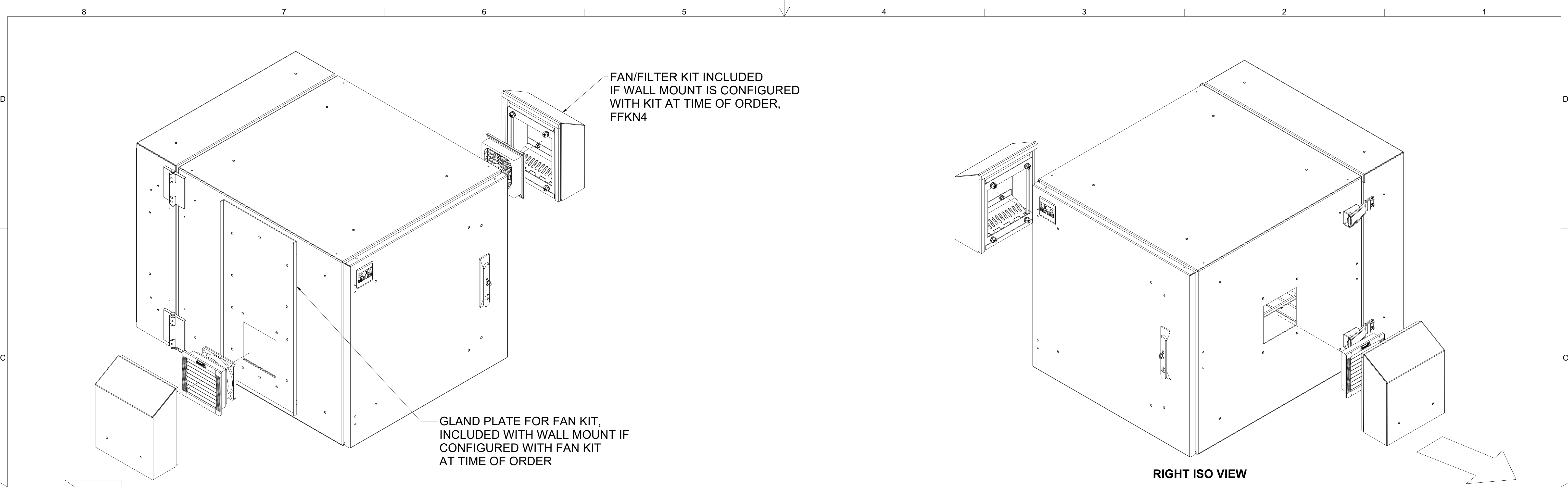
Use of this document is subject to a confidentiality and nondisclosure agreement with Great Lakes Data Racks & Cabinets and may not be reproduced, disclosed or utilized in whole or in part without prior written authorization from Great Lakes.

INTERPRET DRAWING PER ASME Y14.5M-1994
DIMENSIONAL LIMITS APPLY AFTER APPLICATION OF FINISH
DRAWING NOT TO SCALE
TOLERANCE UNLESS OTHERWISE NOTED:
ANGULAR +/- .1°
.XXXX +/- .010
.XXX +/- .015
.XX +/- .030
.X FOR REF. ONLY
UNLESS OTHERWISE SPECIFIED ALL DIMENSIONS ARE IN INCHES

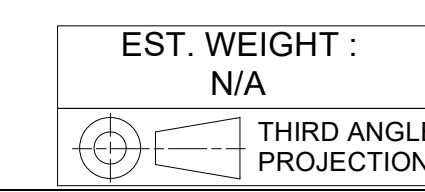
EST. WEIGHT : N/A
THIRD ANGLE PROJECTION

PART NUMBER: SEE ABOVE
MATERIAL TYPE: CRS
MATERIAL GAUGE: SEE NOTES
FINISH: SEE NOTES
DRAWN JWV
CHECKED & APP. DATE
DATE 1/17/2024

TITLE 11U (24"H) x 24"W x 32"D BOX DOUBLE SWING WALL MOUNT - NEMA 4
GREAT LAKES DATA RACKS & CABINETS P.O. BOX 551 EDINBORO, PA 16412 PHONE (814) 734-7303 FAX (814) 734-3907 E-MAIL info@greatcabinets.com
DWG NO: I-3765
REV 2
SHEET: 2 OF 4



AIR FLOW OPTIONS	
PART NO.	DESCRIPTION
00000	NO AIRFLOW
FFKN4	Fan/Filter Kit: NEMA 4; 28 CFM; 115VAC fan with 6-ft 5-15P Power cord; includes exhaust filter and two rain shrouds RAL 7035 Gray
AC010	AC Unit: 1000 BTU/h; 115V; 50/60 Hz; 300 Watts; R134a Refrigerant; 150W Heater included; SNMP Level 3 interface; IP 65/NEMA 4; 6-ft w. NEMA 5-15P Power cord; RAL 7035 Gray; 20"H x 10"W x 9.9"D; 31 lbs.; (Model 1830801)
AC020	AC Unit: 2000 BTU/h; 115V; 50/60 Hz; 600 Watts; R134a Refrigerant; 500W Heater included; SNMP Level 3 interface; IP 65/NEMA 4; 6-ft w. NEMA 5-15P Power cord; RAL 7035 Gray; 20"H x 10"W x 9.9"D; 40.7 lbs.; (Model 1830803)



INTERPRET DRAWING PER ASME Y14.5M-1994
DIMENSIONAL LIMITS APPLY AFTER APPLICATION OF FINISH
DRAWING NOT TO SCALE
TOLERANCE UNLESS OTHERWISE NOTED:
ANGULAR +/- .1°
.XXXX +/- .010
.XXX +/- .015
.XX +/- .030
.X FOR REF. ONLY
UNLESS OTHERWISE SPECIFIED ALL DIMENSIONS ARE IN INCHES

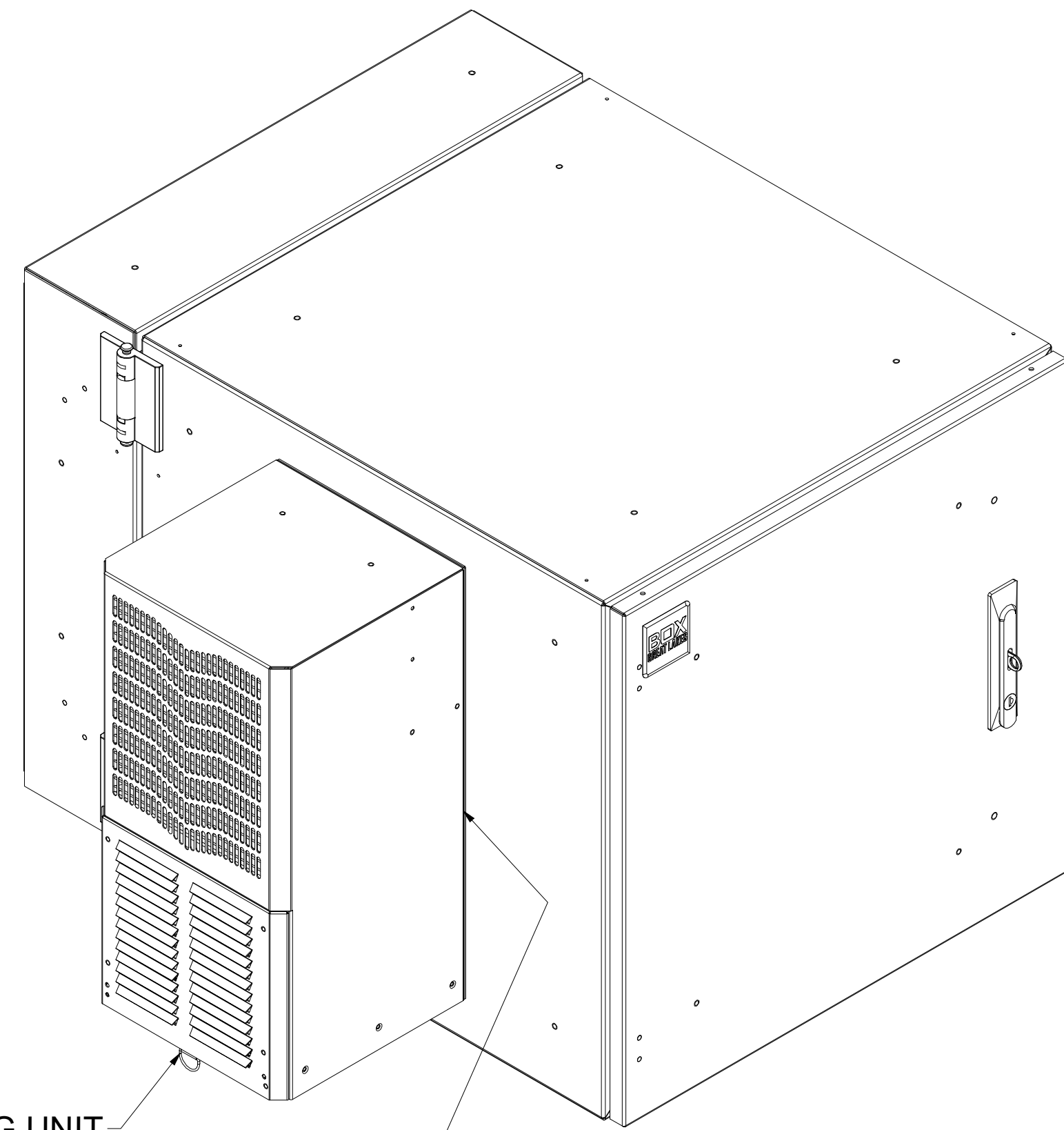
NOTICE:

Use of this document is subject to a confidentiality and nondisclosure agreement with Great Lakes Data Racks & Cabinets and may not be reproduced, disclosed or utilized in whole or in part without prior written authorization from Great Lakes.

PART NUMBER:	SEE ABOVE
MATERIAL TYPE:	CRS
MATERIAL GAUGE:	
FINISH:	SEE NOTES
DRAWN	DATE
JWV	6/12/2023
CHECKED & APP.	DATE

TITLE	11U (24"H) x 24"W x 32"D BOX DOUBLE SWING WALL MOUNT - NEMA 4		
GREAT LAKES DATA RACKS & CABINETS			
P.O. BOX 551 EDINBORO, PA 16412			
PHONE (814) 734-7303 FAX (814) 734-3907			
E-MAIL info@greatcabinets.com			
DWG NO:	REV	SHEET: 3 OF 4	
I-3765	2		

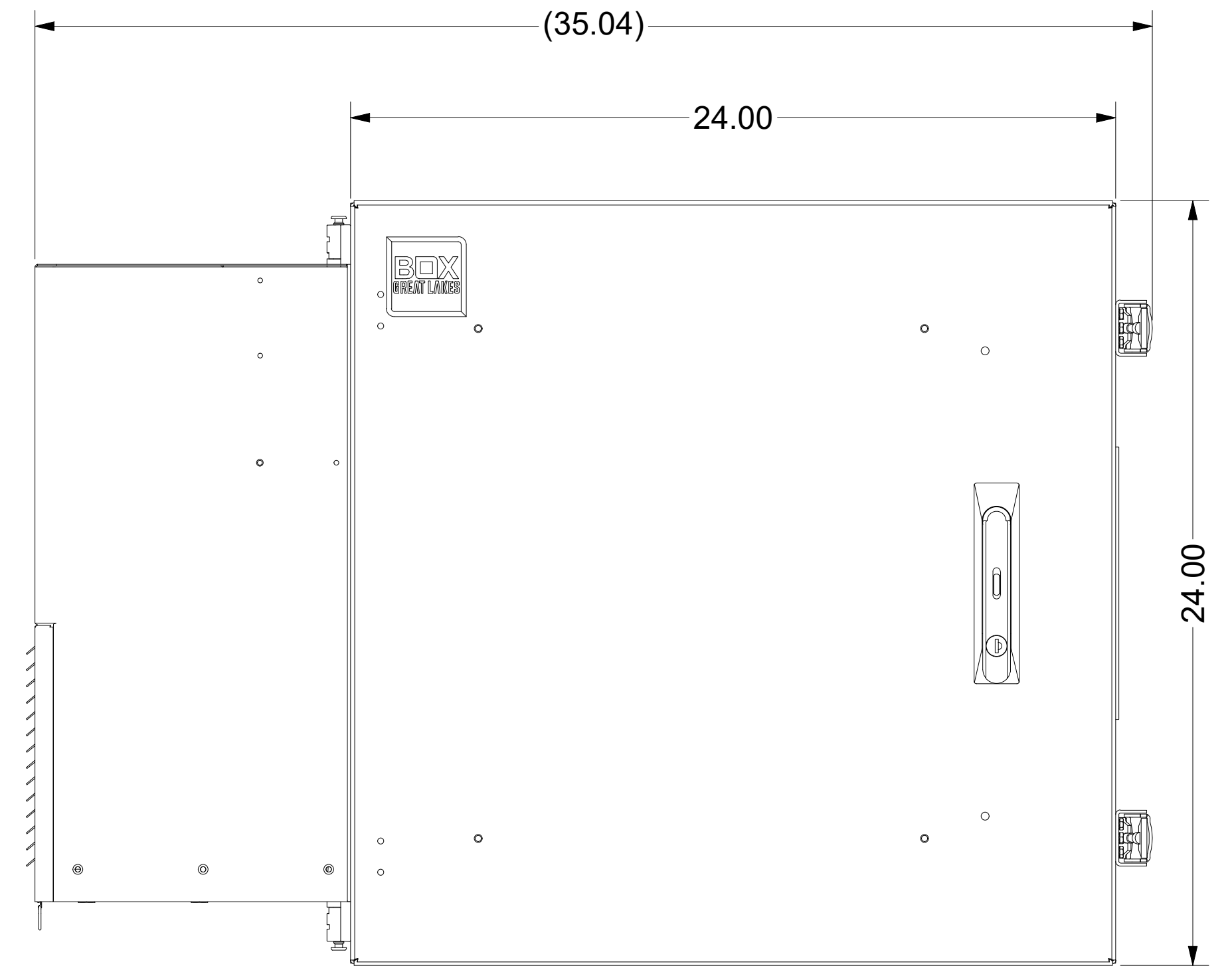
PART NUMBER: BXWM04-11U32-GY-SH-XXXXX



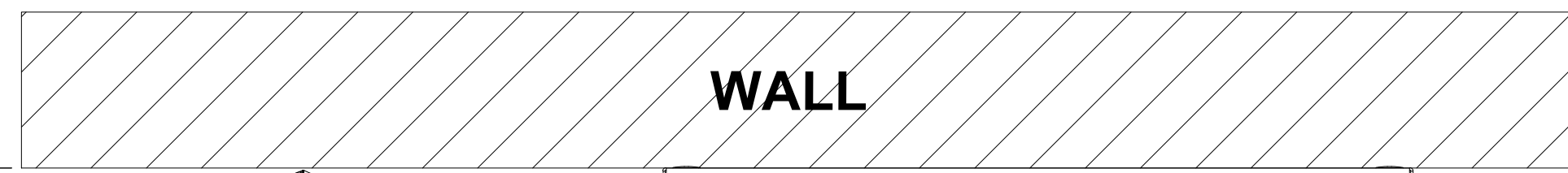
LEFT ISO VIEW

AIR CONDITIONING UNIT INCLUDED (NOT INSTALLED) IF WALL MOUNT IS CONFIGURED WITH KIT AT TIME OF ORDER, AC010 OR AC020

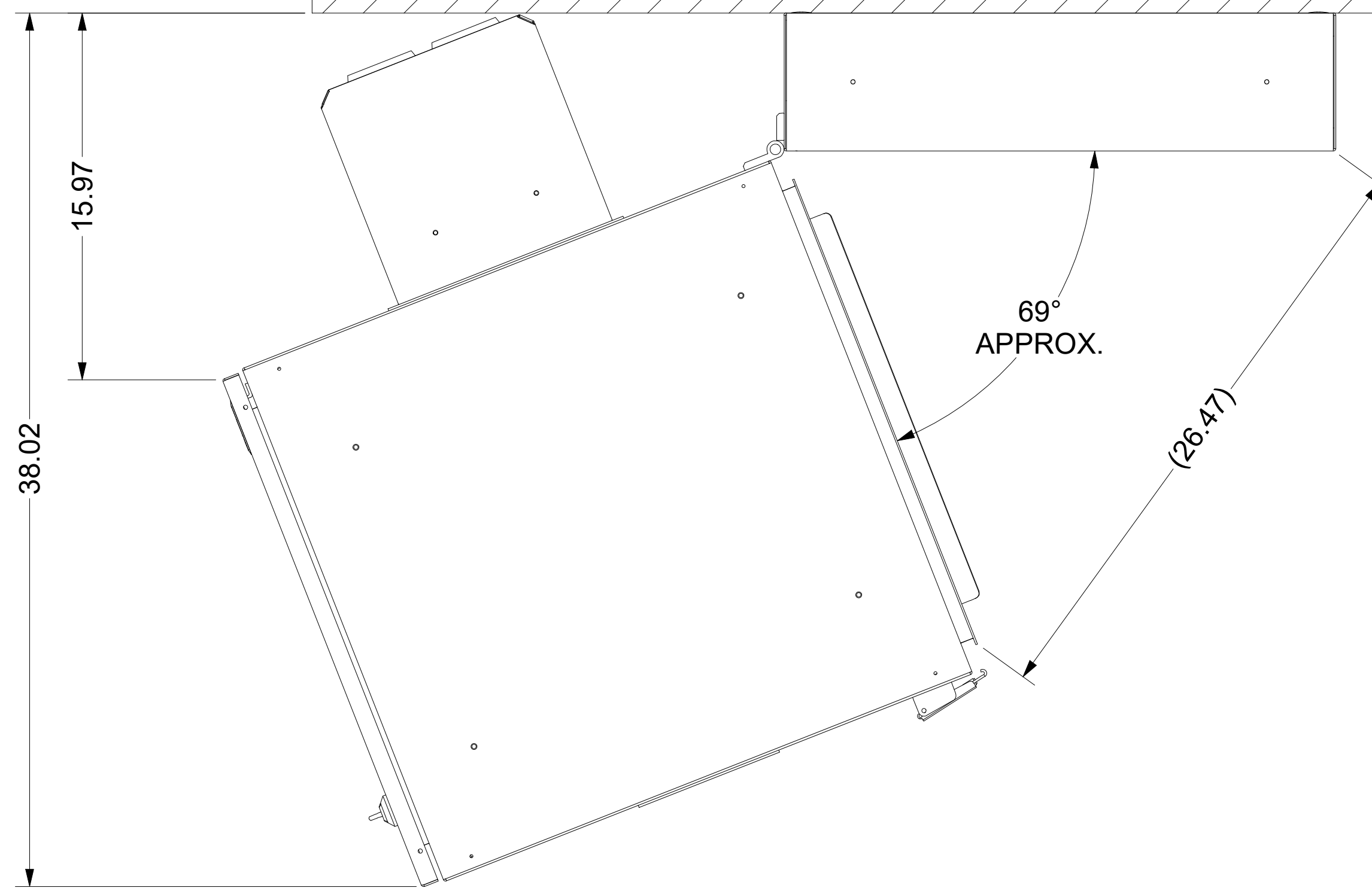
REVERSIBLE MOUNTING FOR LEFT OR RIGHT-HAND OPENING (NOTE: AC WILL ALWAYS INSTALL ON HINGE SIDE)



FRONT VIEW



WALL



OPEN TOP VIEW

PART NUMBER: BXWM04-11U32-GY-SH-XXXXX

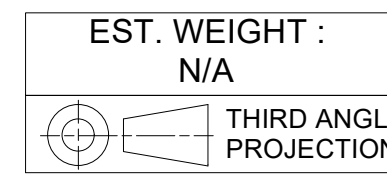
AIR FLOW OPTIONS	
PART NO.	DESCRIPTION
00000	NO AIRFLOW
FFKN4	Fan/Filter Kit: NEMA 4; 28 CFM; 115VAC fan with 6-ft 5-15P Power cord; includes exhaust filter and two rain shrouds RAL 7035 Gray
AC010	AC Unit: 1000 BTU/h; 115V; 50/60 Hz; 300 Watts; R134a Refrigerant; 150W Heater included; SNMP Level 3 interface; IP 65/NEMA 4; 6-ft w. NEMA 5-15P Power cord; RAL 7035 Gray; 20"H x 10"W x 9.9"D; 31 lbs.; (Model 1830801)
AC020	AC Unit: 2000 BTU/h; 115V; 50/60 Hz; 600 Watts; R134a Refrigerant; 500W Heater included; SNMP Level 3 interface; IP 65/NEMA 4; 6-ft w. NEMA 5-15P Power cord; RAL 7035 Gray; 20"H x 10"W x 9.9"D; 40.7 lbs.; (Model 1830803)

INTERPRET DRAWING PER ASME Y14.5M-1994
DIMENSIONAL LIMITS APPLY AFTER APPLICATION OF FINISH
DRAWING NOT TO SCALE
TOLERANCE UNLESS OTHERWISE NOTED:
ANGULAR +/- .1°
.XXXX +/- .010
.XXX +/- .015
.XX +/- .030
.X FOR REF. ONLY
UNLESS OTHERWISE SPECIFIED ALL DIMENSIONS ARE IN INCHES

NOTICE:
Use of this document is subject to a confidentiality and nondisclosure agreement with Great Lakes Data Racks & Cabinets and may not be reproduced, disclosed or utilized in whole or in part without prior written authorization from Great Lakes.

PART NUMBER:	SEE ABOVE
MATERIAL TYPE:	CRS
MATERIAL GAUGE:	
FINISH:	SEE NOTES
DRAWN	DATE
JWV	1/17/2024
CHECKED & APP.	DATE

TITLE	11U (24"H) x 24"W x 32"D BOX DOUBLE SWING WALL MOUNT - NEMA 4		
	GREAT LAKES DATA RACKS & CABINETS		
	P.O. BOX 551 EDINBORO, PA 16412		
	PHONE (814) 734-7303 FAX (814) 734-3907		
	E-MAIL info@greatcabinets.com		
DWG NO:	REV	SHEET: 4 OF 4	
I-3765	2		



EST. WEIGHT :
N/A

THIRD ANGLE PROJECTION