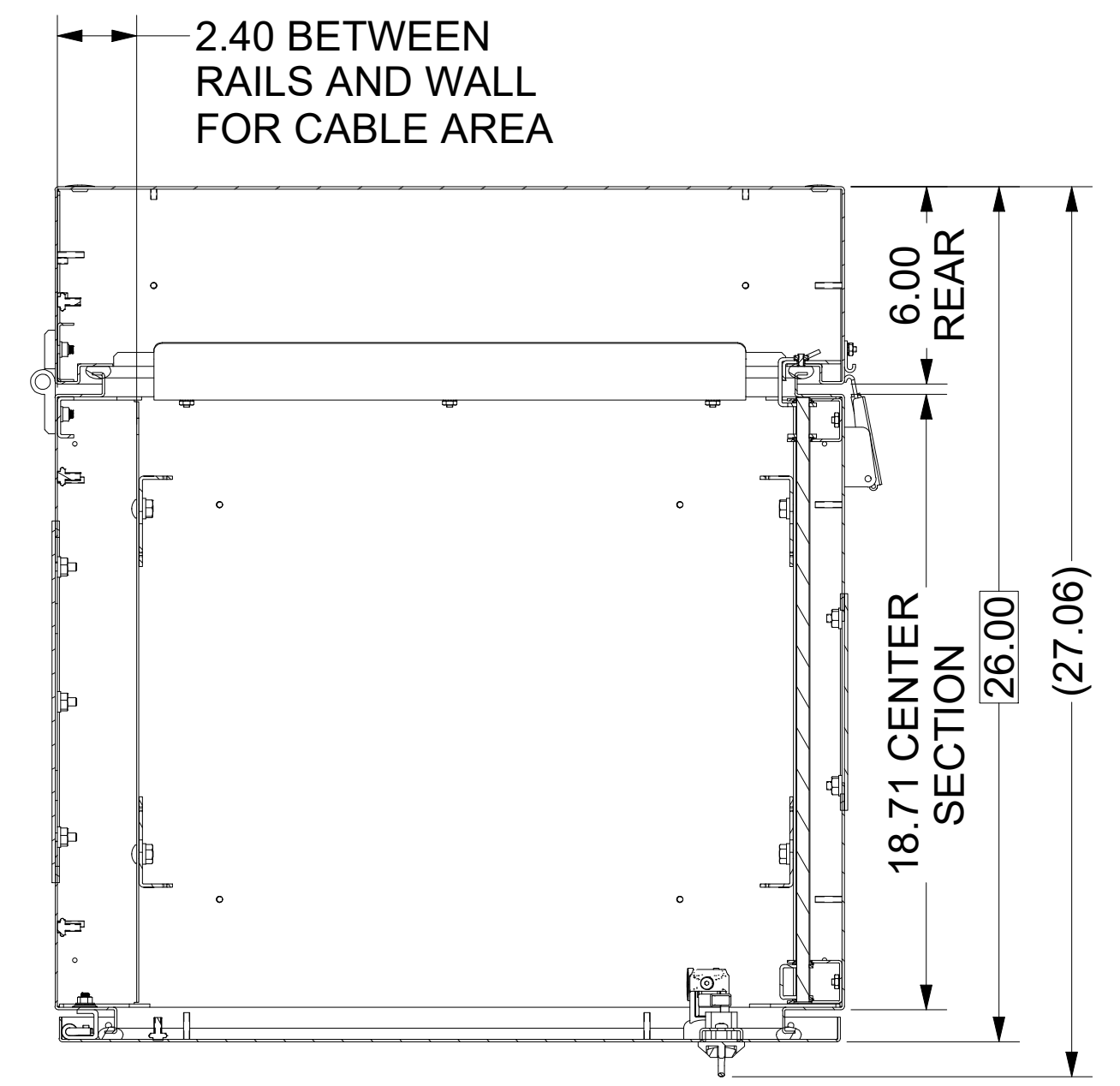
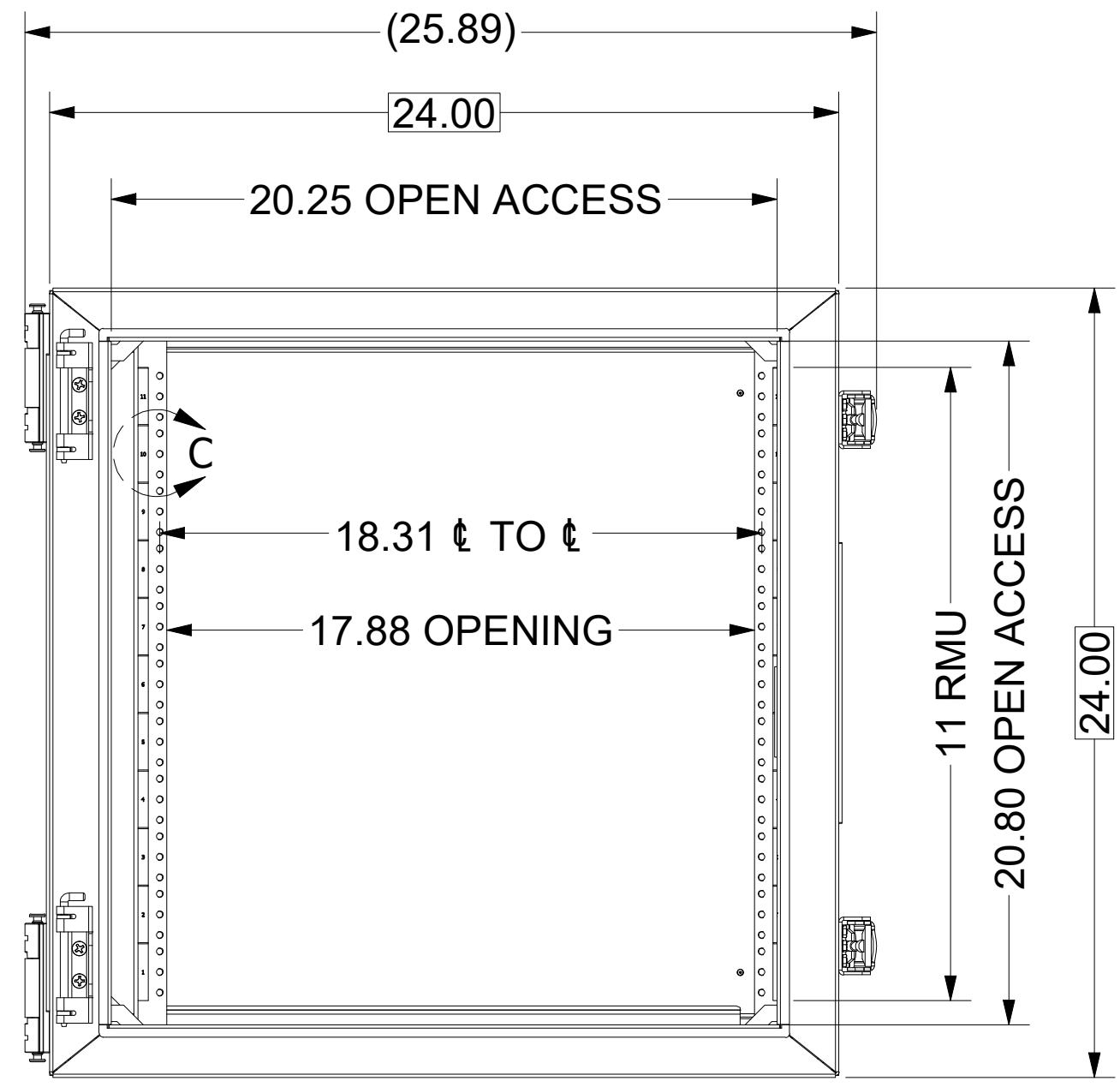


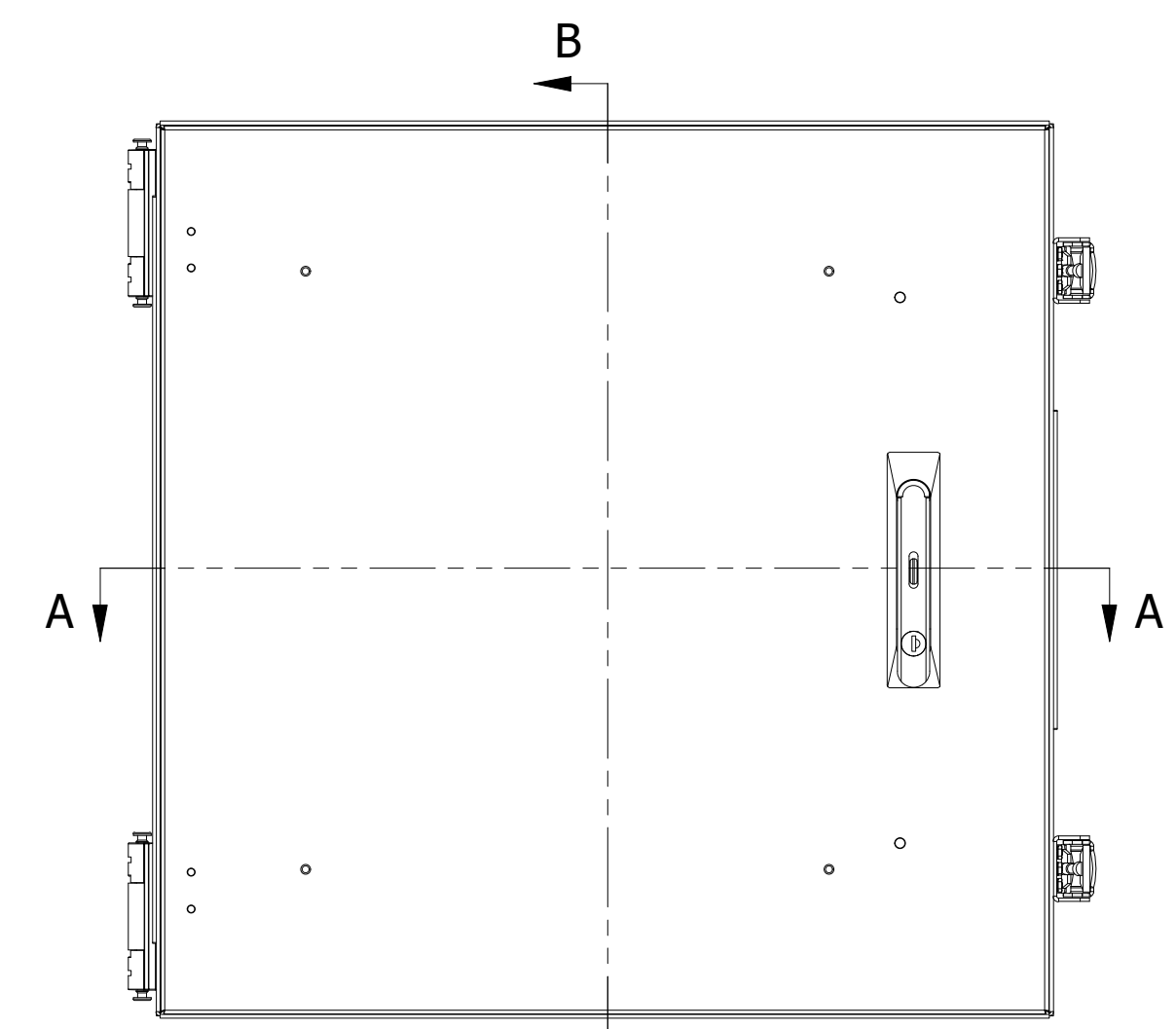
**DETAIL C**  
TYP ALL RMU



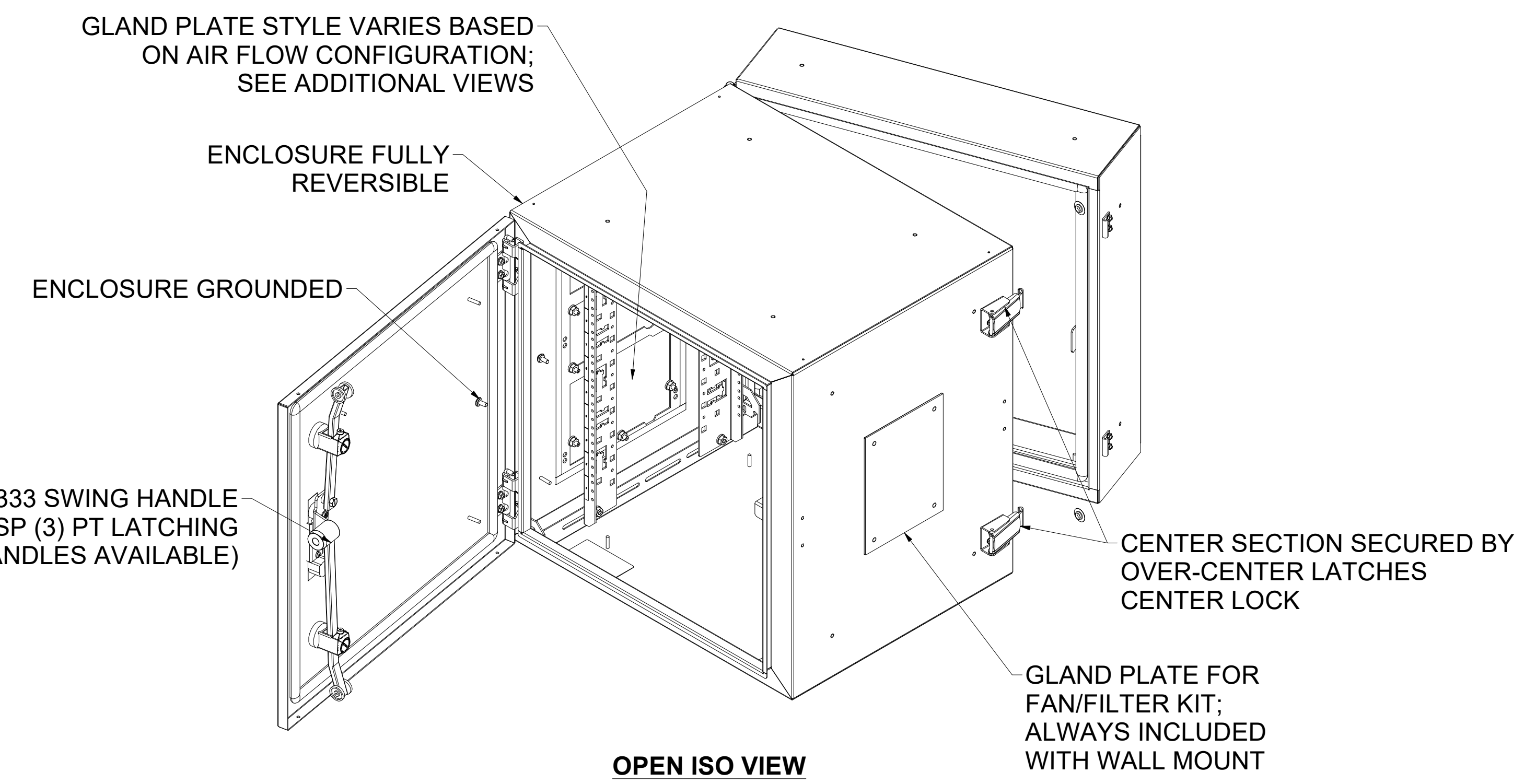
**SECTION A-A**



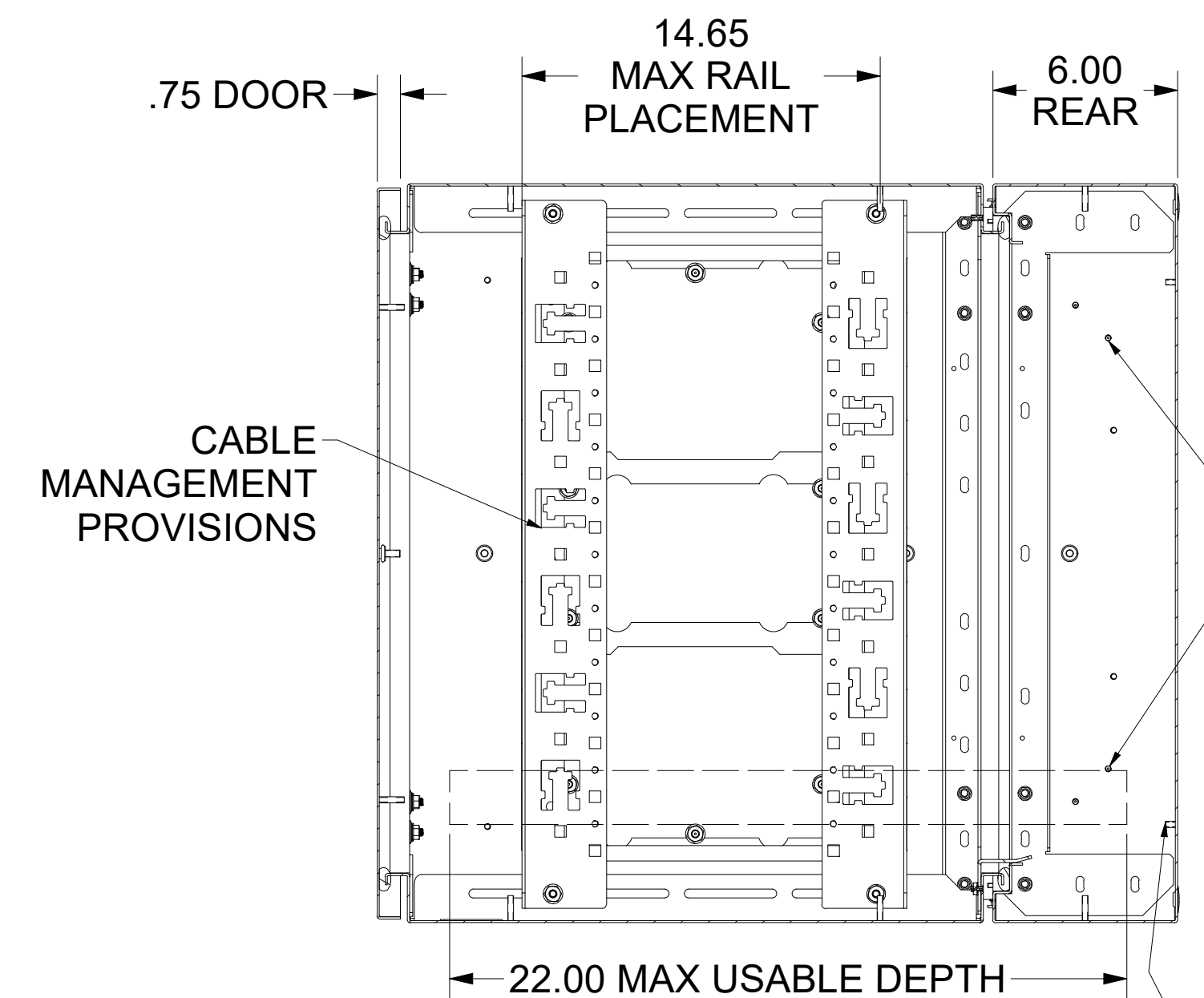
**FRONT VIEW**  
DOOR NOT SHOWN



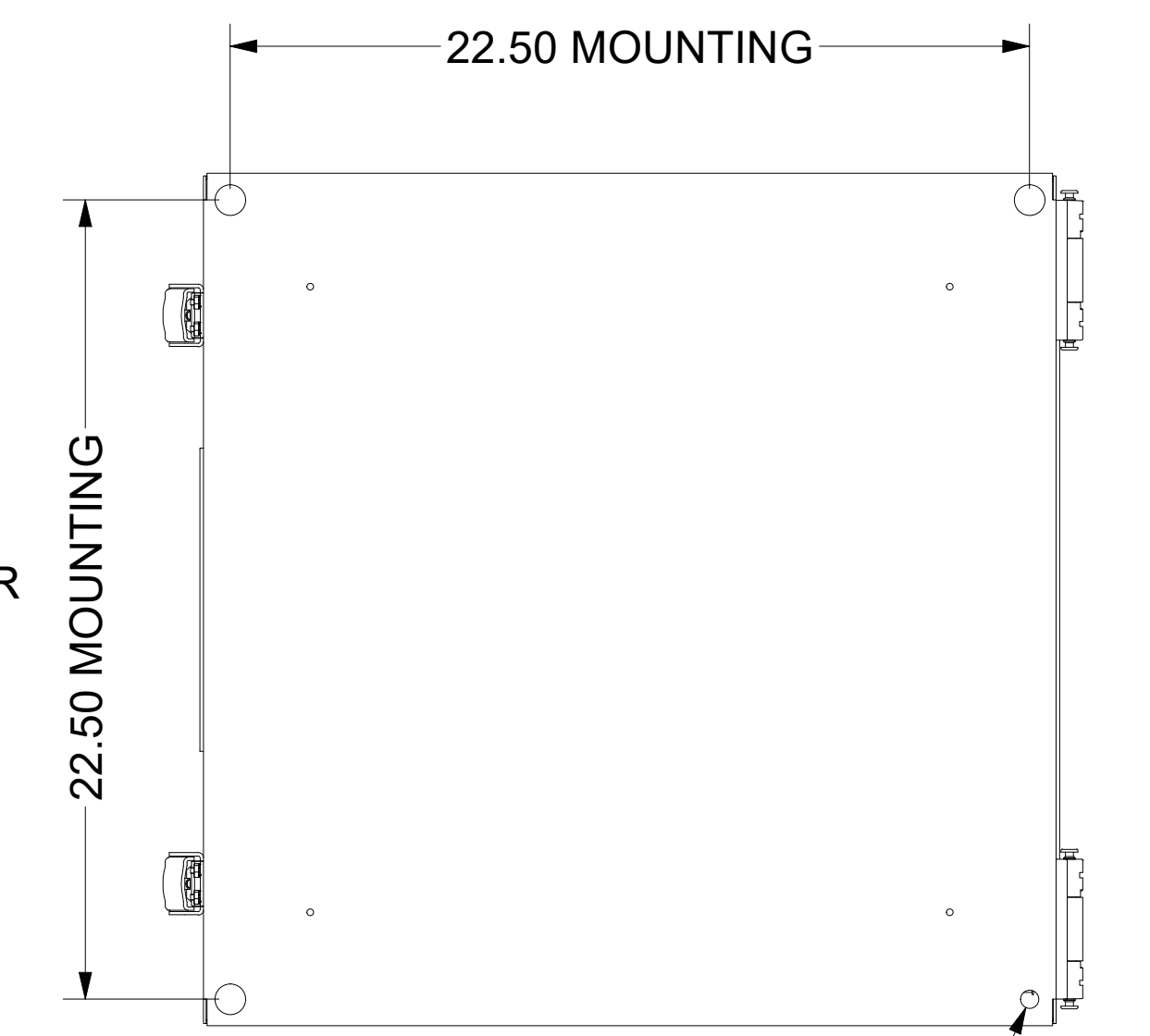
**FRONT VIEW**



**OPEN ISO VIEW**



**SECTION B-B**  
INSIDE VIEW  
HINGE SIDE



**REAR VIEW**  
Ø.50 MOUNTING HOLES  
3/8" HARDWARE  
RECOMMENDED  
FOR MOUNTING

**SPECIFICATIONS: BOX DOUBLE SWING WALL MOUNT - NEMA 4**

**RATING:** NEMA-250 TYPE 4  
**RACK SPACES:** 19" EIA 310-E COMPLIANT - (11) RMU  
**COLOR:** RAL 7035 GRAY UV RATED POWDER COATING; (OTHER COLOR OPTIONS AVAILABLE)  
**CONSTRUCTION:** 2 PAIR OF #12GA CRS - #12-24 THREADED MOUNTING RAILS, #14GA CRS CENTER BODY, REAR SECTION & FRONT DOOR  
**USABLE DEPTH:** APPROX 22"  
**WEIGHT:** 114.80 LBS

**PART NUMBER: BXWM04-11U26-GY-SH-XXXXX**

**\*\*SEE PAGE 3 AND 4 FOR AIRFLOW OPTION CONFIGURATIONS**

CONFIGURATION CHART	
Using the attribute chart below, select an option from each column to designate a standard BOX Double Swing Wall Mount	
BASE UNIT	AIRFLOW**
BXWM04-11U26-GY-SH-XXXXX	00000 (NO AIRFLOW)
	FFKN4
	AC010
	AC020

EST. WEIGHT :  
114.433 lbs

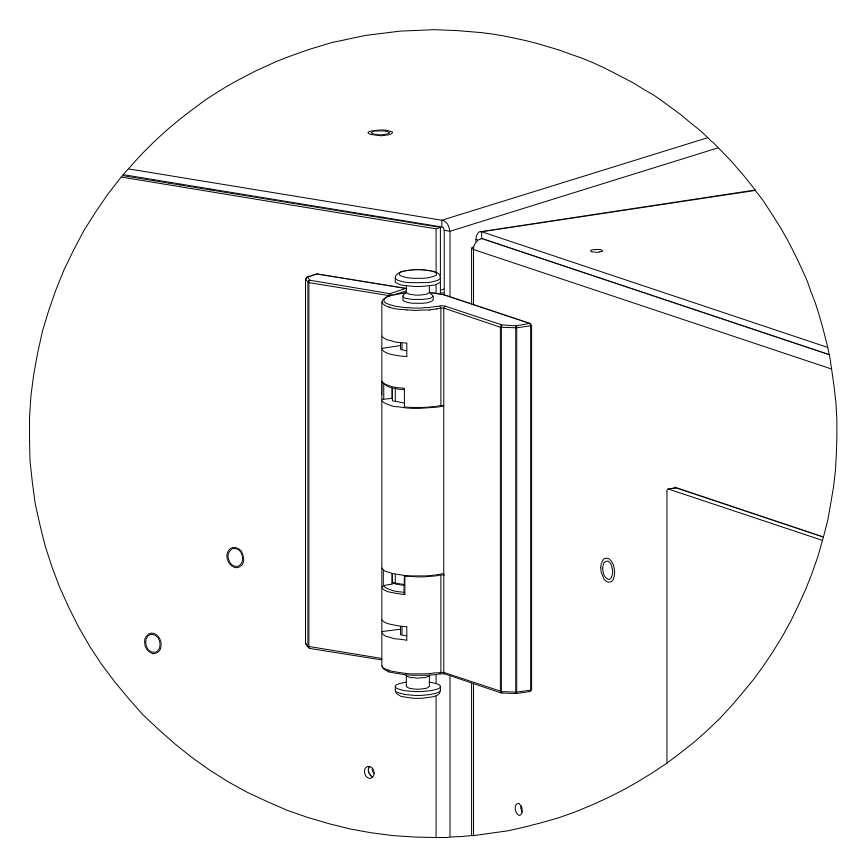
INTERPRET DRAWING PER ASME Y14.5M-1994  
 DIMENSIONAL LIMITS APPLY AFTER APPLICATION OF FINISH  
 DRAWING NOT TO SCALE  
 TOLERANCE UNLESS OTHERWISE NOTED:  
 ANGULAR +/- .1°  
 .XXXX +/- .010  
 .XXX +/- .015  
 .XX +/- .030  
 .X FOR REF. ONLY  
 UNLESS OTHERWISE SPECIFIED ALL DIMENSIONS ARE IN INCHES

**NOTICE:**  
 Use of this document is subject to a confidentiality and nondisclosure agreement with Great Lakes Data Racks & Cabinets and may not be reproduced, disclosed or utilized in whole or in part without prior written authorization from Great Lakes.

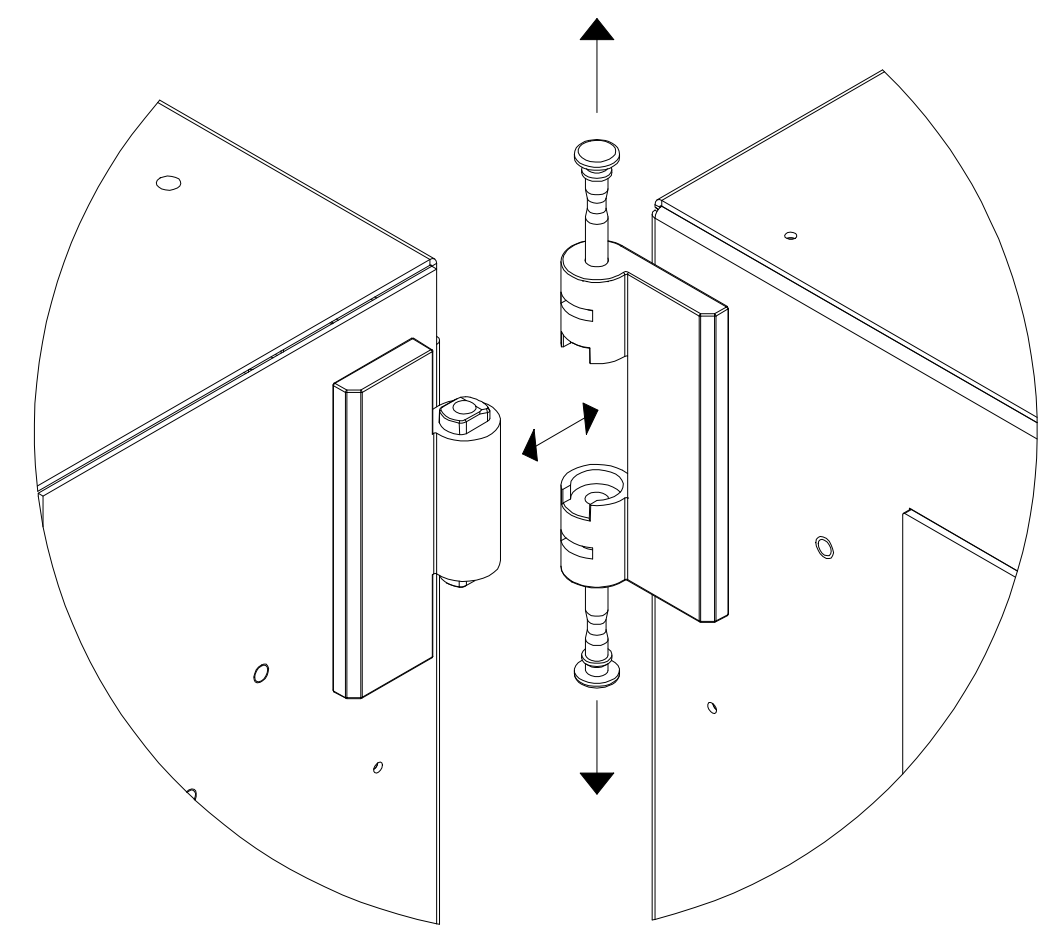
PART NUMBER: SEE ABOVE  
 MATERIAL TYPE: CRS  
 MATERIAL GAUGE:  
 FINISH: SEE NOTES  
 DRAWN: JWV  
 CHECKED & APP.:

TITLE: 11U (24"H) x 24"W x 26"D BOX DOUBLE SWING WALL MOUNT - NEMA 4  
 GREAT LAKES DATA RACKS & CABINETS  
 P.O. BOX 551 EDINBORO, PA 16412  
 PHONE (814) 734-7303 FAX (814) 734-3907  
 E-MAIL info@greatcabinets.com  
 DWG NO: I-3765  
 REV: 2  
 SHEET: 1 OF 4

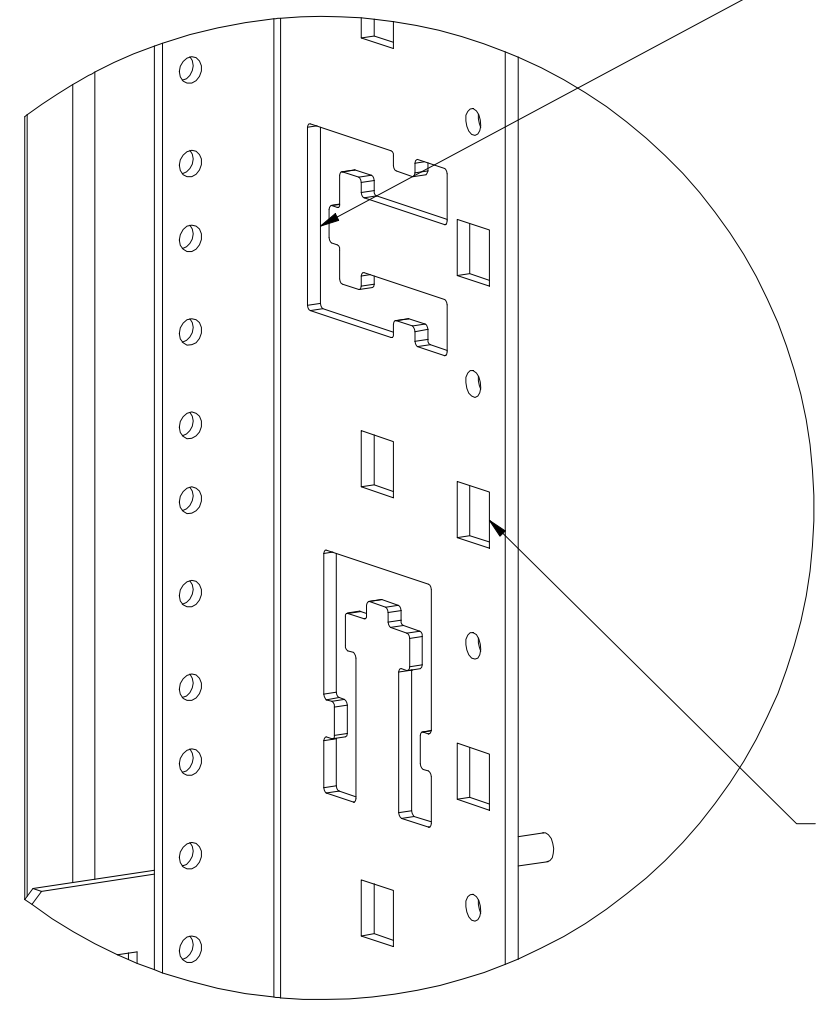
8 7 6 5 4 3 2 1



**DETAIL E**  
HINGE VIEW  
LOCKED POSITION



TURN CENTER SECTION  
TO 90 DEGREES AND SLIDE OUT

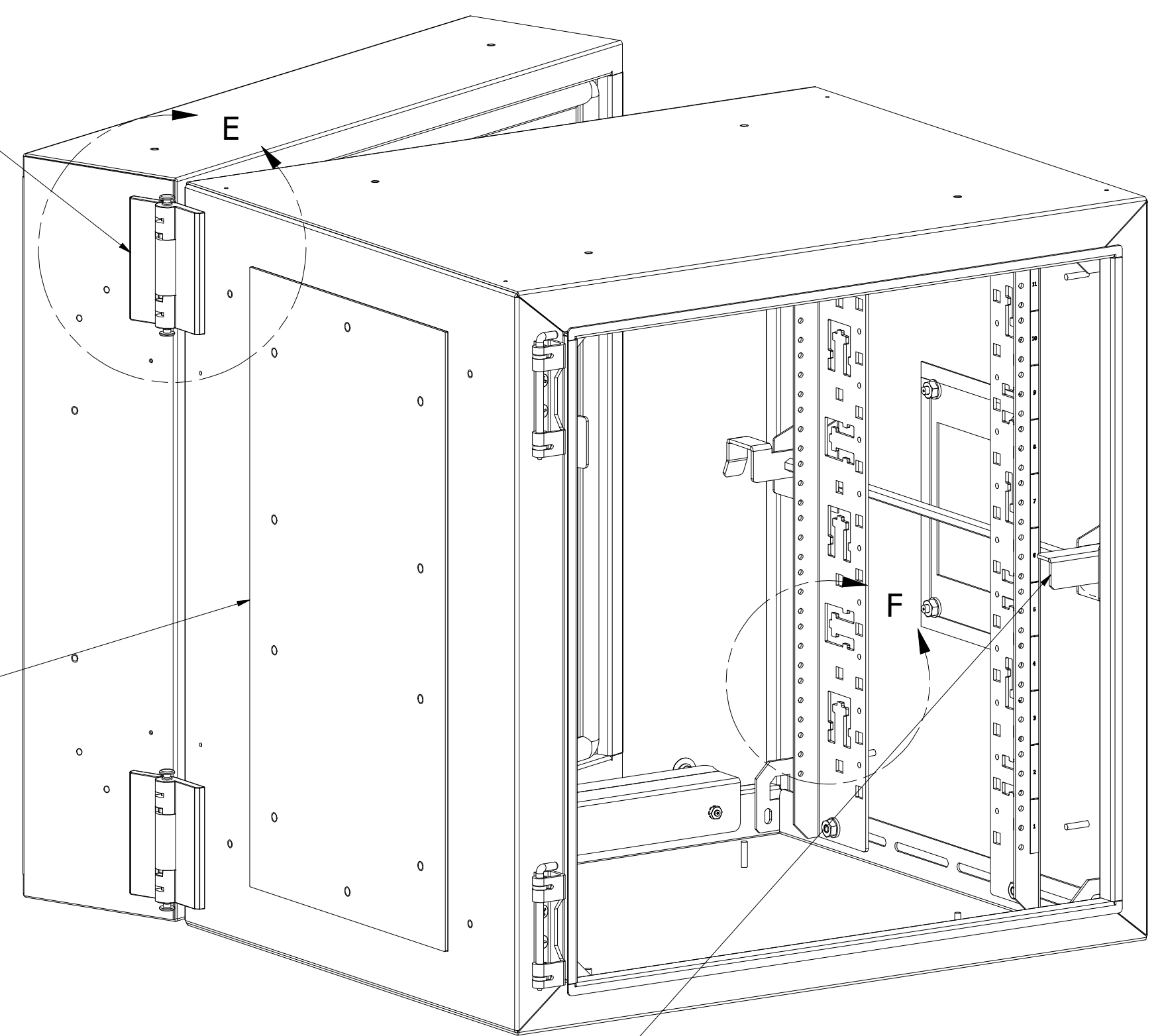


**DETAIL F**

CABLE MANAGEMENT  
TIE POINTS ON MTG.  
RAILS OUTSIDE OF EIA TO  
USE WITH OPTIONAL CINCH STRAPS,  
CM-01 OR CM-06

SQUARE HOLE PATTERN  
TO USE WITH OPTIONAL  
1/4" TURN "D" RINGS,  
CM-25

SOLID GLAND PLATE,  
SHIPS WITH WALL MOUNT  
WHEN CONFIGURED WITH  
AN AC UNIT OR NO AIRFLOW;  
IF USING AC, REMOVE PLATE  
FOR AC INSTALLATION  
(SEE SHEET 4)

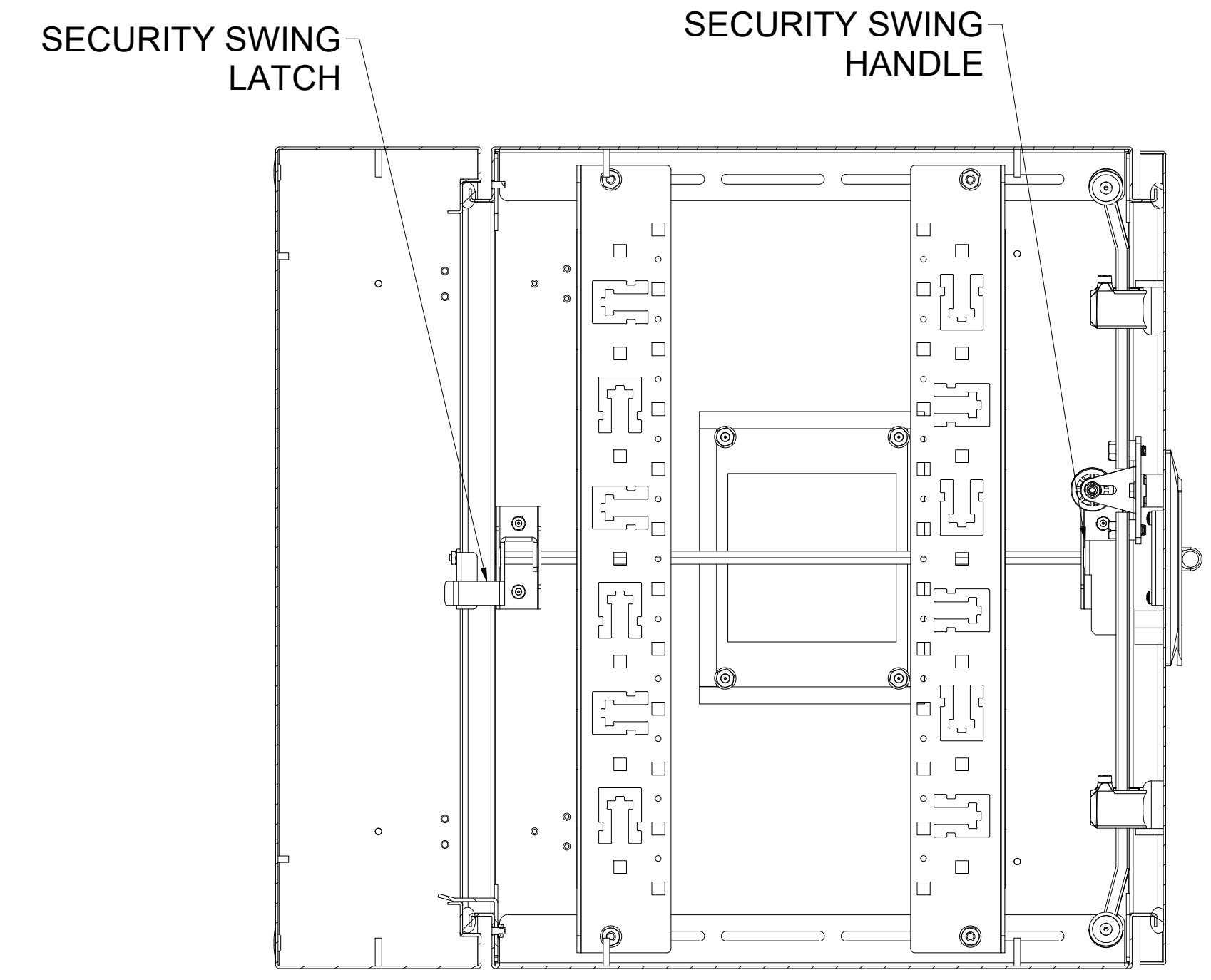


TO OPEN CENTER SECTION  
(AWAY FROM REAR),  
ROTATE HANDLE UP 90°  
TO RELEASE SECURITY  
SWING LATCH

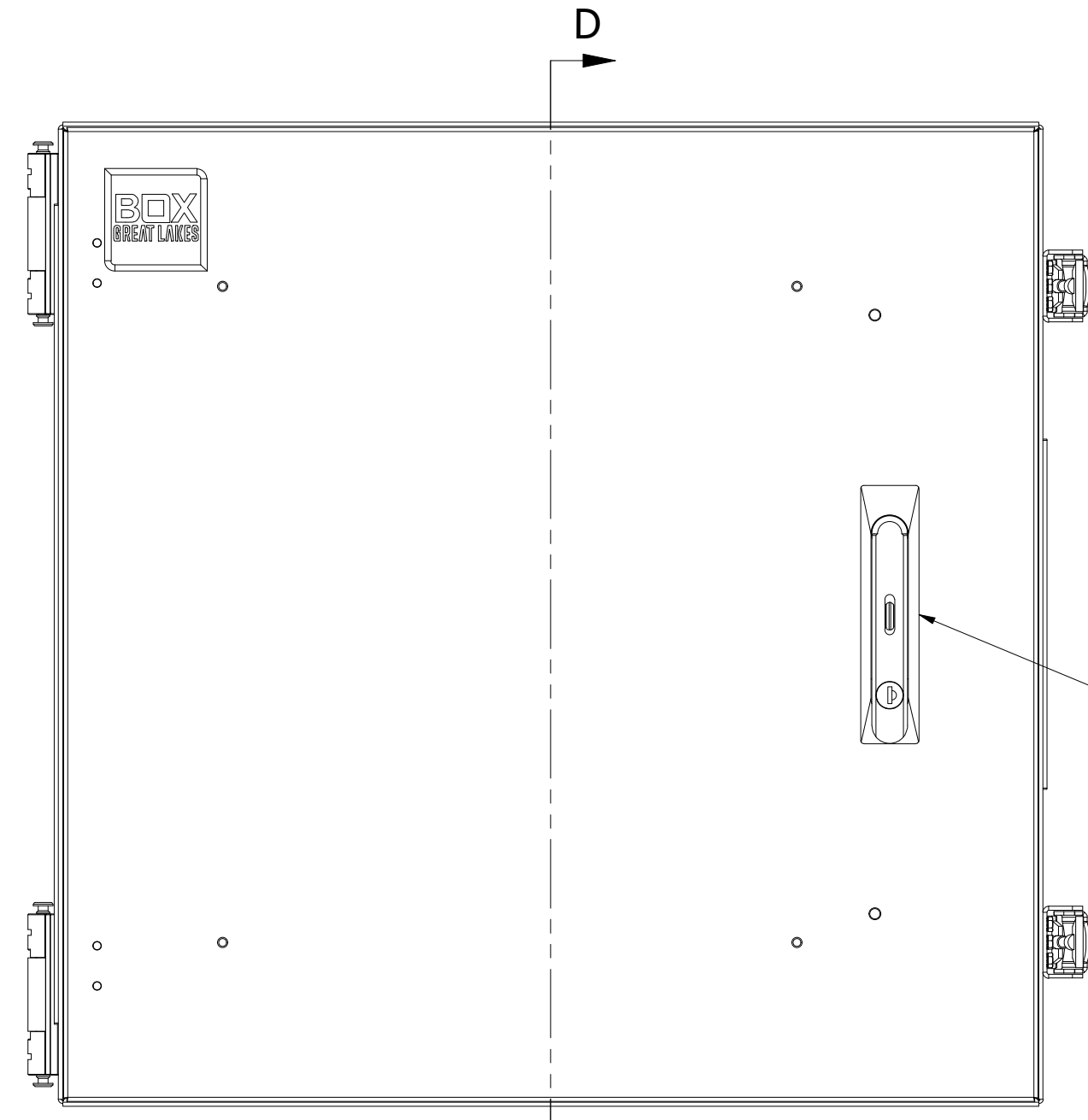
THEN UNHOOK EXTERNAL  
DRAW LATCHES

SWING LATCH NOT INTENDED  
FOR INITIAL COMPRESSION

SWING HANDLE WITH HASP, KEYED 1333  
(OPTIONAL HANDLES AVAILABLE)



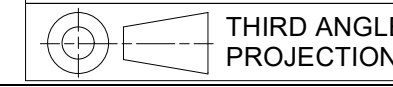
**SECTION D-D**  
INSIDE VIEW



**FRONT VIEW**

**PART NUMBER: BXWM04-11U26-GY-SH-XXXXX**

EST. WEIGHT :  
114.433 lbs



INTERPRET DRAWING PER ASME Y14.5M-1994  
DIMENSIONAL LIMITS APPLY  
AFTER APPLICATION OF FINISH  
DRAWING NOT TO SCALE  
TOLERANCE UNLESS OTHERWISE NOTED:  
ANGULAR +/- 1°  
.XXXX +/- .010  
.XXX +/- .015  
.XX +/- .030  
.X FOR REF. ONLY  
UNLESS OTHERWISE SPECIFIED  
ALL DIMENSIONS ARE IN INCHES

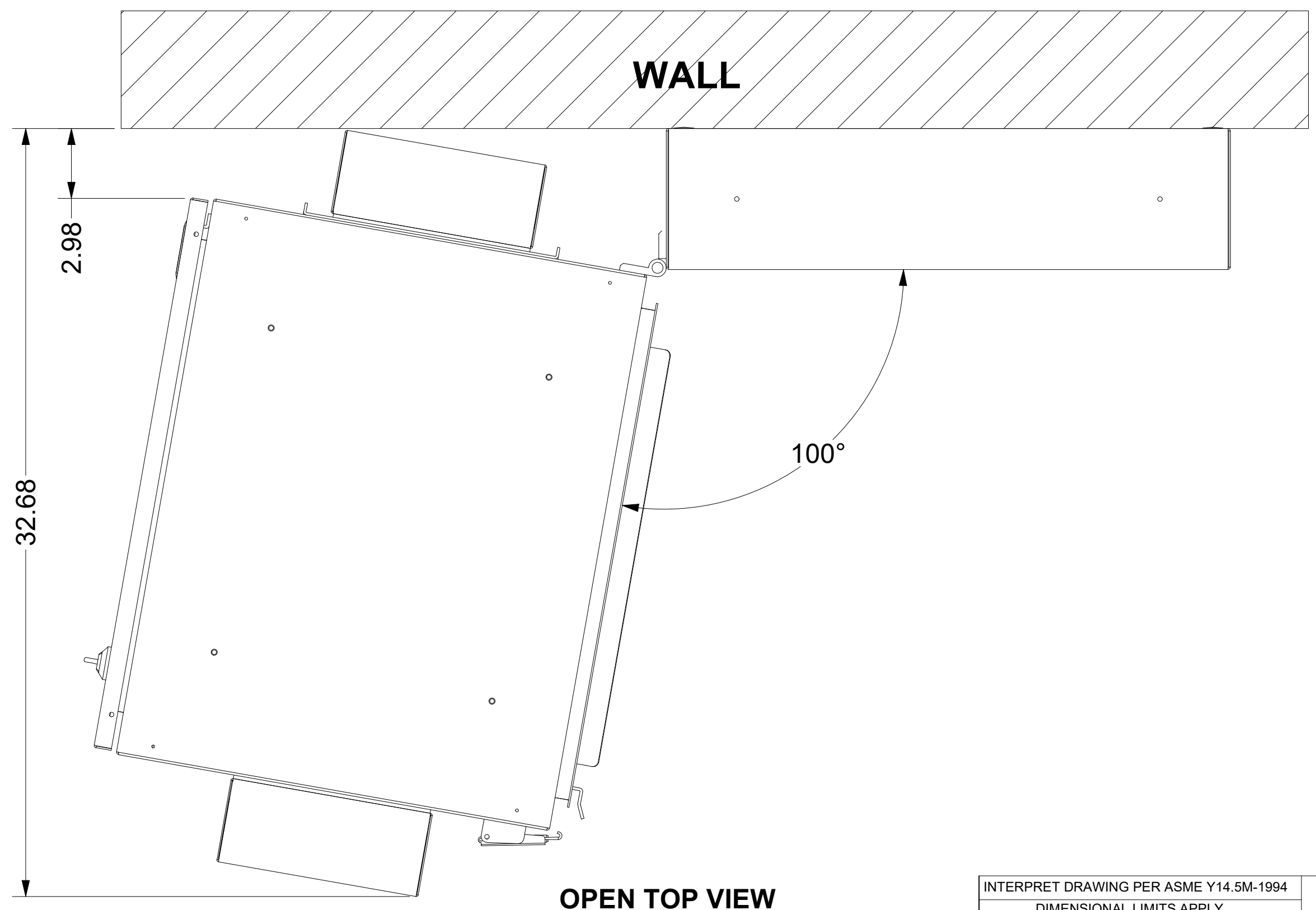
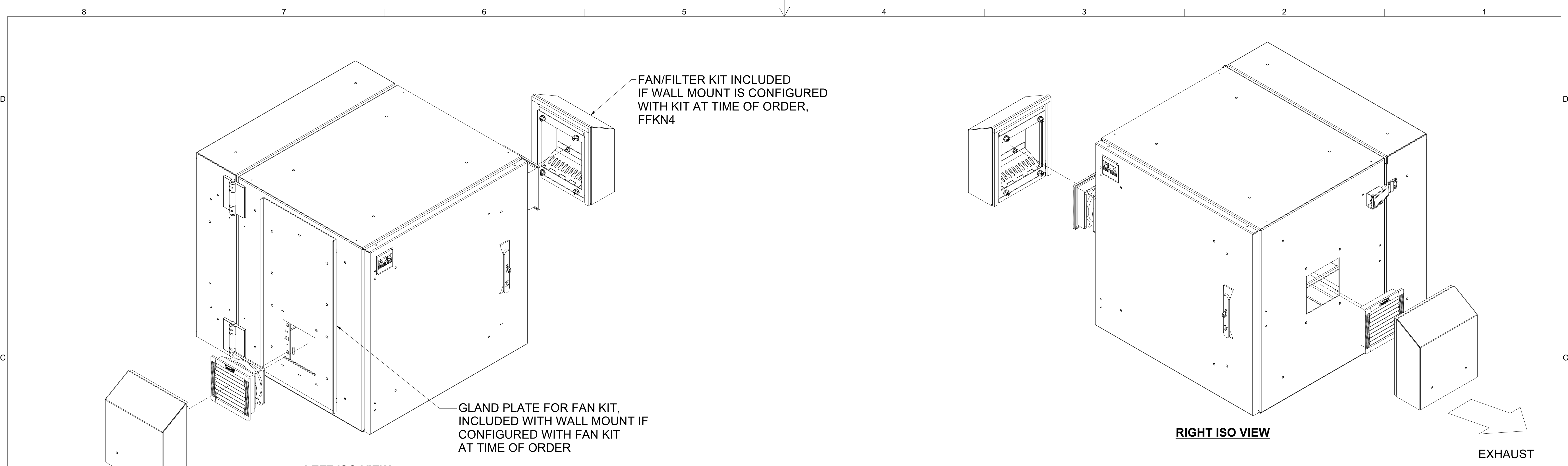
**NOTICE:**

Use of this document is subject to a confidentiality and nondisclosure agreement with Great Lakes Data Racks & Cabinets and may not be reproduced, disclosed or utilized in whole or in part without prior written authorization from Great Lakes.

PART NUMBER:  
**SEE ABOVE**  
MATERIAL TYPE:  
CRS  
MATERIAL GAUGE:  
FINISH:  
**SEE NOTES**  
DRAWN  
JWV  
CHECKED & APP.  
DATE  
1/16/2024  
DATE

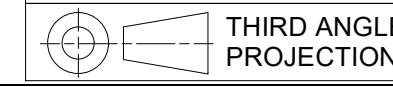
TITLE  
11U (24"H) x 24"W x 26"D BOX DOUBLE SWING WALL MOUNT - NEMA 4  
**GREAT LAKES DATA RACKS & CABINETS**  
P.O. BOX 551 EDINBORO, PA 16412  
PHONE (814) 734-7303 FAX (814) 734-3907  
E-MAIL info@greatcabinets.com  
DWG NO:  
**I-3765**  
REV  
**2**  
SHEET: 2 OF 4

8 7 6 5 4 3 2 1



AIR FLOW OPTIONS	
PART NO.	DESCRIPTION
00000	NO AIRFLOW
FFKN4	Fan/Filter Kit: NEMA 4; 28 CFM; 115VAC fan with 6-ft 5-15P Power cord; includes exhaust filter and two rain shrouds RAL 7035 Gray
AC010	AC Unit: 1000 BTU/h; 115V; 50/60 Hz; 300 Watts; R134a Refrigerant; 150W Heater included; SNMP Level 3 interface; IP 65/NEMA 4; 6-ft w. NEMA 5-15P Power cord; RAL 7035 Gray; 20"H x 10"W x 9.9"D; 31 lbs.; (Model 1830801)
AC020	AC Unit: 2000 BTU/h; 115V; 50/60 Hz; 600 Watts; R134a Refrigerant; 500W Heater included; SNMP Level 3 interface; IP 65/NEMA 4; 6-ft w. NEMA 5-15P Power cord; RAL 7035 Gray; 20"H x 10"W x 9.9"D; 40.7 lbs.; (Model 1830803)

EST. WEIGHT :  
114.433 lbs



THIRD ANGLE PROJECTION

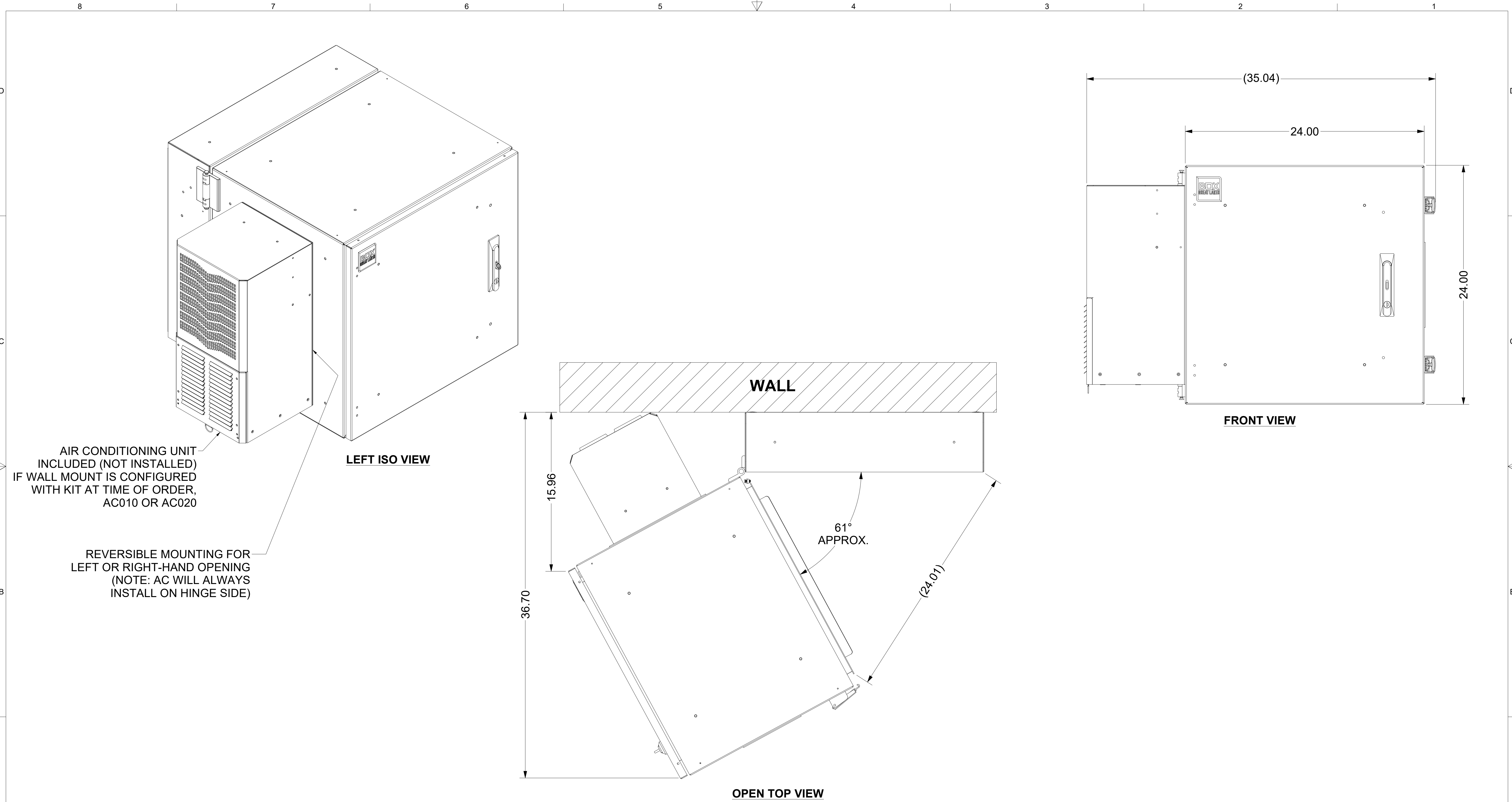
INTERPRET DRAWING PER ASME Y14.5M-1994  
DIMENSIONAL LIMITS APPLY AFTER APPLICATION OF FINISH  
DRAWING NOT TO SCALE  
TOLERANCE UNLESS OTHERWISE NOTED:  
ANGULAR +/- .1°  
.XXXX +/- .010  
.XXX +/- .015  
.XX +/- .030  
.X FOR REF. ONLY  
UNLESS OTHERWISE SPECIFIED ALL DIMENSIONS ARE IN INCHES

**NOTICE:**  
Use of this document is subject to a confidentiality and nondisclosure agreement with Great Lakes Data Racks & Cabinets and may not be reproduced, disclosed or utilized in whole or in part without prior written authorization from Great Lakes.

PART NUMBER:  
**SEE ABOVE**  
MATERIAL TYPE:  
CRS  
MATERIAL GAUGE:  
FINISH:  
SEE NOTES  
DRAWN  
JWV  
CHECKED & APP.  
DATE  
1/17/2024

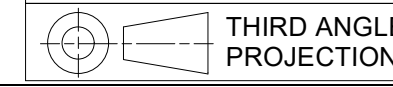
TITLE  
11U (24"H) x 24"W x 26"D BOX DOUBLE SWING WALL MOUNT - NEMA 4  
GREAT LAKES DATA RACKS & CABINETS  
P.O. BOX 551 EDINBORO, PA 16412  
PHONE (814) 734-7303 FAX (814) 734-3907  
E-MAIL info@greatcabinets.com  
DWG NO:  
**I-3765**  
REV  
**2**  
SHEET: 3 OF 4

PART NUMBER: BXWM04-11U26-GY-SH-XXXXX



AIR FLOW OPTIONS	
PART NO.	DESCRIPTION
00000	NO AIRFLOW
FFKN4	Fan/Filter Kit: NEMA 4; 28 CFM; 115VAC fan with 6-ft 5-15P Power cord; includes exhaust filter and two rain shrouds RAL 7035 Gray
AC010	AC Unit: 1000 BTU/h; 115V; 50/60 Hz; 300 Watts; R134a Refrigerant; 150W Heater included; SNMP Level 3 interface; IP 65/NEMA 4; 6-ft w. NEMA 5-15P Power cord; RAL 7035 Gray; 20"H x 10"W x 9.9"D; 31 lbs.; (Model 1830801)
AC020	AC Unit: 2000 BTU/h; 115V; 50/60 Hz; 600 Watts; R134a Refrigerant; 500W Heater included; SNMP Level 3 interface; IP 65/NEMA 4; 6-ft w. NEMA 5-15P Power cord; RAL 7035 Gray; 20"H x 10"W x 9.9"D; 40.7 lbs.; (Model 1830803)

EST. WEIGHT :  
114.433 lbs



INTERPRET DRAWING PER ASME Y14.5M-1994  
DIMENSIONAL LIMITS APPLY AFTER APPLICATION OF FINISH  
DRAWING NOT TO SCALE  
TOLERANCE UNLESS OTHERWISE NOTED:  
ANGULAR +/- .1°  
.XXXX +/- .010  
.XXX +/- .015  
.XX +/- .030  
.X FOR REF. ONLY  
UNLESS OTHERWISE SPECIFIED ALL DIMENSIONS ARE IN INCHES

**NOTICE:**  
Use of this document is subject to a confidentiality and nondisclosure agreement with Great Lakes Data Racks & Cabinets and may not be reproduced, disclosed or utilized in whole or in part without prior written authorization from Great Lakes.

PART NUMBER: BXWM04-11U26-GY-SH-XXXXX  
SEE ABOVE  
MATERIAL TYPE: CRS  
MATERIAL GAUGE:  
FINISH: SEE NOTES  
DRAWN: JWV  
CHECKED & APP.:

TITLE: 11U (24"H) x 24"W x 26"D BOX DOUBLE SWING WALL MOUNT - NEMA 4  
GREAT LAKES DATA RACKS & CABINETS  
P.O. BOX 551 EDINBORO, PA 16412  
PHONE (814) 734-7303 FAX (814) 734-3907  
E-MAIL info@greatcabinets.com  
DWG NO: I-3765  
REV: 2  
SHEET: 4 OF 4