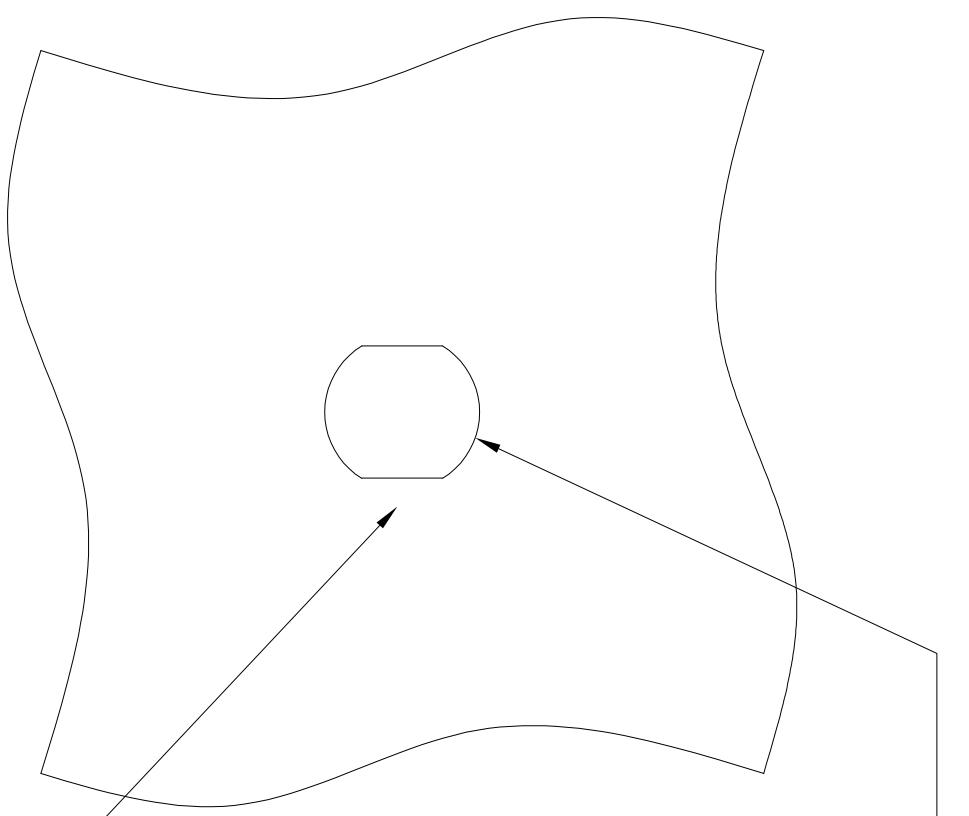
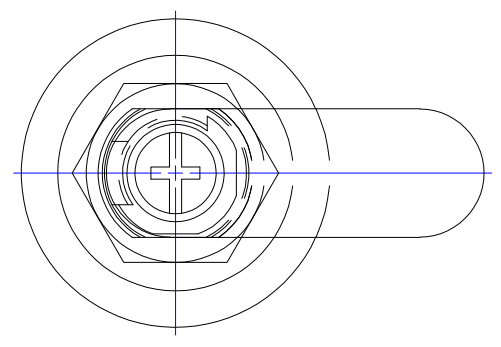
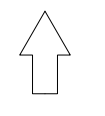
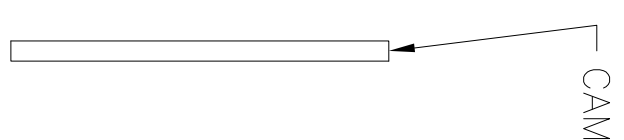
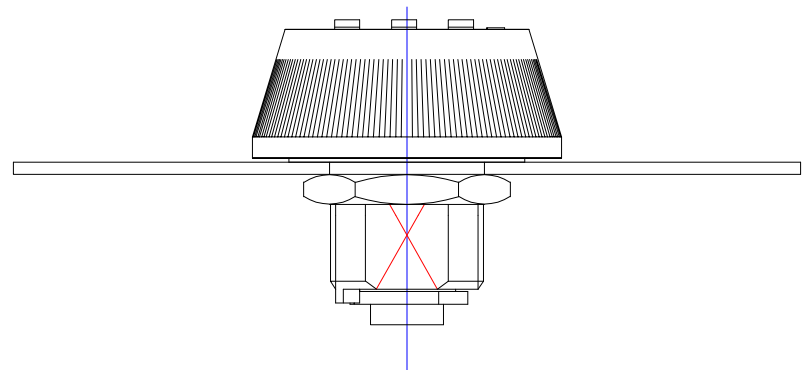
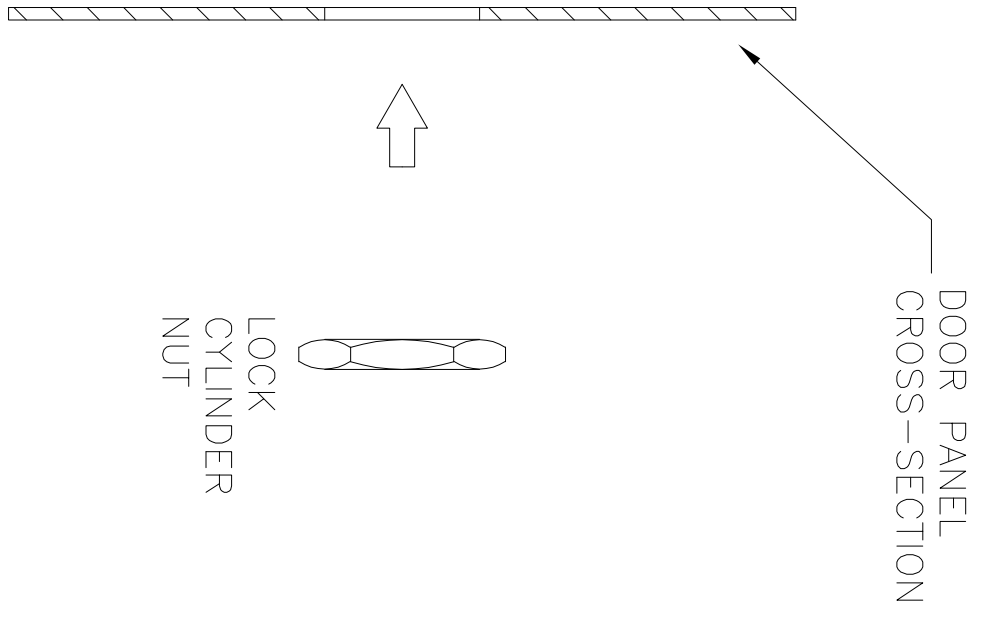
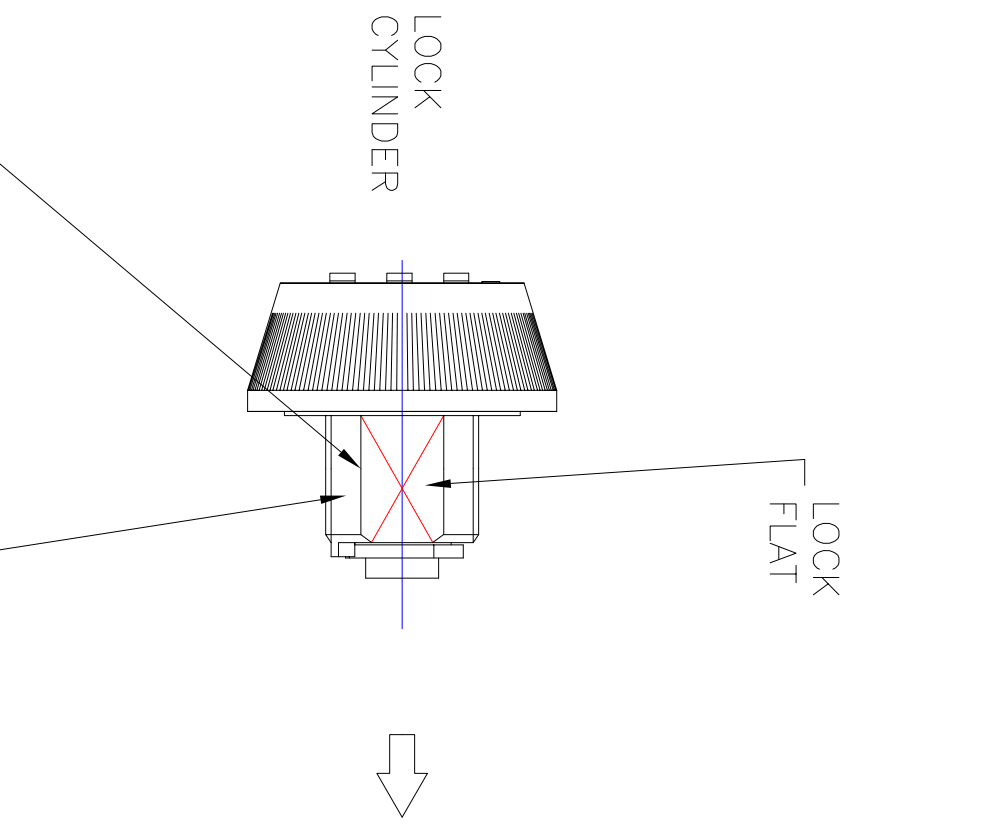


ORIENT LOCK CYLINDER TO ENSURE THAT THE CAM OPERATES AS DESIRED



ALIGN FLAT ON LOCK w/ FLAT ON CUTOUT



BELDEN
 THIS DRAWING AND ALL INFORMATION CONTAINED HEREIN IS THE PROPERTY OF BELDEN. ANY USE, COPY OR REPRODUCTION OF THIS MATERIAL WITHOUT WRITTEN PERMISSION OF BELDEN IS PROHIBITED.

BSP-LOCK-C1

INSTALLATION INSTRUCTIONS

DRAWN BY: RCG
 DRAWN DATE: 8/22/17

UNITS: INCH SH 1 of 1 C
 SCALE: 1:1 DATE: 8/22/17

4

3

2

1

4

3

2

1