

# KS210 Series Server Cabinet Lock

*OSDP Access Control Swing  
Handle Server Cabinet Locks*



Designed to integrate seamlessly with existing access control systems using OSDP to protect critical assets.

Designed for use with standard 150 x 25 mm cutouts, the KS210 Server Cabinet Locks come standard with lock monitoring and utilizes an SFIC (Small Format Interchangeable Core) mechanical key override. An additional optional extended DPS monitoring sensor can be connected to ensure that the cabinet is closed, locked and secure.

The KS210 utilizes Open Supervised Device Protocol (OSDP) to achieve end to end encryption for high security applications.

The KS210 features HID multiCLASS SE® contactless card technology with NFC and BLE.

## Features

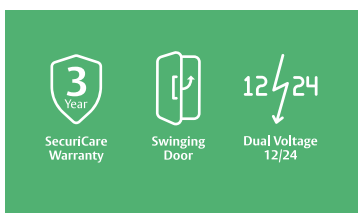
- Hard wired RS-485 OSDP (v2.2) communication
- 8-wire (Std) or 4-wire operation (OEM dependent)
- OEM dependent multi-drop functionality available with HID Mercury MP, Genetec and Software House C-CURE
- 2 standard configurations: (S) Single unlock or (D) Dual (auxiliary lock output) unlock
- Integrated HID BLE & NFC mobile access enabled multiCLASS SE card reader
- LEDs indicate valid/invalid entries; Red Amber or Green Amber
- Integrated Tamper, Cam Rotation & Locked State Monitoring with (Optional) External Door Position Status
- Cam Activated
- Non-handed
- Mechanical 6 or 7-pin SFIC Key Override (Includes compatibility with MEDECO XT Intelligent Keys)
- Black finish
- SecuriCare three-year, no-fault, no questions asked warranty
- Cam

## Accessories

- **CBL12-QC12** Lock side interface cable 12 Foot, 12 Conductor
- **CBL6-QC12** Lock Side Interface Cable: 6 Foot, 12 Conductor
- **CBL6-QC4** Lock side interface cable: 6 Foot, 4 Conductor
- **CBL12-QC4** System Side Interface Cable: 12 Foot, 12 Conductor
- **SFIC-BC** KS Series SFIC blank, black plastic core
- **SFIC-K1** KS Series K1 Keyway, Keyed Alike
- **SFIC-K2** KS Series K2 Keyway Keyed Alike
- **KS-EM** Electromechanical Server Cabinet Lock (Compatible with KS210-D models)
- **HSA-OSDP-DB** KS210 OSDP Distribution Box
- **KS-DPS** KS Series Surface Mounted Door Position Switch
- **KS-CAM38** KS Series 38mm-1 Locking Cam
- **KS-CAM45** KS Series 45mm-5 Locking Cam

## Certifications

- CE RED Certified
- FCC Part 15 Compliant
- IC Compliant
- RoHS Compliant



## KS210 Series Server Cabinet Lock

### Specifications

#### Electrical

- Dual voltage 12/24 VDC
- 130 mA at 12 or 24 VDC (peak)

#### Holding Force

- Static strength 350 lbs

#### Environmental

- Operating Temperature: 32° to 122°F [0° to 50°C]
- Indoor Use Only

#### Device Configuration

- HID OMNIKEY Reader Manager

### Card Technology

- Supports 13.56 MHz & 125 kHz credentials

#### High Frequency (13.56 MHz)

- » HID iCLASS®
- » HID iCLASS SE® (SIO®-enabled)
- » HID iCLASS® Seos®
- » ISO 14443b UID
- » MIFARE Classic™
- » MIFARE DESfire™ EV1
- » MIFARE DESfire™ SE
- » FeliCa™ (IDm)\*
- » 40-bit PIV-I
- » 64-bit PIV-I
- » 75-bit PIV-I
- » 128-bit PIV-I
- » 200-bit PIV-I

#### Low Frequency (125 kHz)

- » HID® Prox
- » EM4102
- » AWID Prox

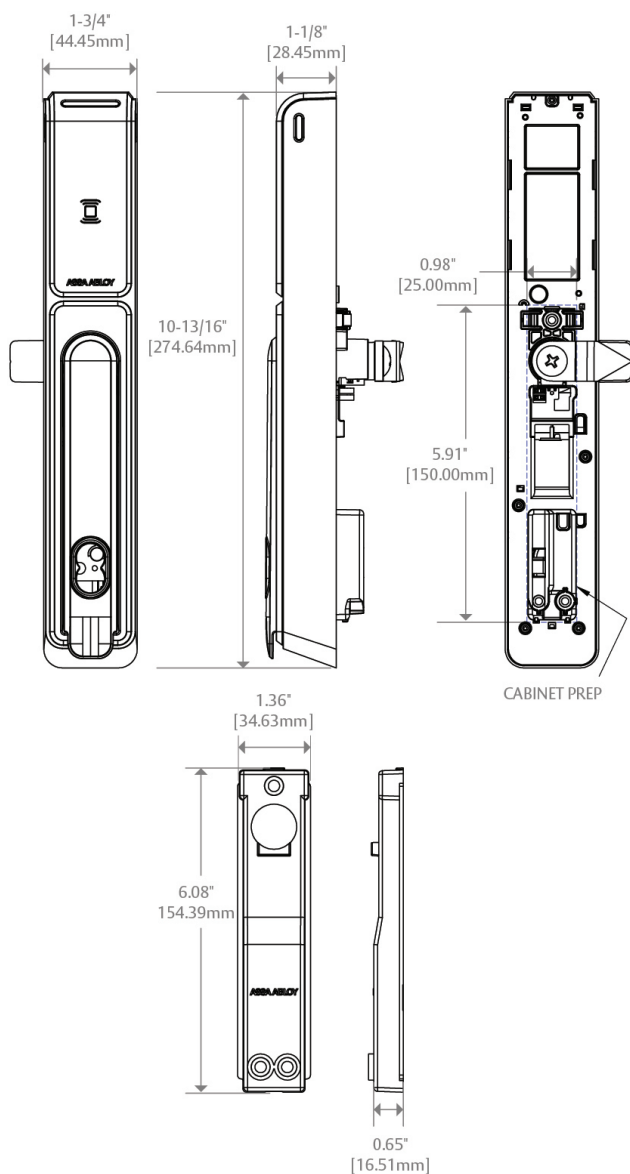
#### Mobile Access

- » HID BLE\* & NFC Mobile Access Enabled

#### Device Configuration

- » HID® Prox
- » EM4102
- » AWID Prox

### Dimensions



### How to Order

SERIES	MODEL	CARD TECHNOLOGY	COLOR	KEYING OPTIONS
KS210	-D	-IPS	-B	K1
KS210	S Single unlock	IPS HID multiCLASS SE	B Black	B No SFIC or Blank Plastic Core (Standard)
	D Dual (auxillary lock output) unlock	IPV040 RFID Only, PIV-I/40 Bit FASC-N		
		IPV064 RFID Only, PIV-I/64 Bit FASC-N		
		IPV075 RFID Only, PIV-I/75 Bit FASC-N		BC SFIC blank (Black plastic core)
		IPV128 RFID Only, PIV-I/128 Bit FASC-N		K1
		IPV200 RFID Only, PIV-I/200 Bit FASC-N		MEDECO X4 SFIC Cylinder & 2 Keys

Updated 6/11/25 Patent pending and/or patent [www.assaabloydss.com/patents](http://www.assaabloydss.com/patents)

Copyright © 2025, Hanchett Entry Systems, Inc., an ASSA ABLOY Group company. All rights reserved. Reproduction in whole or in part without the express written permission of Hanchett Entry Systems, Inc. is prohibited.