

KPROX

High Security Card Reader (Mobile Credential Ready)

The KPROX from CDVI is a high security dual technology card reader operating at 125 kHz and 13.56 MHz.

The KRYPTO reader has been enhanced by our engineers to deliver superior performance, including improved resistance to extreme temperatures, extended read range, faster action, a more robust enclosure, and much more!


The KPROX reader is compatible with all CDVI access control systems that offer the KRYPTO solution.


KPROX - Designed to Impress, Built to Last!



 Certification

 Certification

 Certification

 -40°F to 185°F
-40°C to 85°C

 IP65

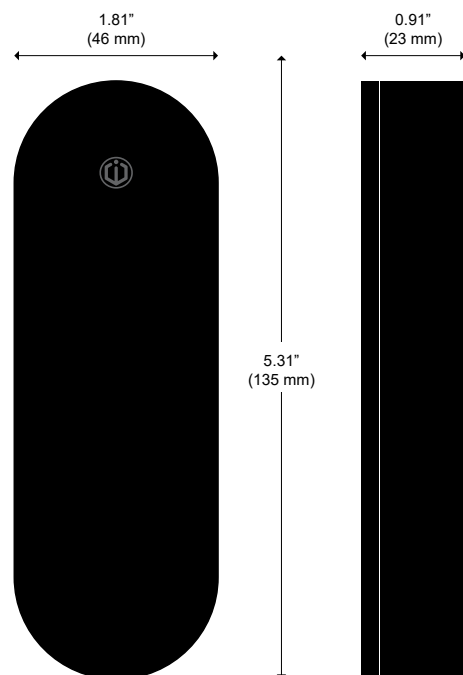
 DEEE

 RoHS

KRYPTO
HIGH SECURITY SOLUTION

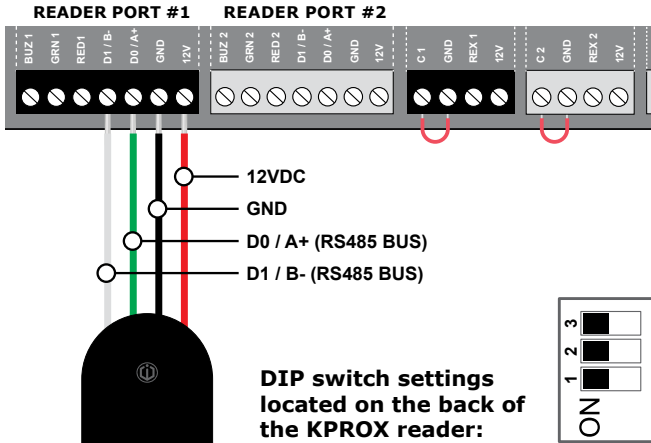


- Compatible with all CDVI access control systems that offer the KRYPTO solution
- Compatible with KRYPTO Mobile-PASS
- FULLY secure RS-485 connection (4 wire)
- Reads 13.56 MHz (MIFARE® Classic and DESFire EV2), 125 KHz
- OSDP-2 compatible
- Technology: Bluetooth® & NFC
- Up to 2.4" (6 cm) read range
- Power requirements: 12V DC
- Current consumption (standby) : 42 mA



WIRING DIAGRAM

A22K CONTROLLER



DIP switch settings located on the back of the KPROX reader:

- 1: ON= Entry reader (**default**)
OFF= Exit reader.
You must restart the KPROX after each change.
- 2: ON= KRYPTO reader (**default**)
OFF= OSDP reader
No need to reboot the reader after every change.
- 3: CDVI internal use ONLY.

It is recommended to use twisted pair wiring as shown below between the reader and the controller.

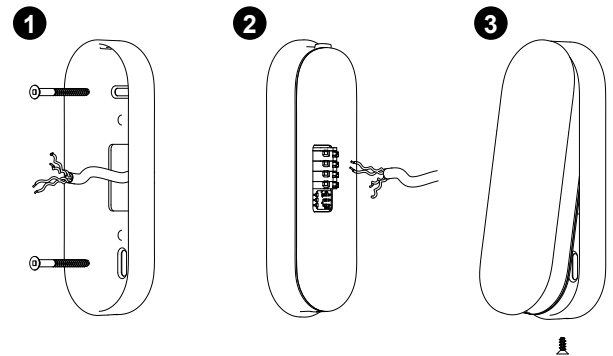


Furthest reader can be installed up to 4,000 ft (1220 m) from the controller (AWG 22 cable).

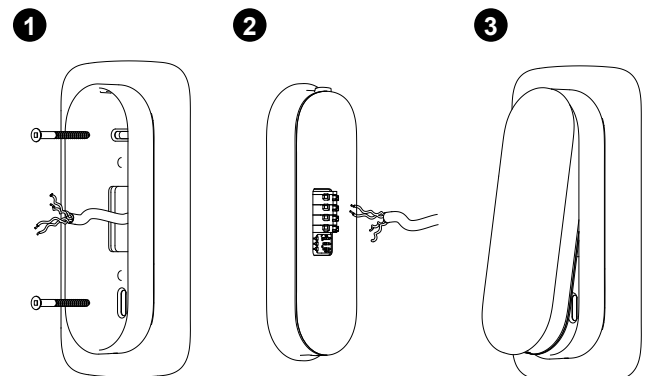


When there are two readers close to each other, it is recommended to offset them by at least 8 inches (20 cm) to avoid reading signal interference.

MOUNTING



Assembly with the KMount plate:



LED STATUS INDICATORS

Description	LED State	Buzzer
Standby (door secure)	Steady blue	-
Access granted	Turn green for 5 sec.	Chirp beep
Access denied	5 rapid red blinks	Steady beep for 3 sec.
Reader compromised (lost its encryption key)	Flashing blue	-
Door unlock schedule	Blinks green every 3 sec.	-
Door forced alarm	Flashing red	Steady beep
Door open too long pre-alarm	Flashing red	Beep every 2 sec.
Door open too long alarm	Flashing red rapidly	Fast beep