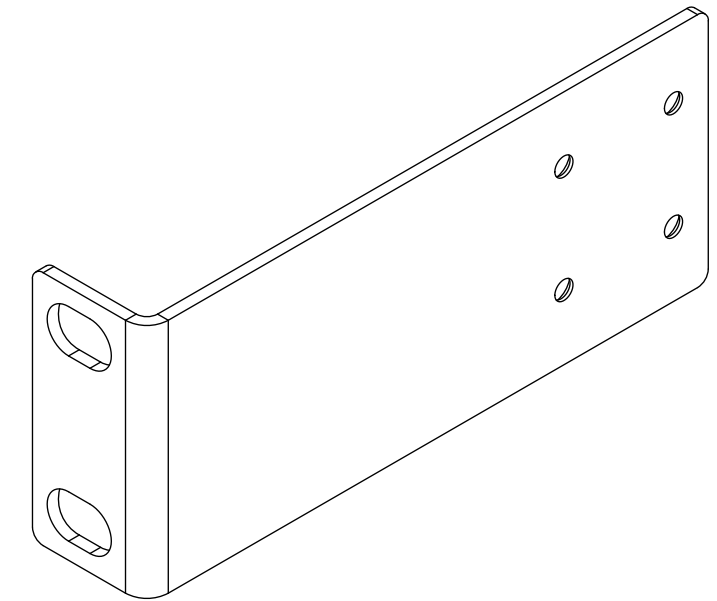
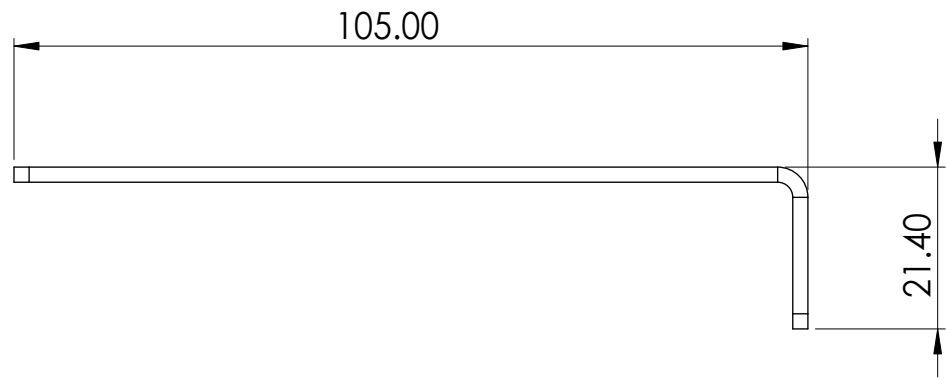
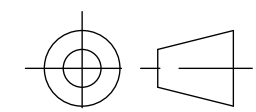
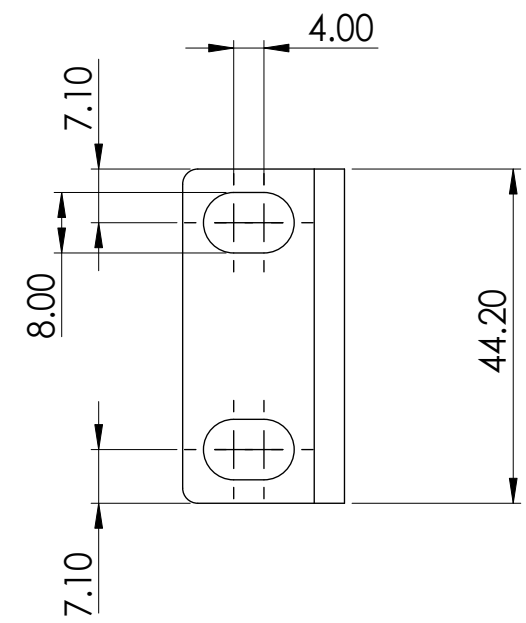
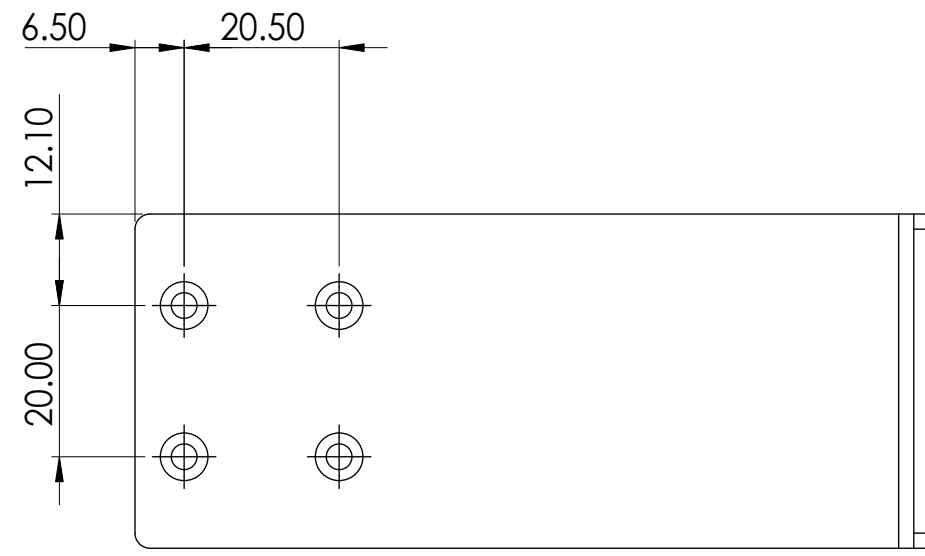


| REVISION | DRN BY | DRN DATE | CHK BY | CHK DATE | CHANGE DESCRIPTION |
|----------|--------|----------|--------|----------|--------------------|
| 01 | AL | 10/11/21 | - | - | Initial drawing |
| - | - | - | - | - | - |
| - | - | - | - | - | - |



ISOMETRIC VIEW



DEBURR AND BREAK SHARP EDGES
DO NOT SCALE DRAWING

UNLESS OTHERWISE SPECIFIED:
DIMENSIONS ARE IN MILLIMETERS
TOLERANCES:
LINEAR: +/- 0.1
ANGULAR: +/- 0.5

| | |
|-------------------------------------------------------------------------------------------------------------------------|-------------------------|
| DWG NO. M39245 | |
| TITLE: AMG510 55mm Recessed Rack Bracket | |
| FINISH: Matt Black Powder Coat | REVISION 01 |
| MATERIAL: Mild Steel | A3 |
| <small>Document is property of AMG Systems Ltd and must not be shared, copied or printed without prior consent.</small> | SCALE: 1:1 SHEET 1 OF 2 |