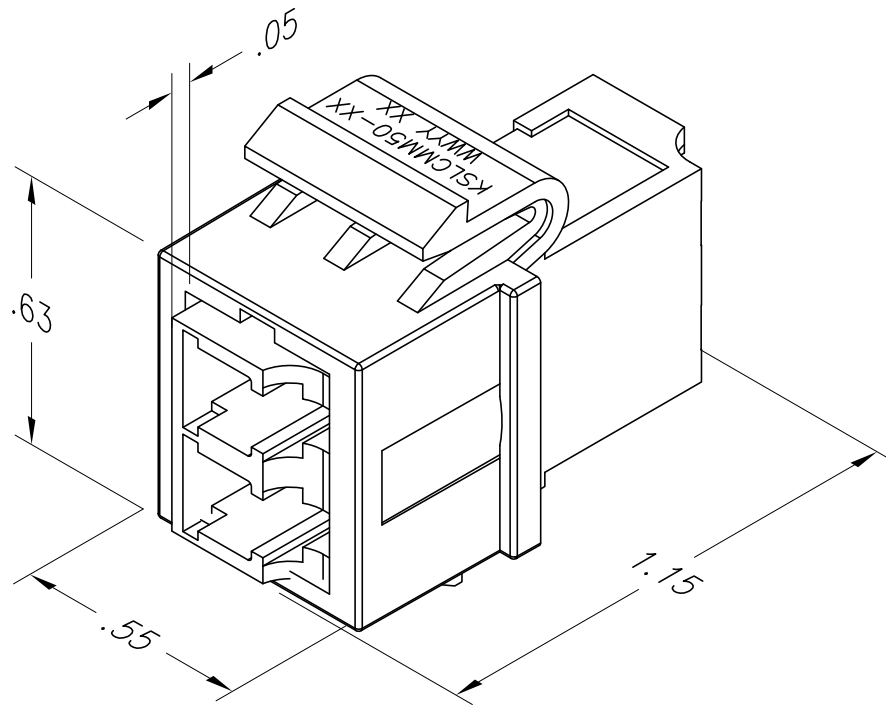


NOTES:

1. DUSTCAPS ARE PROVIDED INSTALLED.
2. THE ADAPTER IS AN AQUA, LC DUPLEX, WITH CERAMIC SLEEVES.
3. DIMENSIONS ARE IN INCHES.



PART NO.	COLOR
OR-KSLCMM50	FOG WHITE

\*\*\* NOTICE \*\*\*

THIS DOCUMENT CONTAINS CONFIDENTIAL AND/OR PROPRIETARY INFORMATION INTENDED FOR USE ONLY BY THE INDIVIDUAL(S) SPECIFIED HEREIN AND ONLY FOR THE PURPOSE(S) PROVIDED. NEITHER THIS DOCUMENT, NOR ANY INFORMATION CONTAINED HEREIN, MAY BE COPIED, DISTRIBUTED, DISCLOSED TO ANY THIRD PARTY OR USED IN ANY MANNER OTHER THAN FOR WHICH IT HAS BEEN PROVIDED, WITHOUT THE PRIOR WRITTEN CONSENT OF ORTRONICS, INC.



NEW LONDON, CT 06320  
(860) 445-3800

DWN.BY:	RYNASKI	DATE	7/8/11
CHK.BY:	R.GRANDIDGE	DATE	07/11/11
APP.BY:	W.DIETZ	DATE	07/11/11

TITLE			
TechChoice, KEYSTONE LC FIBER MODULE, MM, 50/125 LOMF			
SIZE	CAD FILE	PART NUMBER	REV
A	KSLCMM50XXC	KSLCMM50-XX	00
SCALE	REL DATE	SHEET	
NONE	7/11/11	1 OF 1	