

AVC-NSB81M

8MP H.265 MOTORIZED LENS BULLET NETWORK CAMERA



InfiniteStar™
Grey Available:
AVC-NSB81M-G



8MP H.265 MOTORIZED LENS BULLET NETWORK CAMERA

8MP H.265 MOTORIZED LENS BULLET NETWORK CAMERA

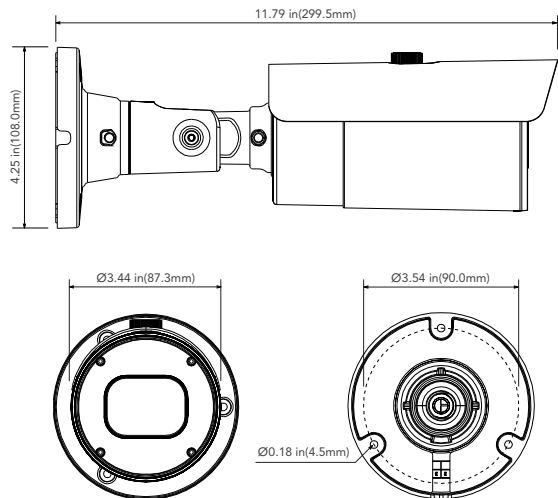
The AVYCON AVC-NSB81M camera is a 8MP H.265 Bullet Network Camera. This 5MP IP camera supports True Day and Night mode, PoE, and up to 147ft. of Smart IR Illumination, and also incorporates an InfiniteStar sensor which allows viewing of video in the lowest of light environments, even in color. This camera includes a Motorized 2.7mm - 13.5mm Lens with Auto-focus capabilities that can be controlled through a NVR. The AVC-NSB81M features Alarm Input/Output connections, Audio Input/Output, a microSD slot (128GB max capacity), and is ONVIF compliant. Also standard with this series is Digital NR, ROI, HLC, True WDR, and BLC capabilities along with IP66 outdoor rating. Optional accessories for this camera include a Junction Box Mount. Includes a MicroSD memory card slot for standalone recording applications.

FUNCTIONS

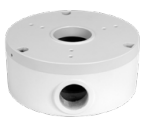
- 8MP (3840 x 2160) @ 30fps
- Max. Resolution: 3840 x 2160
- Supports Smart H.265/H.264 Encoding
- True Day & Night ICR
- Up to 147 ft. IR Illumination
- Motorized 2.7mm - 13.5mm Lens
- 3D DNR, True WDR, HLC, BLC and ROI Encoding
- Supports Triple Streams
- Supports Audio Input and Output
- Supports Alarm Output and Input
- Supports Remote Access with Windows, macOS, iOS and Android
- IP66 Ingress Protection
- Operating Temperature: -22°F - 131°F
- DC12V / PoE (802.3af)
- Built-in MicroSD Card Slot
- Built-in Reset Button
- NDAA Compliant

DIMENSIONS

Unit : inch (mm)



OPTIONAL ACCESSORIES



AVM-JB-BE-S1
JUNCTION BOX
(FIT VERSION)



AVM-JB-BE-L1
JUNCTION BOX
(WIDE VERSION)



AVM-CRM-A1
CORNER MOUNT



AVM-POM-A1
POLE MOUNT



AVYCON®

AVC-NSB81M

8MP H.265 MOTORIZED LENS BULLET NETWORK CAMERA

SPECIFICATIONS

CAMERA	
Image Sensor	1/2.8" Progressive Scan CMOS
Resolution	8MP
Image Size	3840 x 2160
Min. Illumination	Color: 0.1lux @ F1.2 (AGC ON) BW: 0lux w IR ON
Shutter Speed	1/20,000s ~ 1/5s
Slow Shutter	Supported
IR Distance	Up to 147ft. (45m)
Lens	Motorized 2.7 - 13.5 mm
Field of View	Horizontal: 34 ~ 116°, Vertical: 19 ~ 59°, Diagonal: 39 ~ 142°
WDR	120dB
VIDEO STREAM	
Max. Image Resolution	3840 x 2160 @ 30fps
Supported Resolutions	3840 x 2160, 3072 x 1728, 2592 x 1944, 2592 x 1520, 2304 x 1296, 1920 x 1080, 1280 x 720, 640 x 480, 320 x 240
Main Stream	3840 x 2160, 3072 x 1728, 2592 x 1944, 2592 x 1520, 2304 x 1296, 1920 x 1080, 1280 x 960, 1280 x 720
Sub Stream	720P(1280x720), VGA(640x480), QVGA(320x240)
Mobile Stream	VGA (640x480), QVGA (320x240)
Video Compression	H.265 / H.264
Video Bit Rate	8 Kbps ~ 16 Mbps (CBR / VBR Adjustable)
Max. Framerate	50Hz: 25fps@8MP/5MP/4MP/3MP/2MP/960P/720P/VGA/QVGA, 60Hz: 30fps@8MP/5MP/4MP/3MP/2MP/960P/720P/VGA/QVGA
NETWORK	
Ethernet	1 x RJ45 10M / 100M Ethernet Port
ONVIF	ONVIF(Profile S/G/T,20.06)
Protocol	HTTP, HTTPS, FTP, SMTP, UPnP, SNMP, DNS, DDNS, NTP, RTSP, RTP, TCP/IP, PPPoE, DHCP
Security	IP Address Filter; Complicated Password; Authenticated Username and Password
IMAGE	
Day & Night	IR cut filter with auto switch (Day/Night/Auto/Schedule)
True WDR	Yes
Digital NR	Yes (3D DNR)
Backlight Compensation (BLC)	Off/On (5 Zone)
Motion Detection	Off/On (8 Level)
Gain Control	Auto
White Balance	Auto/Manual
Privacy Mask	Off/On (4 Zone, Rectangle)
Flip / Mirror	Flip/Rotation
Sharpness	Yes
Image Setting	Yes
Language	Support for English and Korean
VIDEO ANALYTICS	
Supported Recorders	Diversity Series
On-Board Storage	Micro SD slot, up to 256GB
Alarm/Audio	1 input, 1 output/ 1 input (RCA), 1 output (RCA)
Hardware Reset	Yes
Smart Feature	PID,LCD,PD/VD,FD
Smart Events	Human Detection, Face Detection, Vehicle Detection
Alarm Link Events	Motion Detection, Sensor Alarm
GENERAL	
Angle Adjustment	Any Angle
Input Voltage	DC 12V / PoE (802.3af)
Power Consumption	≤6W
Ingress Protection	IP66
Weight	0.7lbs
Working Temperature	-22°~131° F (-30°~55° Celcius)
Dimensions	11.79" x 4.25" (299.5mm x 108.0mm)



AVYCON[®]

Copyright © AVYCON. All rights reserved. Specifications and pricing are subject to change without notice.

phone: 949-752-7606

email: info@avycon.com

social: @avycon_aivo

website: avycon.com