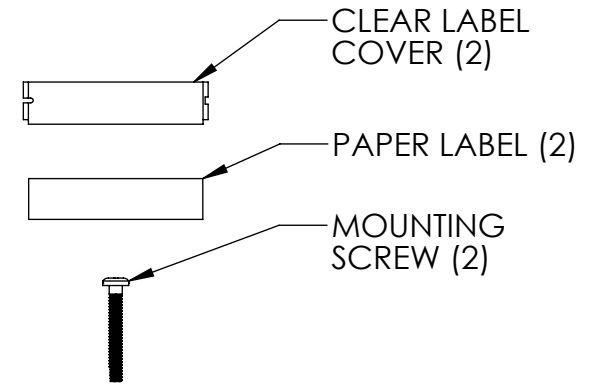
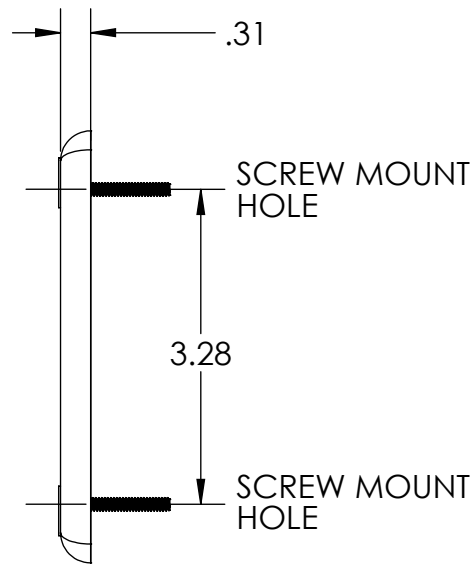
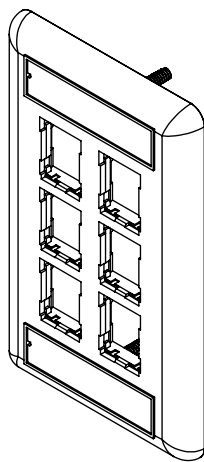


FACEPLATE (FP)



PART NUMBER	(-XX)	COLOR
403HDJ16	NONE	FOG WHITE
403HDJ16-00	-00	BLACK
403HDJ16-13	-13	IVORY
403HDJ16-78	-78	WM DK GRAY
403HDJ16-88	-88	WHITE
403HDJ16-99*	-99*	WM IVORY*

*ASTERISK DENOTES MOQ REQUIRED. CONTACT CUSTOMER SERVICE.



NOTE: ALL DIMENSIONS ARE IN INCHES.

*** NOTICE ***
 THIS DOCUMENT CONTAINS CONFIDENTIAL AND/OR PROPRIETARY INFORMATION INTENDED FOR USE ONLY BY THE INDIVIDUAL(S) PROVIDED. NEITHER THIS DOCUMENT, NOR ANY INFORMATION CONTAINED HEREIN, MAY BE COPIED, DISTRIBUTED, DISCLOSED TO ANY THIRD PARTY OR USED IN ANY MANNER OTHER THAN FOR WHICH IT HAS BEEN PROVIDED, WITHOUT THE PRIOR WRITTEN CONSENT OF LEGRAND, INC.



WWW.LEGRAND.US

TITLE

FP, HDJ, 1 GANG, 6 PORT,
 LABEL, COVER, SCREW KIT

	NAME	DATE	SIZE	CAD FILE	DWG NO	REV
DWN	RWS	8/8/2011	A	403HDJ16XXC	403HDJ16-XX	02
CHK	C.A. COLLELO	12/7/2011	SCALE 1:2		WEIGHT	SHEET 1 OF 1
APPR	W. DIETZ	12/7/2011				