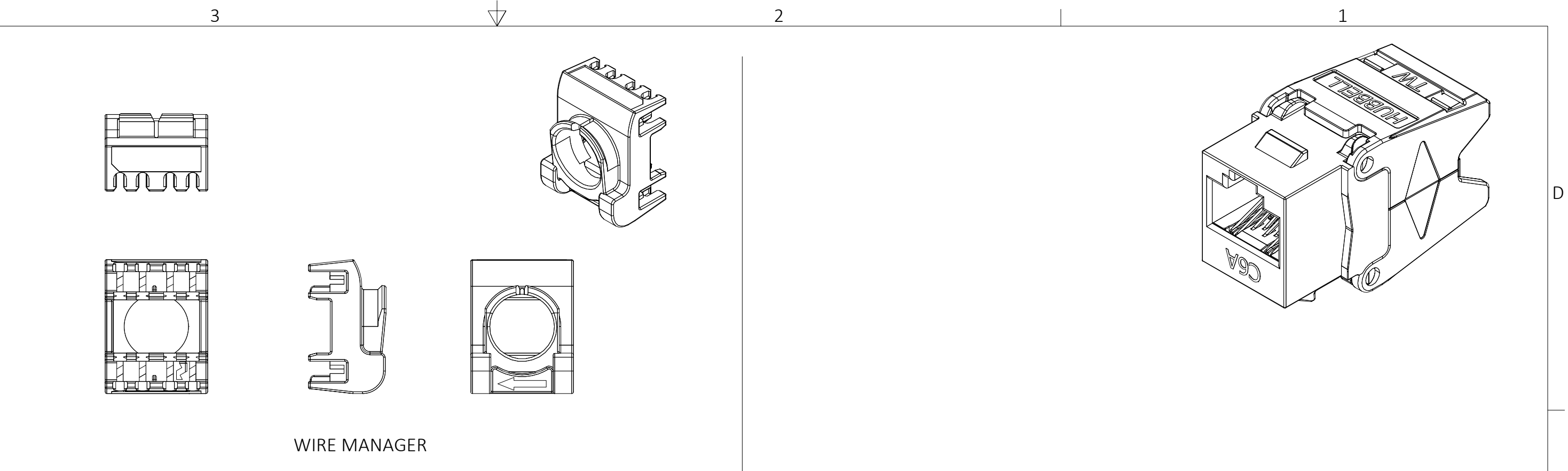
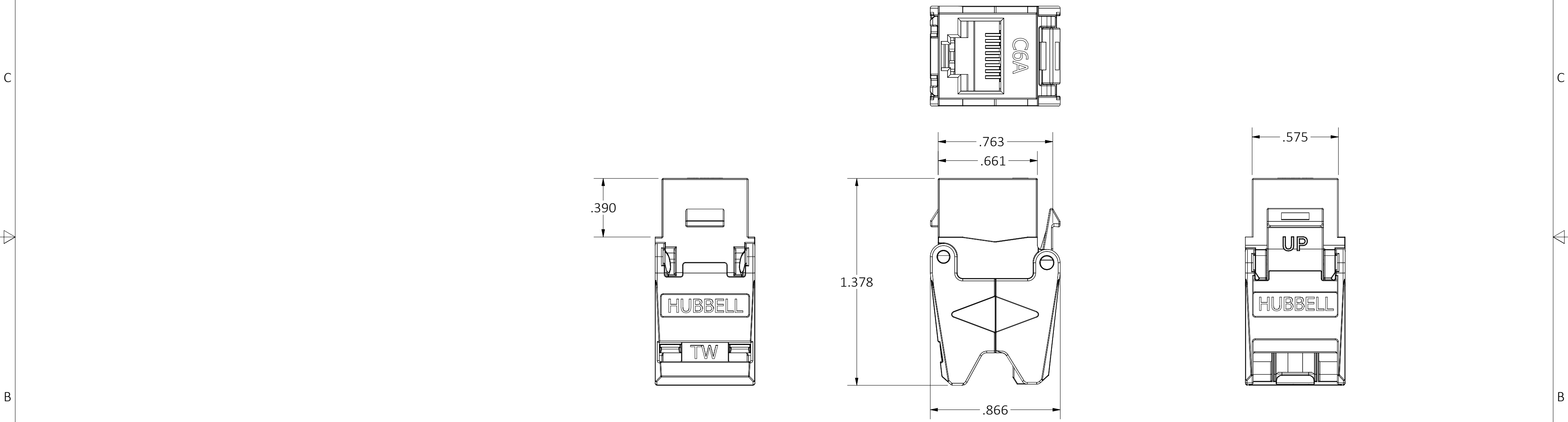


CATALOG	DESCRIPTION
NSJU6AB	JACK, NSJ,CAT6A,8POS,UNI,A/B,BL
NSJU6ABK	JACK, NSJ,CAT6A,8POS,UNI,A/B,BK
NSJU6AGN	JACK, NSJ,CAT6A,8POS,UNI,A/B,GN
NSJU6AGY	JACK, NSJ,CAT6A,8POS,UNI,A/B,GY
NSJU6AOR	JACK, NSJ,CAT6A,8POS,UNI,A/B,OR
NSJU6AI	JACK, NSJ,CAT6A,8POS,UNI,A/B,I
NSJU6ALA	JACK, NSJ,CAT6A,8POS,UNI,A/B,LA
NSJU6AR	JACK, NSJ,CAT6A,8POS,UNI,A/B,R
NSJU6AW	JACK, NSJ,CAT6A,8POS,UNI,A/B,W
NSJU6AY	JACK, NSJ,CAT6A,8POS,UNI,A/B,Y
NSJU6AB24	JACK, NSJ,CAT6A,8POS,UNI,A/B,BL,24PK
NSJU6ABK24	JACK, NSJ,CAT6A,8POS,UNI,A/B,BK,24PK
NSJU6AGN24	JACK, NSJ,CAT6A,8POS,UNI,A/B,GN,24PK
NSJU6AGY24	JACK, NSJ,CAT6A,8POS,UNI,A/B,GY,24PK
NSJU6AW24	JACK, NSJ,CAT6A,8POS,UNI,A/B,W,24PK



WIRE MANAGER



NOTES:

- COMPLIES WITH TIA 568.2-D AND ISO/IEC 60603-7-51 FOR CATEGORY 6A REQUIREMENTS. PLUG INSERTION/EXTRACTION 750 CYCLES MINIMUM. CONDUCTOR RANGE 22 AWG TO 24 AWG
- MATERIALS:
NOSE HOUSING: U/L 94 RATED THERMOPLASTIC
REAR HOUSINGS: U/L 94 RATED THERMOPLASTIC
CONTACTS: COPPER ALLOY, GOLD PLATED
- SPECIFICATIONS SUBJECT TO CHANGE WITHOUT NOTICE.

Created on INVENTOR	DIMENSIONING AND TOLERANCE PER ANSI Y14.5M-1982 UNLESS OTHERWISE SPECIFIED, DIMENSIONS ARE IN INCHES (MM). TOLERANCES.XX = ±.01 (.25) .XXX = ±.005 (.127) .XXXX = ±.0025 (.0635) ANGLE TOL ±1°		PROJECT REFERENCE: 026-22		<p>Hubbell Premise Wiring HUBBELL INCORPORATED (Delaware) 23 CLARA DRIVE, SUITE 103 MYSTIC, CT 06355</p>		
	IN ACCEPTING OUR DRAWINGS, BLUEPRINTS, OR SUPPORTING DOCUMENTATION FOR QUOTATION OR OTHER PURPOSES, YOU AGREE NOT TO DISCLOSE TO OTHERS THE IDEAS, INFORMATION, OR DESIGNS SHOWN HEREIN, AND THAT YOU WILL MAKE NO USE OF SAME WITHOUT PERMISSION		MATERIAL: SEE NOTES			TITLE: NSJU6A CATEGORY 6A JACK	
			DRAWN BY: D.O'CONNOR 4/14/22		SIZE C	DRAWING NO. HWS15118C	REV. 1
			CHECKED BY:		SCALE:		SHEET 1 OF 1
		APPROVED BY:					

1	220415019150	INITIAL RELEASE	DPO	MMA
REV.	ECN	DATE	CHG BY	APPD BY