



4600

Heavy Duty Designer Deadlatch Handles

The 4600 Heavy Duty Designer Deadlatch Handles are designed to operate Adams Rite deadlatches and retro-fit onto the 2190 Interconnected Deadbolt/Deadlatch. Offered in a wide range of lever designs and architectural finishes to match the clean lines of a narrow stile door.



Function

Designed to operate 4300, 4500, and 4900 Series Deadlatches with either an upward or downward motion. 4600 Deadlatch Handles can be retrofitted in the field onto the 2190/2290 Interconnected Deadbolt/Deadlatch. Shipped handed, but easily reconfigured to accommodate either door swing. MV and MN handle types cannot be re-handed. The patented adjustable drive mechanism allows the escutcheon to be set back from the door edge at the time of installation to provide additional clearance. Monitoring switch optional to provide signal when lever is actuated.

Features

Handle

Available in standard and designer series levers to blend with existing architecture or to create a new design statement. Made from solid cast stainless, brass, or bronze, and finished to match any design requirement.

Standard series lever styles (-01, -02, -03) are designed to return within 1/2" [12.7 mm] of the door face, often required by code.

Please verify local code requirements to ensure compliance.

Escutcheons

Mounted base is secured by hidden screws and has two large helical compression springs. A 1/4" [6.4 mm] square heat-treated spindle is part of escutcheon assembly, which interlocks with the cam plug. Finished to match lever.

Cam Plug

Cam plug is required when 4600 handles are used to operate 4300, 4500 or 4900 Series Deadlatches.

Secured to the latch body by cylinder setscrew, the cam plug is tied to the handle escutcheon by integral anti-rotation pins.

Handing easily reversed with push-and-release cam design.

Standard Package

Individually packaged with cam plug (as needed), fasteners, and optional equipment specified.

Shipping weight

3 lbs [1.36 kg].

Options

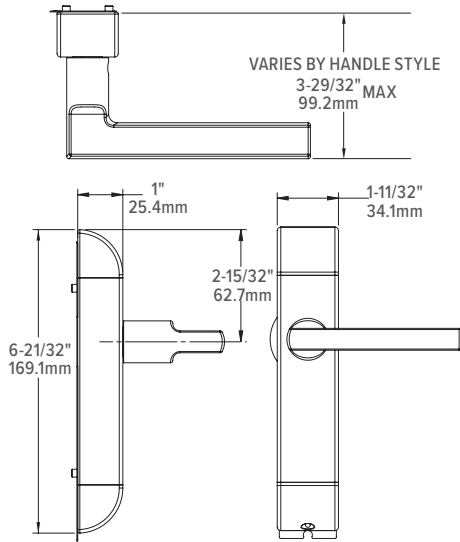
- Ordered for left or right hand door, but is easily reconfigured in the field to accommodate either door swing.

- Standard handles are for 1-3/4" [44.5 mm] thick doors. Please contact factory for doors up to 3-1/4" [82.6 mm] available by special order. Please use part number DTK-4600 for fixed lever (dummy) kit.
- Please use part number TBK-4600 for through-bolt mounting kit for back-to-back mounting on wood doors.
- Available in choice of US3 (605) Bright brass, US4 (606) Satin brass, 10B powder coat to match Dark Bronze, US32 (629) Bright stainless, or US32D (630) Satin stainless.

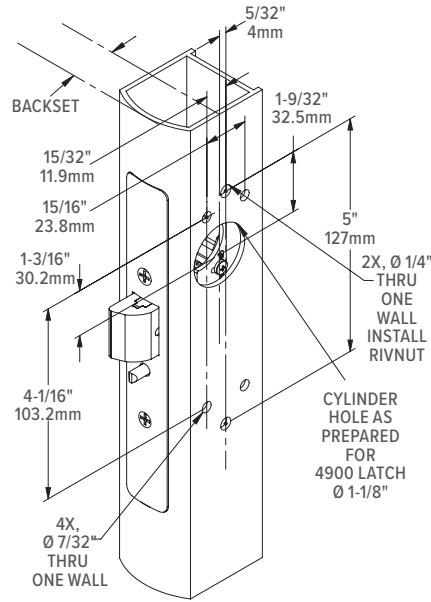
Product Note

The 4600M with switch option cannot be used in conjunction with the 4300 Electrified Deadlatch.

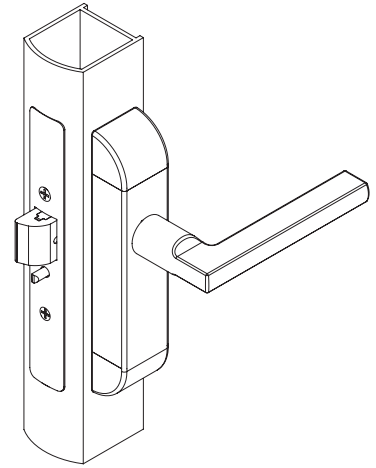
Dimensions



Stile Preparation



Installation



How to Order, Related & Compatible Products

4600 Heavy Duty Deadlatch Handles: Specify quantity and the following information. Order related products separately.

MODEL	REX	HANDLE	HANDING**	DOOR THICKNESS	COMPATIBLE PRODUCTS	FINISH
4600	M	-01	-5	1	1	-32D
	(blank) Standard	STANDARD HANDLES	5 LH or LHR	1 1-3/4" to 1-7/8"	1 2190, 2290 Interconnected Deadbolt/Deadlatch	US3 Bright Brass
	M Monitored Trim	01 Curve	6 RH or RHR	2 2" to 2-1/8"		US4 Satin Brass
		02 Round		3 2-1/4" to 2-3/8"	2 4300, 4500, 4900 Series Deadlatches	10B to match Dark Bronze
		03 Square		4 2-1/2" to 2-5/8"		US32 Bright Stainless
		DESIGNER SERIES		5 2-3/4" to 2-7/8"		US32D Satin Stainless
		MD MJ				
		ME MN* (Handed)				
		MG MV* (Handed)				
		MI MW				

* Handing must be specified for MN and MV Designer Levers. **Handing - assumes lever on interior of door.

RELATED PRODUCTS

When purchasing this product, please consider the following related products, available separately:

ACCESSORIES
REX-4600 Request to Exit, DTK-4600 Fixed Lever (dummy) Kit, TDK-4600-XX Thick Door Kit for doors 2" to 2-7/8", TBK-4600-XX Thru-Bolt Mounting Kit for back-to-back mounting on wood doors.

COMPATIBLE PRODUCTS

DEADLATCHES
4300 Electrified Deadlatches, 4510, 4530, 4900, 4920AN Series Deadlatches.

