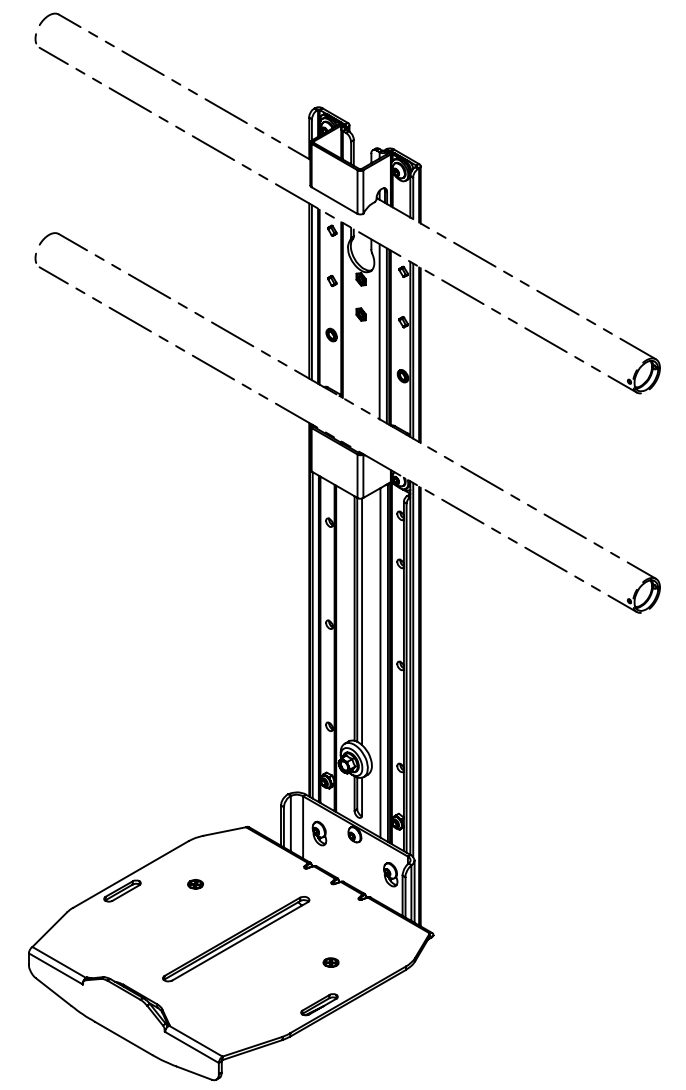
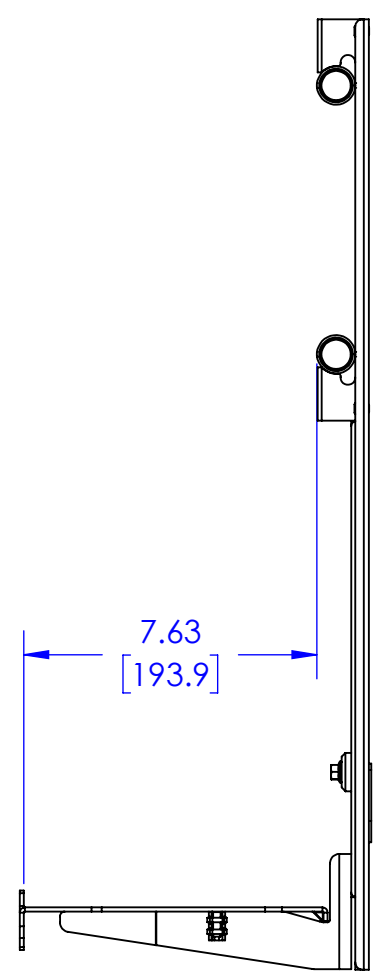
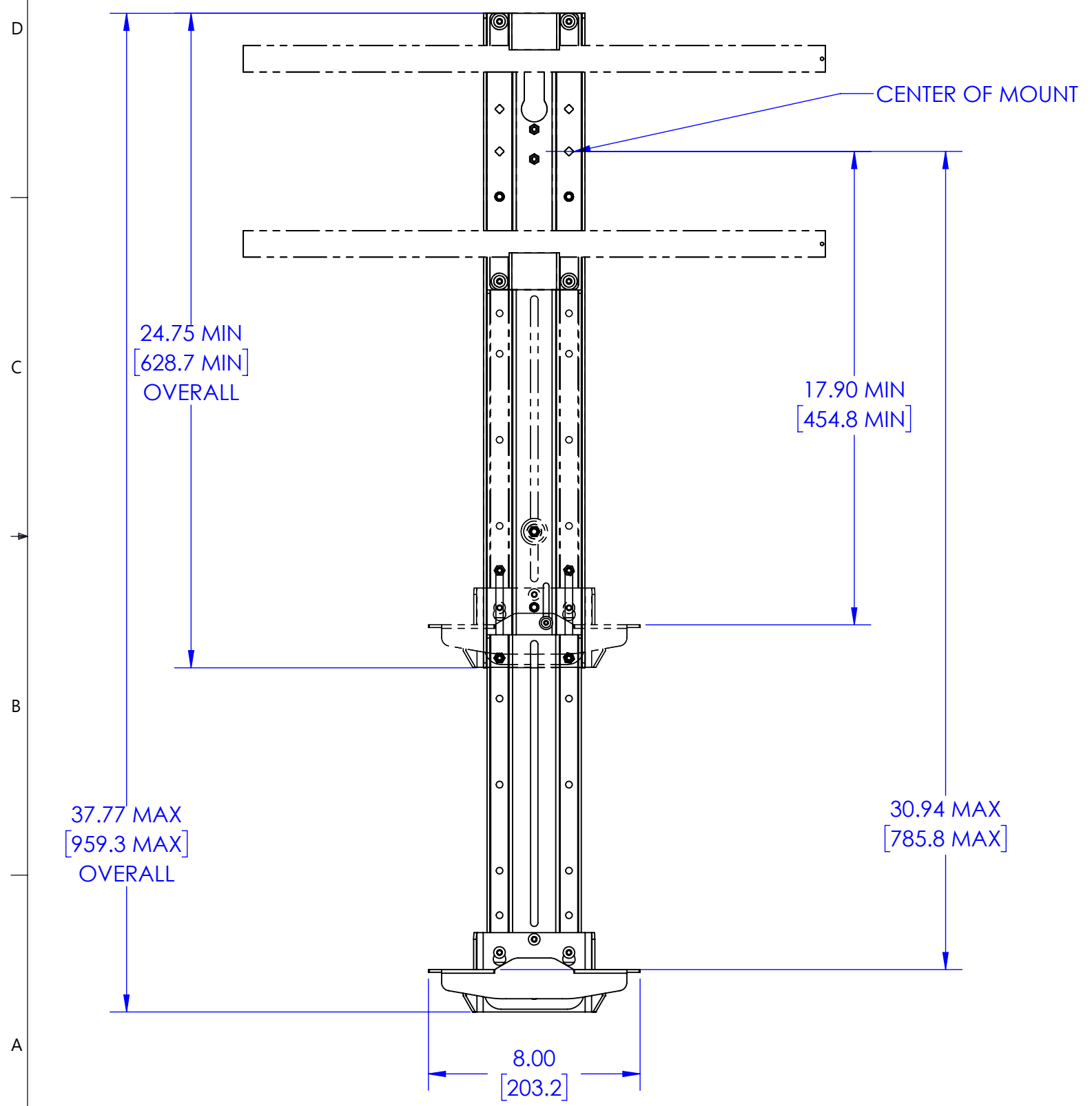


FUSION WALL BELOW MOUNT SETUP WITH LONG EXTENSION



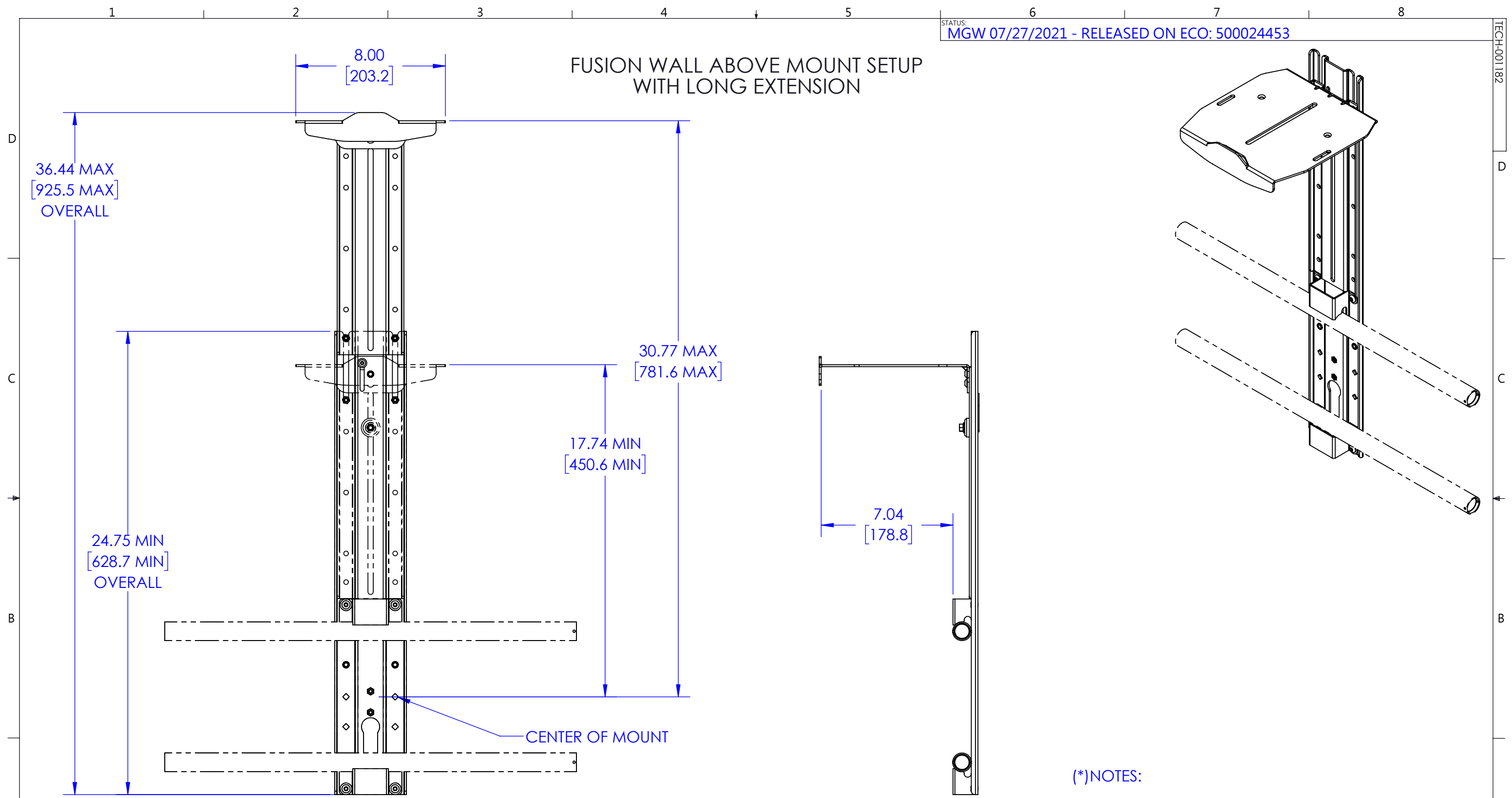
(\*):NOTES:

- TYPICAL FUSION INTERFACES ARE 0.5" [12.7] DEEP

THE INFORMATION AND DESIGNS CONTAINED IN THIS DRAWING ARE CONFIDENTIAL AND THE PROPRIETARY PROPERTY OF MILESTONE AV TECHNOLOGIES NEITHER THIS DESIGN NOR ANY INFORMATION CONTAINED IN THIS DRAWING MAY BE REPRODUCED OR DISCLOSED TO OTHERS WITHOUT THE EXPRESS WRITTEN CONSENT OF MILESTONE AV TECHNOLOGIES.

CAD GENERATED DRAWING, DO NOT MANUALLY UPDATE.					6436 CITY WEST PKWY EDEN PRAIRIE MN, 55344 PHONE: 866-977-3901 FAX: 877-894-6918	
DRAWN BY	MGW	2021-07-27	DESCRIPTION			
ENG APPROVAL			FCA815			
MFG APPROVAL			MODEL NO.			
QA APPROVAL			FCA815			
SHEET 1 OF 8		SCALE	SIZE	DWG. NO.	REV.	
		1:5	B	TECH-001182	00	

FUSION WALL ABOVE MOUNT SETUP WITH LONG EXTENSION



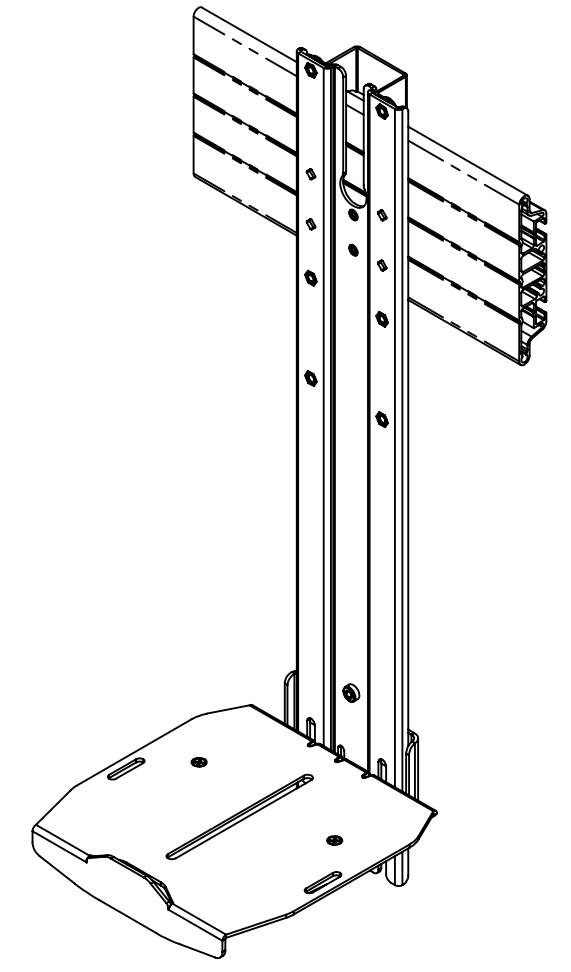
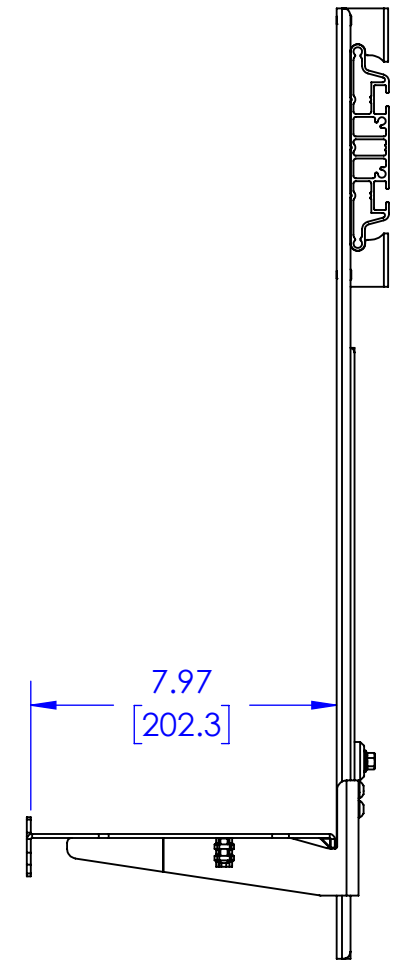
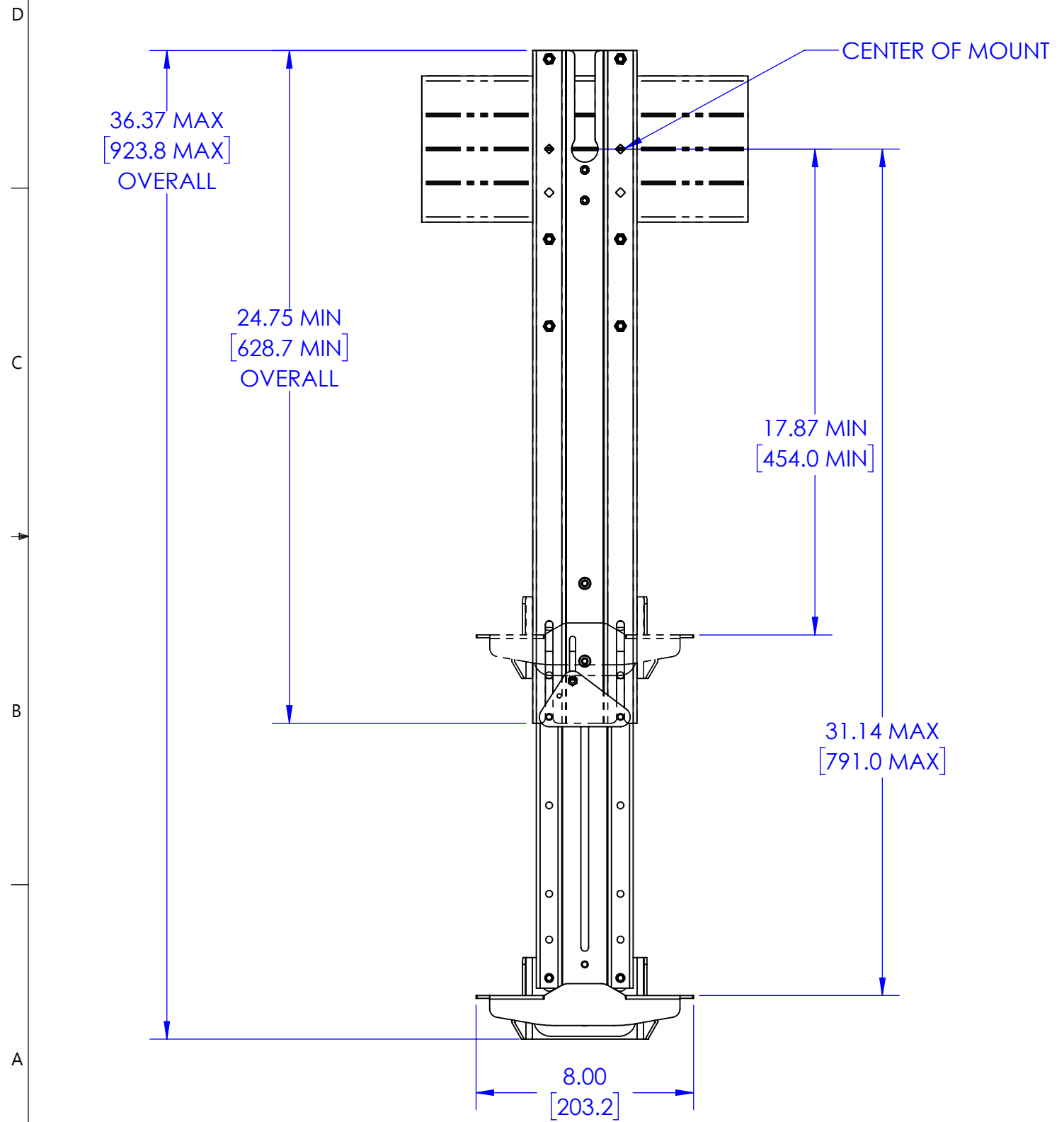
(\*)NOTES:

- TYPICAL FUSION INTERFACES ARE 0.5" [12.7] DEEP

THE INFORMATION AND DESIGNS CONTAINED IN THIS DRAWING ARE CONFIDENTIAL AND THE PROPRIETARY PROPERTY OF MILESTONE AV TECHNOLOGIES NEITHER THIS DESIGN NOR ANY INFORMATION CONTAINED IN THIS DRAWING MAY BE REPRODUCED OR DISCLOSED TO OTHERS WITHOUT THE EXPRESS WRITTEN CONSENT OF MILESTONE AV TECHNOLOGIES.

CAD GENERATED DRAWING, DO NOT MANUALLY UPDATE.					6436 CITY WEST PKWY EDEN PRAIRIE MN, 55344 PHONE: 866-977-3901 FAX: 877-894-6918	
DRAWN BY	MGW	2021-07-27	DESCRIPTION			
ENG APPROVAL			FCA815			
MFG APPROVAL			MODEL NO.			
QA APPROVAL			FCA815			
SHEET 2 OF 8		SCALE	SIZE	DWG. NO.	REV.	
		1:5	B	TECH-001182	00	

### FUSION CEILING/CART BELOW MOUNT SETUP WITH LONG EXTENSION



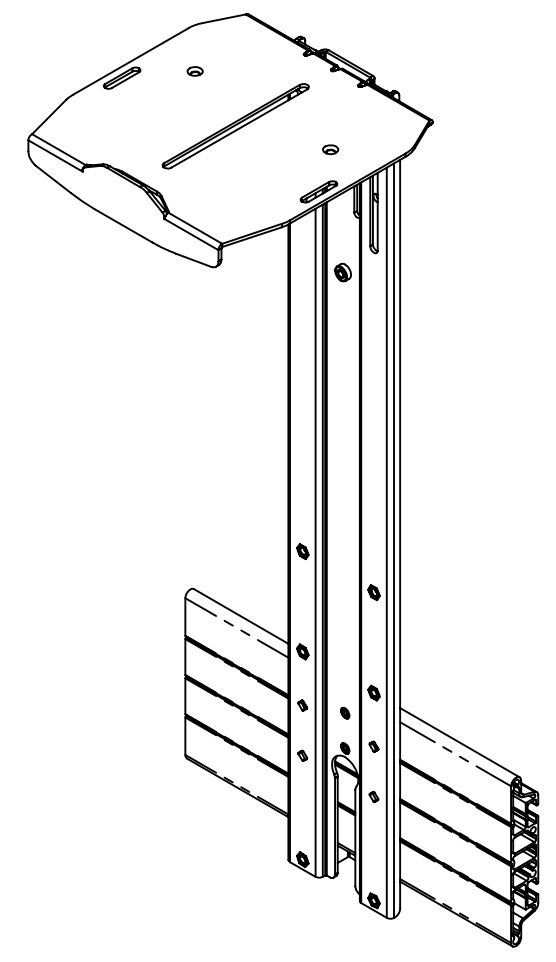
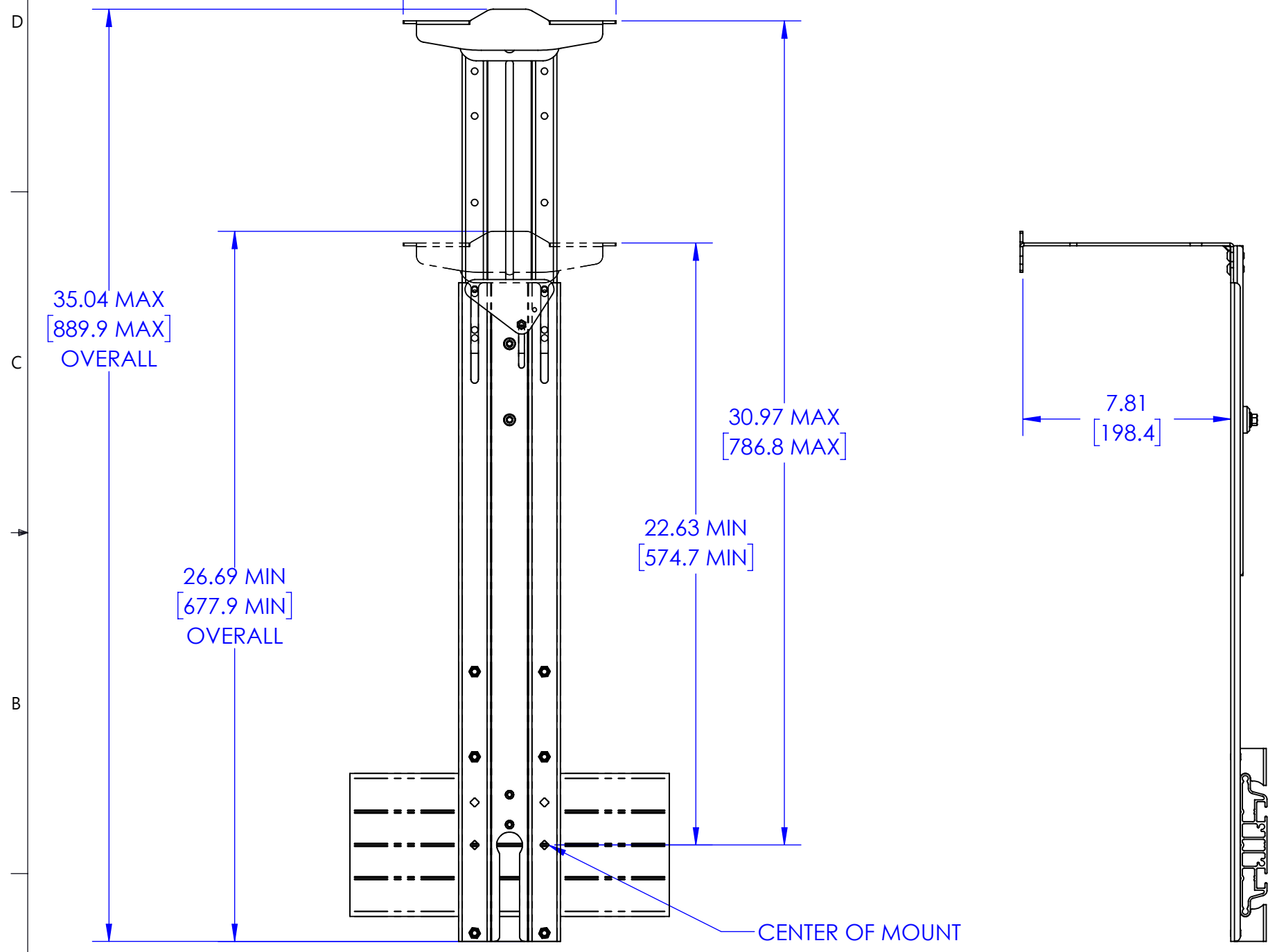
(\*)NOTES:

- TYPICAL SINGLE DISPLAY MODELS HAVE INTERFACE DEPTHS .5" [12.7]
- TYPICAL DUAL DISPLAY MODELS HAVE INTERFACE DEPTHS 1.9" [48.3]
- FCA623 DUAL MONITOR INTERFACES ARE 1.4" DEEP [35.6]

THE INFORMATION AND DESIGNS CONTAINED IN THIS DRAWING ARE CONFIDENTIAL AND THE PROPRIETARY PROPERTY OF MILESTONE AV TECHNOLOGIES NEITHER THIS DESIGN NOR ANY INFORMATION CONTAINED IN THIS DRAWING MAY BE REPRODUCED OR DISCLOSED TO OTHERS WITHOUT THE EXPRESS WRITTEN CONSENT OF MILESTONE AV TECHNOLOGIES.

CAD GENERATED DRAWING, DO NOT MANUALLY UPDATE.					6436 CITY WEST PKWY EDEN PRAIRIE MN, 55344 PHONE: 866-977-3901 FAX: 877-894-6918	
DRAWN BY	MGW	2021-07-27	DESCRIPTION			
ENG APPROVAL			FCA815			
MFG APPROVAL			MODEL NO.			
QA APPROVAL			FCA815			
SHEET 3 OF 8		SCALE	SIZE	DWG. NO.	REV.	
		1:5	B	TECH-001182	00	

FUSION CEILING/CART ABOVE MOUNT SETUP WITH LONG EXTENSION



(\*)NOTES:

- TYPICAL SINGLE DISPLAY MODELS HAVE INTERFACE DEPTHS .5" [12.7]
- TYPICAL DUAL DISPLAY MODELS HAVE INTERFACE DEPTHS 1.9" [48.3]
- FCA623 DUAL MONITOR INTERFACES ARE 1.4" DEEP [35.6]

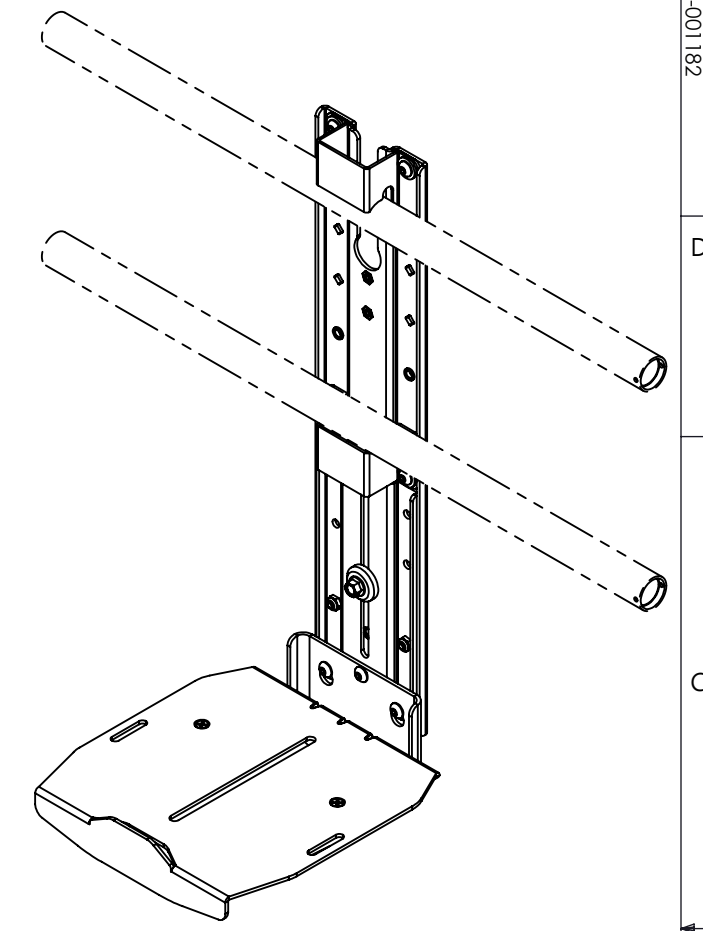
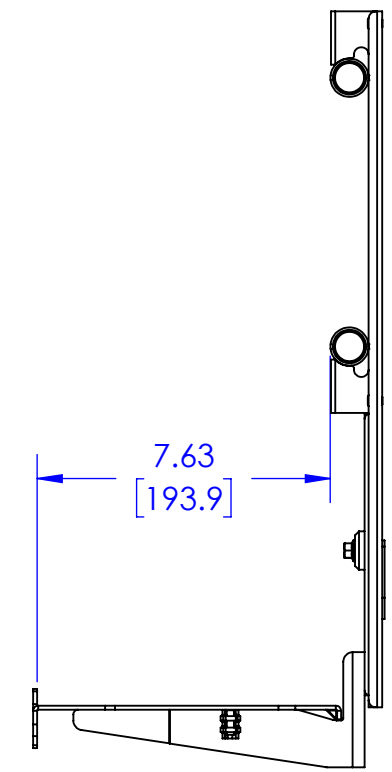
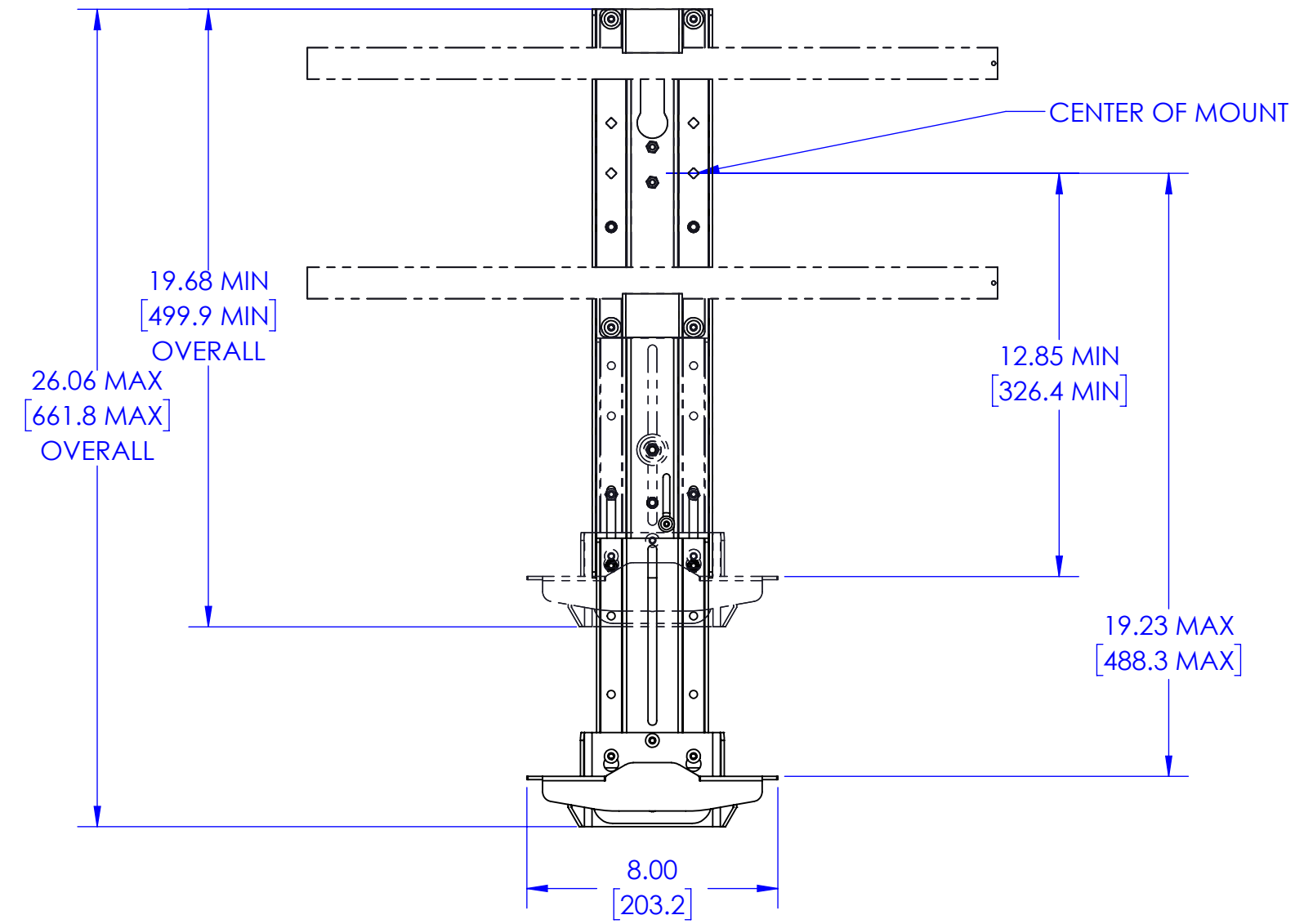
THE INFORMATION AND DESIGNS CONTAINED IN THIS DRAWING ARE CONFIDENTIAL AND THE PROPRIETARY PROPERTY OF MILESTONE AV TECHNOLOGIES NEITHER THIS DESIGN NOR ANY INFORMATION CONTAINED IN THIS DRAWING MAY BE REPRODUCED OR DISCLOSED TO OTHERS WITHOUT THE EXPRESS WRITTEN CONSENT OF MILESTONE AV TECHNOLOGIES.

CAD GENERATED DRAWING, DO NOT MANUALLY UPDATE.					6436 CITY WEST PKWY EDEN PRAIRIE MN, 55344 PHONE: 866-977-3901 FAX: 877-894-6918	
DRAWN BY	MGW	2021-07-27	DESCRIPTION			
ENG APPROVAL			FCA815			
MFG APPROVAL			MODEL NO.			
QA APPROVAL			FCA815			
SHEET 4 OF 8		SCALE	SIZE	DWG. NO.	REV.	
		1:5	B	TECH-001182	00	

FUSION WALL BELOW MOUNT SETUP WITH SHORT EXTENSION

D  
C  
B  
A

D  
C  
B  
A



(\* )NOTES:

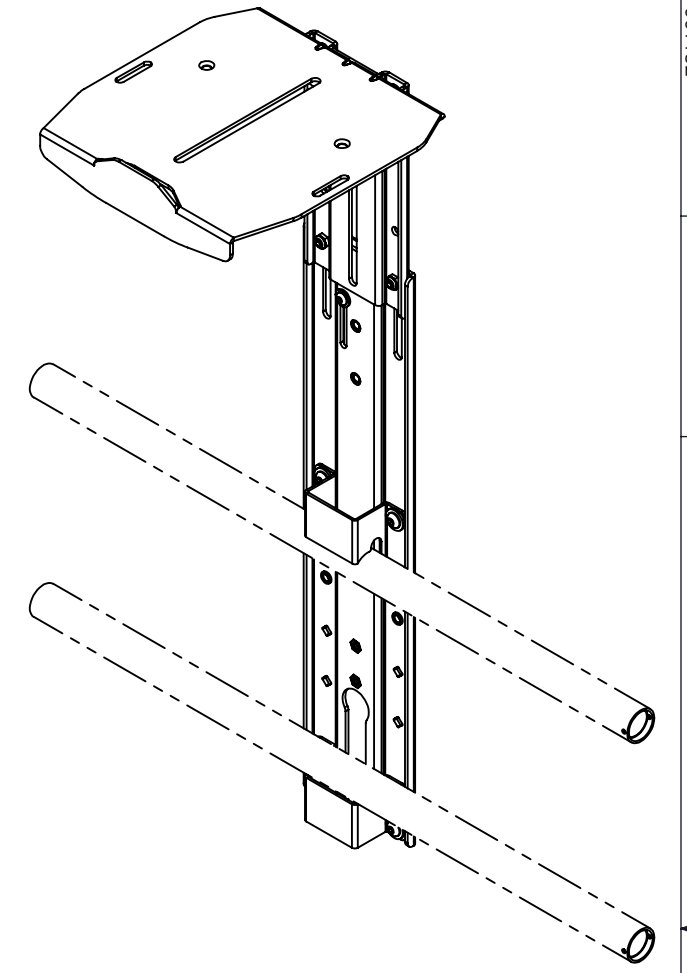
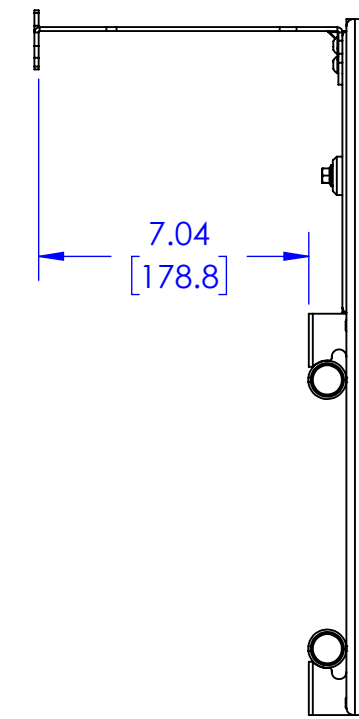
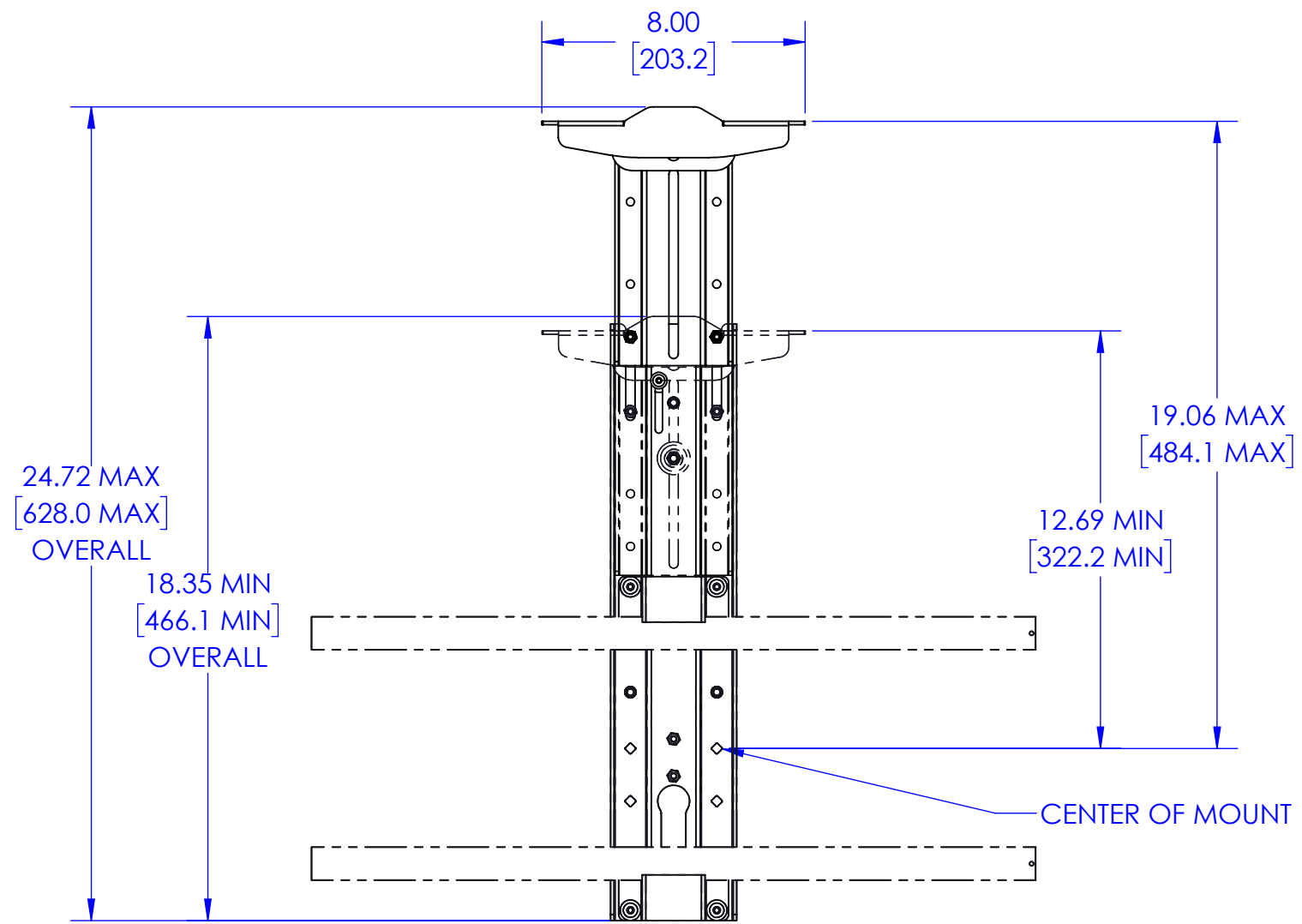
- TYPICAL FUSION INTERFACES ARE 0.5" [12.7] DEEP

THE INFORMATION AND DESIGNS CONTAINED IN THIS DRAWING ARE CONFIDENTIAL AND THE PROPRIETARY PROPERTY OF MILESTONE AV TECHNOLOGIES NEITHER THIS DESIGN NOR ANY INFORMATION CONTAINED IN THIS DRAWING MAY BE REPRODUCED OR DISCLOSED TO OTHERS WITHOUT THE EXPRESS WRITTEN CONSENT OF MILESTONE AV TECHNOLOGIES.

CAD GENERATED DRAWING, DO NOT MANUALLY UPDATE.					6436 CITY WEST PKWY EDEN PRAIRIE MN, 55344 PHONE: 866-977-3901 FAX: 877-894-6918	
DRAWN BY	MGW	2021-07-27	DESCRIPTION			
ENG APPROVAL			FCA815			
MFG APPROVAL			MODEL NO.			
QA APPROVAL			FCA815			
SHEET 5 OF 8		SCALE	SIZE	DWG. NO.	REV.	
		1:5	B	TECH-001182	00	

### FUSION WALL ABOVE MOUNT SETUP WITH SHORT EXTENSION

D  
C  
B  
A



D  
C  
B  
A

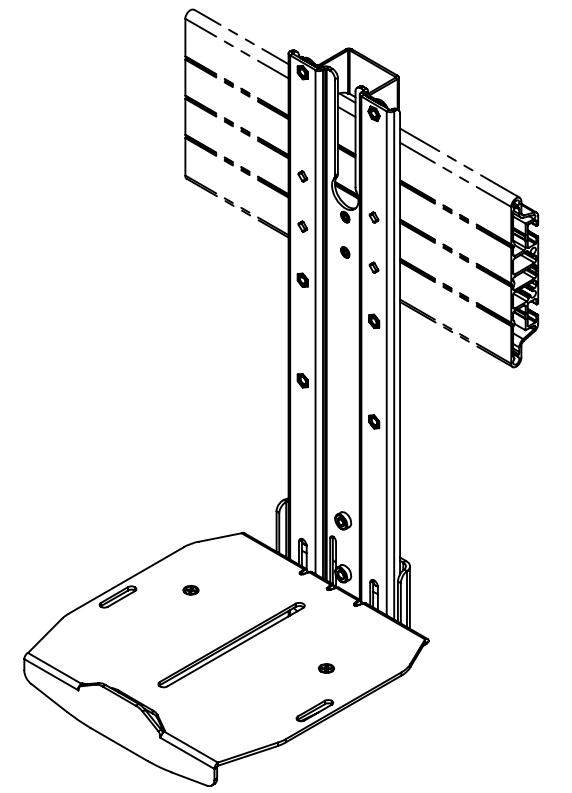
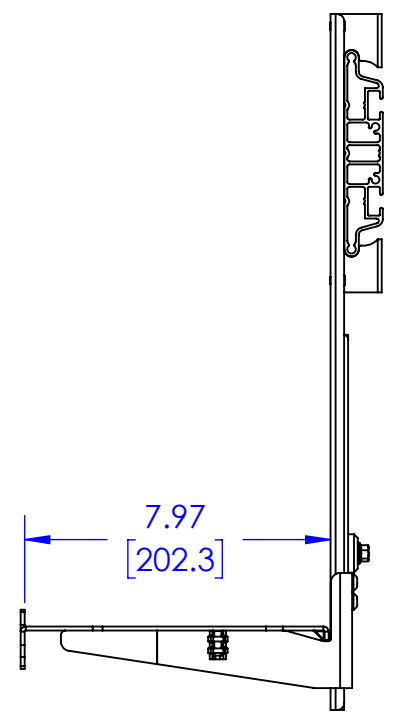
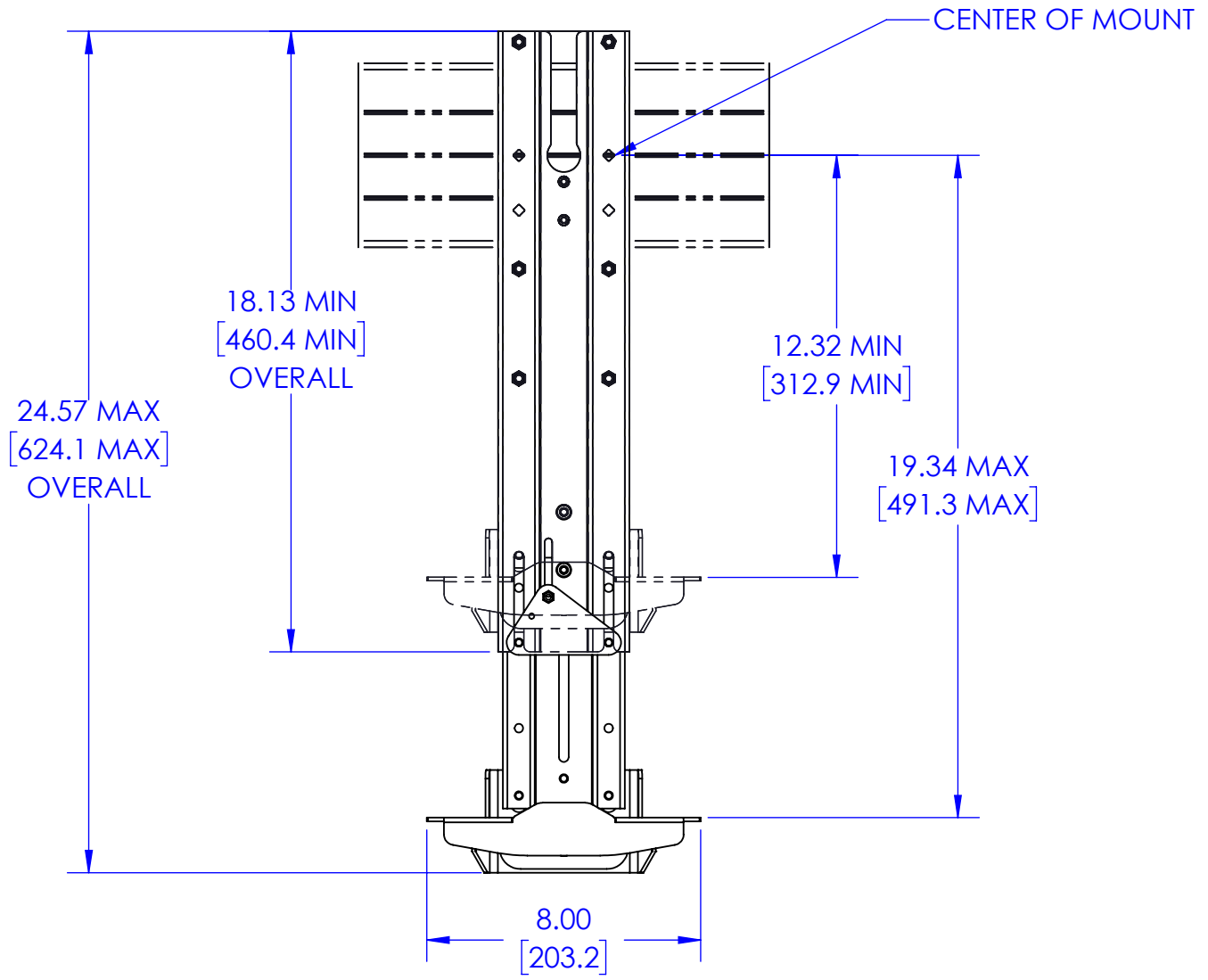
(\*)NOTES:

- TYPICAL FUSION INTERFACES ARE 0.5" [12.7] DEEP

THE INFORMATION AND DESIGNS CONTAINED IN THIS DRAWING ARE CONFIDENTIAL AND THE PROPRIETARY PROPERTY OF MILESTONE AV TECHNOLOGIES NEITHER THIS DESIGN NOR ANY INFORMATION CONTAINED IN THIS DRAWING MAY BE REPRODUCED OR DISCLOSED TO OTHERS WITHOUT THE EXPRESS WRITTEN CONSENT OF MILESTONE AV TECHNOLOGIES.

CAD GENERATED DRAWING, DO NOT MANUALLY UPDATE.					6436 CITY WEST PKWY EDEN PRAIRIE MN, 55344 PHONE: 866-977-3901 FAX: 877-894-6918	
DRAWN BY	MGW	2021-07-27	DESCRIPTION			
ENG APPROVAL			FCA815			
MFG APPROVAL			MODEL NO.			
QA APPROVAL			FCA815			
SHEET 6 OF 8		SCALE	SIZE	DWG. NO.	REV.	
		1:5	B	TECH-001182	00	

### FUSION CEILING/CART BELOW MOUNT SETUP WITH SHORT EXTENSION



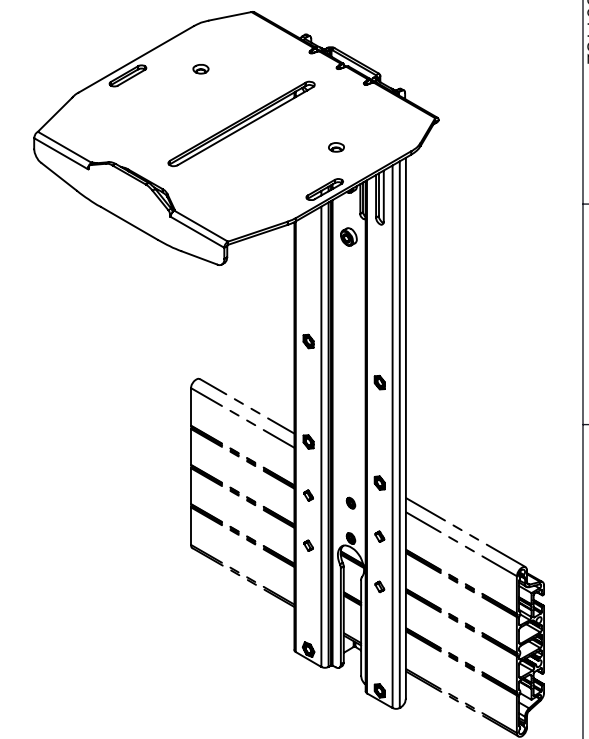
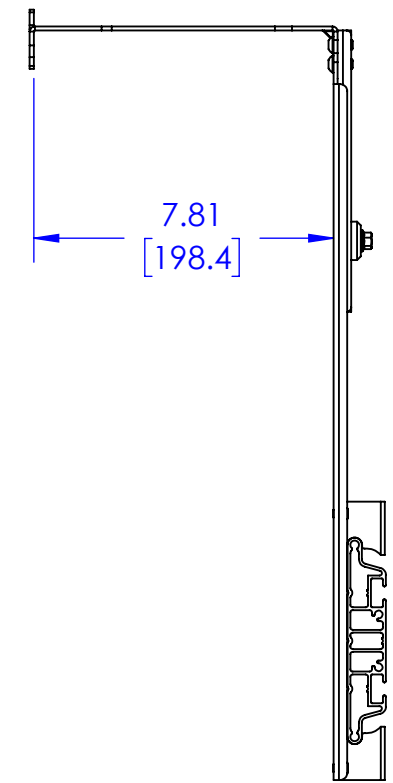
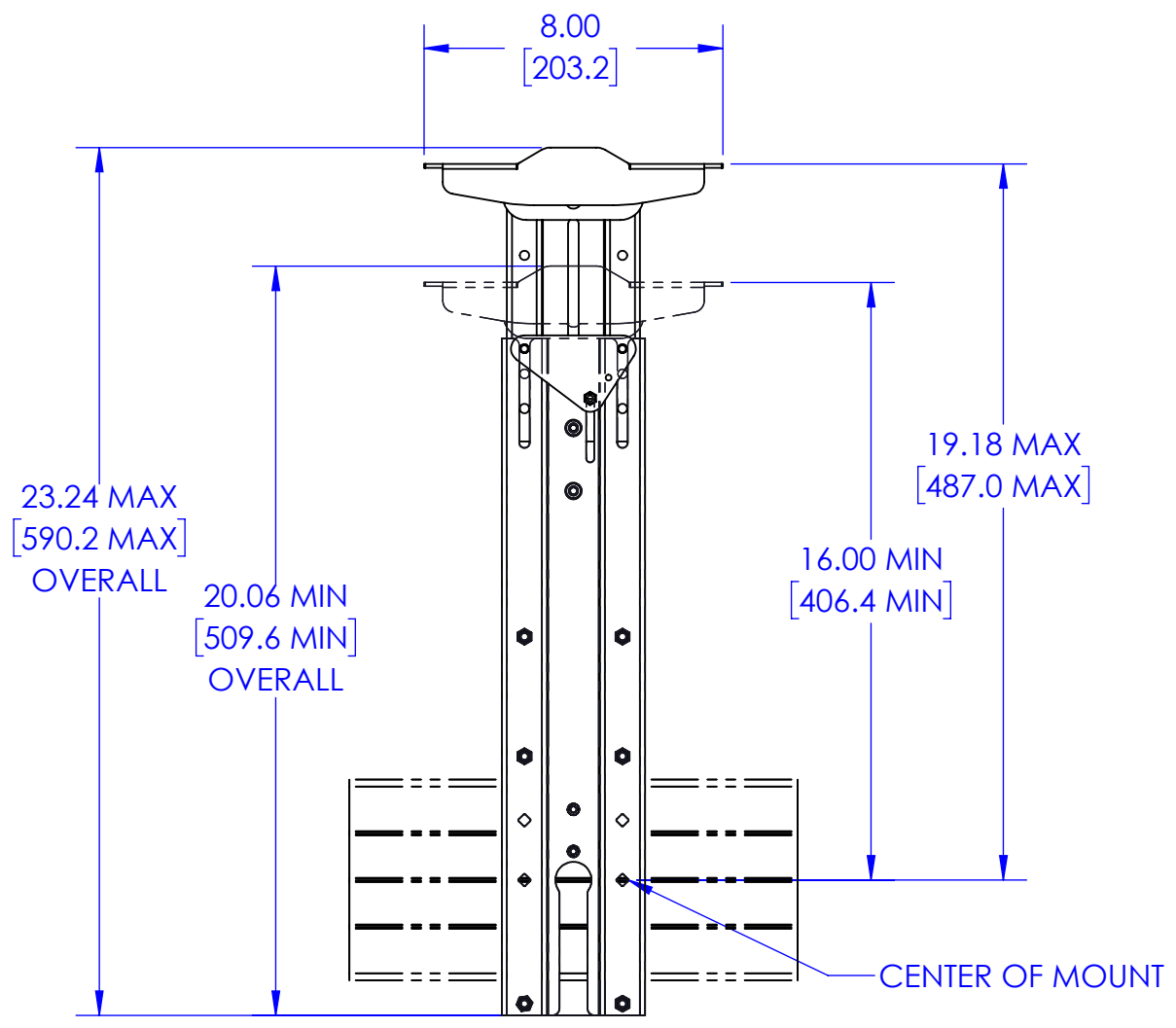
(\*):NOTES:

- TYPICAL SINGLE DISPLAY MODELS HAVE INTERFACE DEPTHS .5" [12.7]
- TYPICAL DUAL DISPLAY MODELS HAVE INTERFACE DEPTHS 1.9" [48.3]
- FCA623 DUAL MONITOR INTERFACES ARE 1.4" DEEP [35.6]

THE INFORMATION AND DESIGNS CONTAINED IN THIS DRAWING ARE CONFIDENTIAL AND THE PROPRIETARY PROPERTY OF MILESTONE AV TECHNOLOGIES NEITHER THIS DESIGN NOR ANY INFORMATION CONTAINED IN THIS DRAWING MAY BE REPRODUCED OR DISCLOSED TO OTHERS WITHOUT THE EXPRESS WRITTEN CONSENT OF MILESTONE AV TECHNOLOGIES.

CAD GENERATED DRAWING, DO NOT MANUALLY UPDATE.					6436 CITY WEST PKWY EDEN PRAIRIE MN, 55344 PHONE: 866-977-3901 FAX: 877-894-6918	
DRAWN BY	MGW	2021-07-27	DESCRIPTION			
ENG APPROVAL			FCA815			
MFG APPROVAL			MODEL NO.			
QA APPROVAL			FCA815			
SHEET 7 OF 8		SCALE	SIZE	DWG. NO.	REV.	
		1:5	B	TECH-001182	00	

FUSION CEILING/CART ABOVE MOUNT SETUP WITH SHORT EXTENSION



(\*)NOTES:

- TYPICAL SINGLE DISPLAY MODELS HAVE INTERFACE DEPTHS .5" [12.7]
- TYPICAL DUAL DISPLAY MODELS HAVE INTERFACE DEPTHS 1.9" [48.3]
- FCA623 DUAL MONITOR INTERFACES ARE 1.4" DEEP [35.6]

THE INFORMATION AND DESIGNS CONTAINED IN THIS DRAWING ARE CONFIDENTIAL AND THE PROPRIETARY PROPERTY OF MILESTONE AV TECHNOLOGIES NEITHER THIS DESIGN NOR ANY INFORMATION CONTAINED IN THIS DRAWING MAY BE REPRODUCED OR DISCLOSED TO OTHERS WITHOUT THE EXPRESS WRITTEN CONSENT OF MILESTONE AV TECHNOLOGIES.

CAD GENERATED DRAWING, DO NOT MANUALLY UPDATE.					6436 CITY WEST PKWY EDEN PRAIRIE MN, 55344 PHONE: 866-977-3901 FAX: 877-894-6918	
DRAWN BY	MGW	2021-07-27	DESCRIPTION			
ENG APPROVAL			FCA815			
MFG APPROVAL			MODEL NO.			
QA APPROVAL			FCA815			
SHEET 8 OF 8		SCALE	SIZE	DWG. NO.	REV.	
		1:5	B	TECH-001182	00	