



Panels

JIC & Small Panels, RHC Panels, Type 1 Medium Panels,
 NEMA Panels, JIC Perforated Panels, Medium Perforated
 Panels, Flanged Panels, Wood Back Panels, 406-413

Panel Accessories - JIC & NEMA Swing Panel Kits, Panel Supports, Lifting Hooks 414-416

Window Kits - Fixed & Hinged 417-418

Door Accessories - Door Stops & Print Pockets 418

Locks, Latches, Inserts, Handles, Clamps

Locks, Latches, Inserts, & Handles 419-429

Clamp Kits, Padlock Kit 430-432

Bolt-On Accessories

Folding Shelf Kit & Gland Plates, Floor Stand Kit & Stabilizer 433-434

Louver Plate Kits, Filters, & Filter Adhesive 435-436

Baffle Plates & Hole Seals, Drip Shields & Casters, Barriers, Component Mounting Device 437-440

Electrical Accessories

JIC & NEMA Terminal Strap & Block Strip Kits 441-443

Terminal Blocks - Channel Mounted & Flat Base, Terminal Strap Support 444-446

Enclosure Lights & Interlocks 446-448

Door Switch & Receptacles 449-450

Disconnect Adapter Kits & Blank Adapter Plates 451

Columns & Bases 452-453

Hardware

Hardware Packages, Ground Lug & Devices, Sealing Devices, Clamping
 Nuts, Touch-Up Paint 454-456

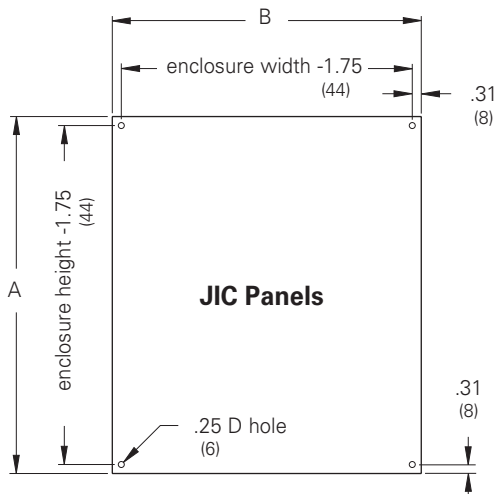
Accessories

Panels & Panel Accessories
JIC & Small Panels
 Illustration Sheet and Catalog Number

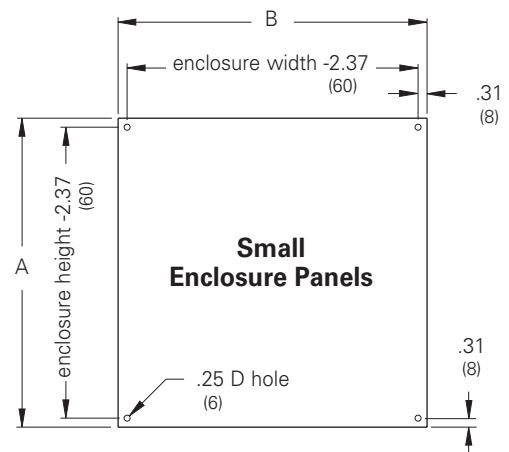
Discount Schedule: C2; A2
Subclass: DSA - JIC
DSE - Small Enclosure

JIC Flat Panel Catalog Number				A		B		Gauge	Fits Enclosure	
Painted Steel	Galvanized Steel	Stainless	Aluminum	in.	mm	in.	mm		in.	mm
AW64P	AW64GP	AW64SP	AW64AP	4.87	124	2.87	73	14	6.00x4.00	152x102
AW66P	AW66GP	AW66SP	AW66AP	4.87	124	4.87	124	14	6.00x6.00	152x152
AW86P	AW86GP	AW86SP	AW86AP	6.87	174	4.87	124	14	8.00x6.00	203x152
AW88P	AW88GP	AW88SP	AW88AP	6.87	174	6.87	174	14	8.00x8.00	203x203
AW108P	AW108GP	AW108SP	AW108AP	8.87	225	6.87	174	14	10.00x8.00	254x203
AW1010P	AW1010GP	AW1010SP	AW1010AP	8.87	225	8.87	225	14	10.00x10.00	254x254
AW126P	—	—	—	10.87	276	4.87	124	14	12.00x6.00	305x152
AW1210P	AW1210GP	AW1210SP	AW1210AP	10.87	276	8.87	225	14	12.00x10.00	305x254
AW1212P	AW1212GP	AW1212SP	AW1212AP	10.87	276	10.87	276	14	12.00x12.00	305x305
AW148P	—	—	—	12.87	327	6.87	174	14	14.00x8.00	356x203
AW1412P	AW1412GP	AW1412SP	AW1412AP	12.87	327	10.87	276	14	14.00x12.00	356x305
AW1610P	—	—	—	14.87	378	8.87	225	14	16.00x10.00	406x254
AW1614P	AW1614GP	AW1614SP	AW1614AP	14.87	378	12.87	327	14	16.00x14.00	406x356

Small Enclosure Flat Panel Catalog Number	A		B		Gauge	Fits Enclosure	
	in.	mm	in.	mm		in.	mm
N66P	4.25	108	4.25	108	14	6.00x6.00	152x152
N86P	6.25	159	4.25	108	14	8.00x6.00	203x152
N88P	6.25	159	6.25	159	14	8.00x8.00	203x203
N108P	8.25	210	6.25	159	14	10.00x8.00	254x203
N1010P	8.25	210	8.25	210	14	10.00x10.00	254x254
N1210P	10.25	260	8.25	210	14	12.00x10.00	305x254
N1212P	10.25	260	10.25	260	14	12.00x12.00	305x305
N1412P	12.25	360	10.25	260	14	14.00x12.00	356x305
N2012P	18.25	463	10.25	260	14	20.00x12.00	508x305



JIC panels can be installed in all types of JIC Enclosures. Some sizes will fit the NEMA 12 Lay-In Wireway Junction Box. Panels are available in steel, galvanized steel, stainless and aluminum. Painted steel panels have a white powder finish. Stainless steel and aluminum panels have a smooth brushed finish on one side and protected with PVC film.



Small Enclosure panels can be installed in Small Type 3R RHC and Small Type 1 Enclosures. Panels are only available in steel, and have a white powder finish.

Notes: Dimensions are in inches. Millimeters shown are for reference only. Data subject to change without notice.

Panels & Panel Accessories
RHC Panels

Illustration Sheet and Catalog Number



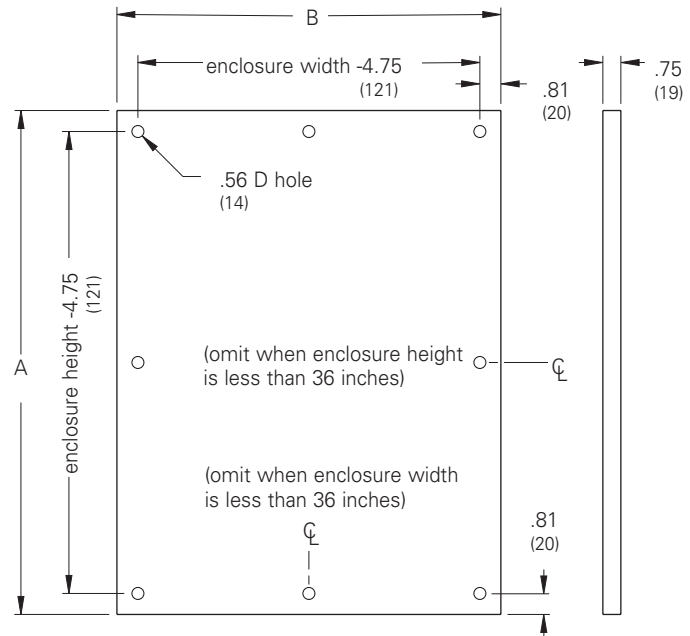
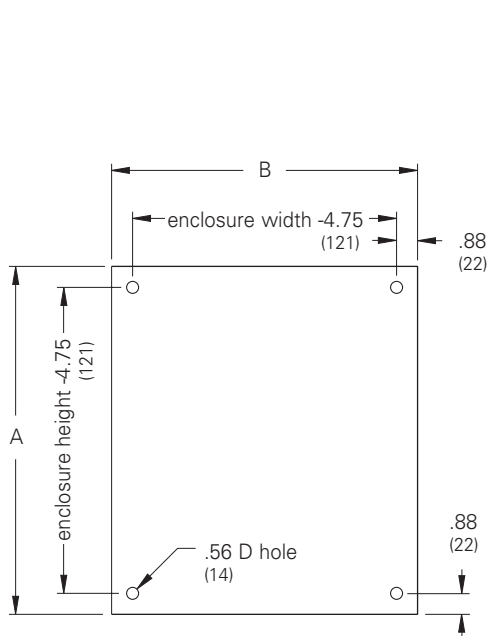
Discount Schedule: C2

Subclass: DSE

Flat Panel Catalog Number	A		B		Gauge	Fits Enclosure	
	in.	mm	in.	mm		Height in.	Width mm
N1612P	13.00	330	9.00	229	12	16.00x12.00	406x305
N1616P	13.00	330	13.00	330	12	16.00x16.00	406x406
N1818P	15.00	381	15.00	381	12	18.00x18.00	457x457
N2016P	17.00	432	13.00	330	12	20.00x16.00	508x406
N2020P	17.00	432	17.00	432	12	20.00x20.00	508x508

Flanged Panel Catalog Number	A		B		Gauge	Fits Enclosure	
	in.	mm	in.	mm		Height in.	Width mm
N2420P	20.87	530	16.87	428	12	24.00x20.00	610x508
N2424P	20.87	530	20.87	530	12	24.00x24.00	610x610
N3024P	26.87	682	20.87	530	12	30.00x24.00	762x610
N3624P	32.87	835	20.87	530	12	36.00x24.00	914x610
N3030P	26.87	682	26.87	682	12	30.00x30.00	762x762
N3630P	32.87	835	26.87	682	12	36.00*x30.00*	914x762
N4230P	38.87	987	26.87	682	12	42.00*x30.00*	1067x762
N4830P	44.87	1140	26.87	682	12	48.00*x30.00*	1219x762
N3636P	32.87	835	32.87	835	12	36.00x36.00	914x914
N4236P	38.87	987	32.87	835	12	42.00*x36.00*	1067x914
N4836P	44.87	1140	32.87	835	12	48.00*x36.00*	1219x914
N6036P	56.87	1444	32.87	835	12	60.00x36.00	1524x914

* Panel also fits these enclosures when height and width dimensions are reversed.



RHC Flat Panels can be installed in Large Type 3R RHC Enclosures. Panels are only available in steel and have a white powder paint finish.

RHC Flanged Panels can be installed in Large Type 3R RHC Enclosures. Panels are only available in steel and have a white powder paint finish.

RHC Flat Panels

RHC Flanged Panels

Notes: Dimensions are in inches. Millimeters shown are for reference only. Data subject to change without notice.

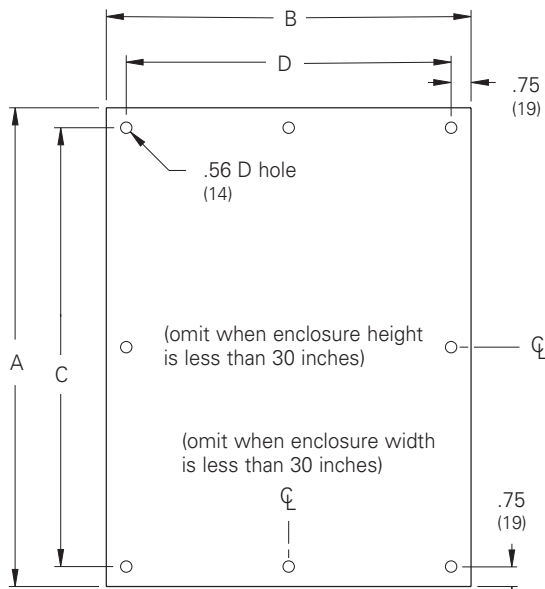
Panels & Panel Accessories
Type 1 Medium Enclosure & NEMA Flat Panels
 Illustration Sheet and Catalog Number

Discount Schedule: C2
Subclass: DSF - Type 1 Medium
DSB - NEMA

Type 1 Medium Enclosure Flat Panel Catalog Number	A		B		C		D		Gauge	Fits Enclosure Height x Width	
	in.	mm	in.	mm	in.	mm	in.	mm		in.	mm
AW1612-1P	13.00	330	10.50	267	11.50	292	9.00	228	14	16.00x12.00	406X305
AW1616-1P	13.00	330	14.50	368	11.50	292	13.00	330	14	16.00x16.00	406X406
AW1620-1P	13.00	330	18.50	470	11.50	292	17.00	432	14	16.00x20.00	406X508
AW2016-1P	17.00	432	14.50	368	15.50	394	13.00	330	14	20.00x16.00	508X406
AW2020-1P	17.00	432	18.50	470	15.50	394	17.00	432	14	20.00x20.00	508X508
AW2024-1P	17.00	432	22.50	572	15.50	394	21.00	533	14	20.00x24.00	508X610
AW2416-1P	21.00	533	14.50	368	19.50	495	13.00	330	14	24.00x16.00	610X406
AW2420-1P	21.00	533	18.50	470	19.50	495	17.00	432	14	24.00x20.00	610X508
AW2424-1P	21.00	533	22.50	572	19.50	495	21.00	533	14	24.00x24.00	610X610
AW3020-1P	26.00	660	18.50	470	24.50	622	17.00	432	14	30.00x20.00	762X508
AW3024-1P	26.00	660	22.50	572	24.50	622	21.00	533	14	30.00x24.00	762X610
AW3030-1P	26.00	660	28.50	724	24.50	622	27.00	686	14	30.00x30.00	762X762
AW3624-1P	32.00	813	22.50	572	30.50	775	21.00	533	14	36.00x24.00	914X610
AW3630-1P	32.00	813	28.50	724	30.50	775	27.00	686	14	36.00x30.00	914X762
AW4224-1P	38.00	965	22.50	572	36.50	927	21.00	533	14	42.00x24.00	1067X610

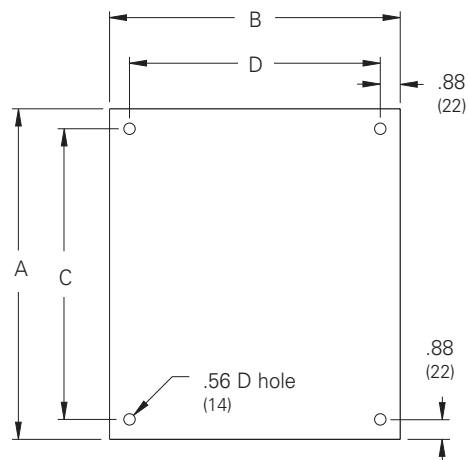
NEMA Flat Panel Catalog Number				A		B		C		D		Gauge	Fits Enclosure Height x Width	
Painted Steel	Galvanized Steel	Stainless	Aluminum	in.	mm	in.	mm	in.	mm	in.	mm		in.	mm
AW1612P	AW1612GP	AW1612SP	AW1612AP	13.00	330	9.00	229	11.25	286	7.25	184	12	16.00x12.00	406x305
AW1616P	AW1616GP	AW1616SP	AW1616AP	13.00	330	13.00	330	11.25	286	11.25	286	12	16.00x16.00	406x406
AW2012P	—	—	—	17.00	432	9.00	229	15.25	387	7.25	184	12	20.00x12.00	508x305
AW2016P	AW2016GP	AW2016SP	AW2016AP	17.00	432	13.00	330	15.25	387	11.25	286	12	20.00*x16.00*	508x406
AW2020P	AW2020GP	AW2020SP	AW2020AP	17.00	432	17.00	432	15.25	387	15.25	387	12	20.00x20.00	508x508
AW2412P	—	AW2412SP	—	21.00	533	9.00	229	19.25	489	7.25	184	12	24.00*x12.00*	610x305
AW2416P	AW2416GP	AW2416SP	AW2416AP	21.00	533	13.00	330	19.25	489	11.25	286	12	24.00x16.00	610x406

* Panel also fits these enclosures when height and width dimensions are reversed.



Type 1 medium enclosure panels can be installed in Type 1 medium panel enclosures. Panels are only available in steel and have a white powder paint finish.

Type 1 Medium Enclosure Panels



NEMA flat panels can be installed in Type 4X, Type 4 and Type 12 NEMA Enclosures. Panels are available in steel, galvanized steel, stainless steel, and aluminum. Painted steel panels have a white powder paint finish. Stainless steel and aluminum panels have a smooth brushed finish on one side and protected with PVC film.

NEMA Flat Panels

Notes: Dimensions are in inches. Millimeters shown are for reference only. Data subject to change without notice.

Panels & Panel Accessories

JIC & Small Enclosure Perforated Panels

Illustration Sheet and Catalog Number

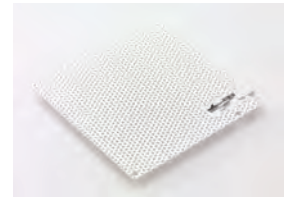
Discount Schedule: C2; A2
Subclass: DSG

JIC Flat Perforated Panel					Fits Enclosure Height x Width		
Catalog Number	A		B		Gauge	Height x Width	
	in.	mm	in.	mm		in.	mm
AW64PP	4.87	124	2.87	73	16	6.00x4.00	152x102
AW66PP	4.87	124	4.87	124	16	6.00x6.00	152x152
AW86PP	6.87	174	4.87	124	16	8.00x6.00	203x152
AW88PP	6.87	174	6.87	174	16	8.00x8.00	203x203
AW108PP	8.87	225	6.87	174	16	10.00x8.00	254x203
AW1010PP	8.87	225	8.87	225	16	10.00x10.00	254x254
AW126PP	10.87	276	4.87	124	16	12.00x6.00	305x152
AW1210PP	10.87	276	8.87	225	16	12.00x10.00	305x254
AW1212PP	10.87	276	10.87	276	16	12.00x12.00	305x305
AW148PP	12.87	327	6.87	174	16	14.00x8.00	356x203
AW1412PP	12.87	327	10.87	276	16	14.00x12.00	356x305
AW1610PP	14.87	378	8.87	225	16	16.00x10.00	406x254
AW1614PP	14.87	378	12.87	327	16	16.00x14.00	406x356

Panels are available in steel and have a white powder paint finish.

Small Enclosure Flat Perforated Panel					Fits Enclosure Height x Width		
Catalog Number	A		B		Gauge	Height x Width	
	in.	mm	in.	mm		in.	mm
N66PP	4.25	108	4.25	108	16	6.00x6.00	152x152
N86PP	6.25	159	4.25	108	16	8.00x6.00	203x152
N88PP	6.25	159	6.25	159	16	8.00x8.00	203x203
N108PP	8.25	210	6.25	159	16	10.00x8.00	254x203
N1010PP	8.25	210	8.25	210	16	10.00x10.00	254x254
N1210PP	10.25	260	8.25	210	16	12.00x10.00	305x254
N1212PP	10.25	260	10.25	260	16	12.00x12.00	305x305
N1412PP	12.25	360	10.25	260	16	14.00x12.00	356x305
N2012PP	18.25	463	10.25	260	16	20.00x12.00	508x305

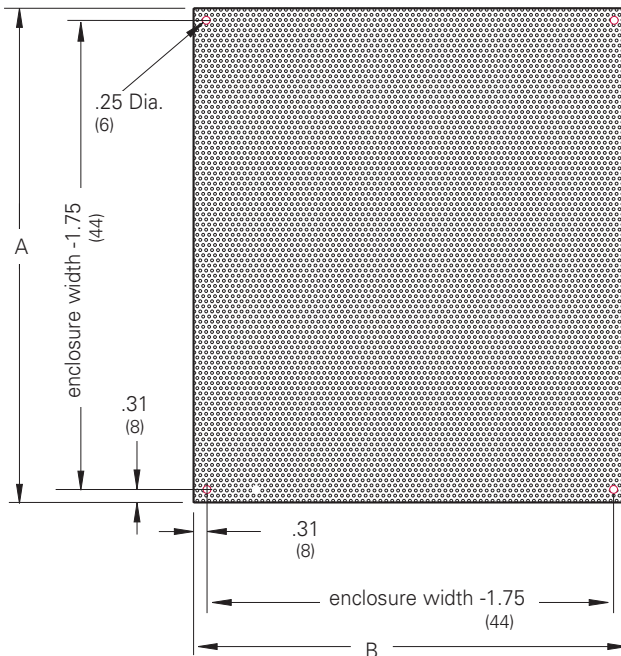
Panels are available in steel and have a white powder paint finish.



Hardware Packages

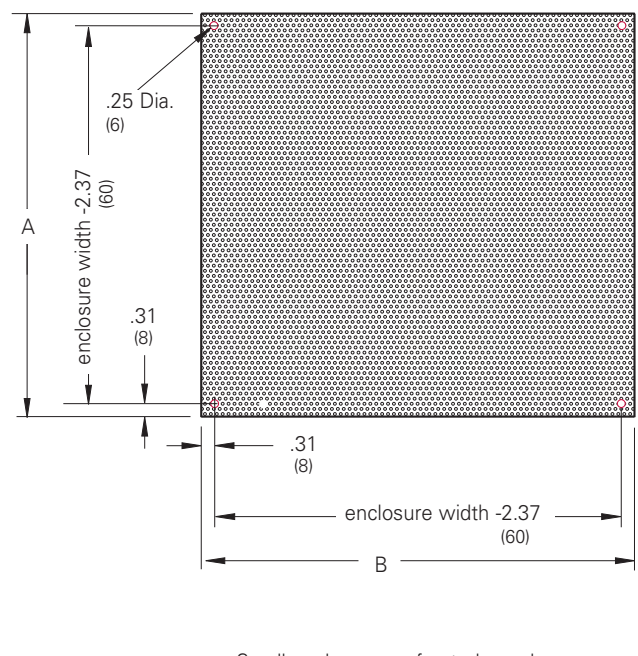
Catalog Number	Description	Typical Use	Quantity
10168	#8-32 x .375 inch selt tap steel screw	NEMA 1 & JIC perforated panels	20

JIC Enclosure Perforated Panels



JIC perforated panels can be installed in all types of JIC Enclosures, and are intended for mounting lightweight components without drilling and tapping.

Small Enclosure Perforated Panels



Small enclosure perforated panels can be installed in small Type 3R RHC, and small Type 1 Enclosures, and are intended for mounting lightweight components without drilling and tapping.

60°

Notes: Dimensions are in inches. Millimeters shown are for reference only. Data subject to change without notice.

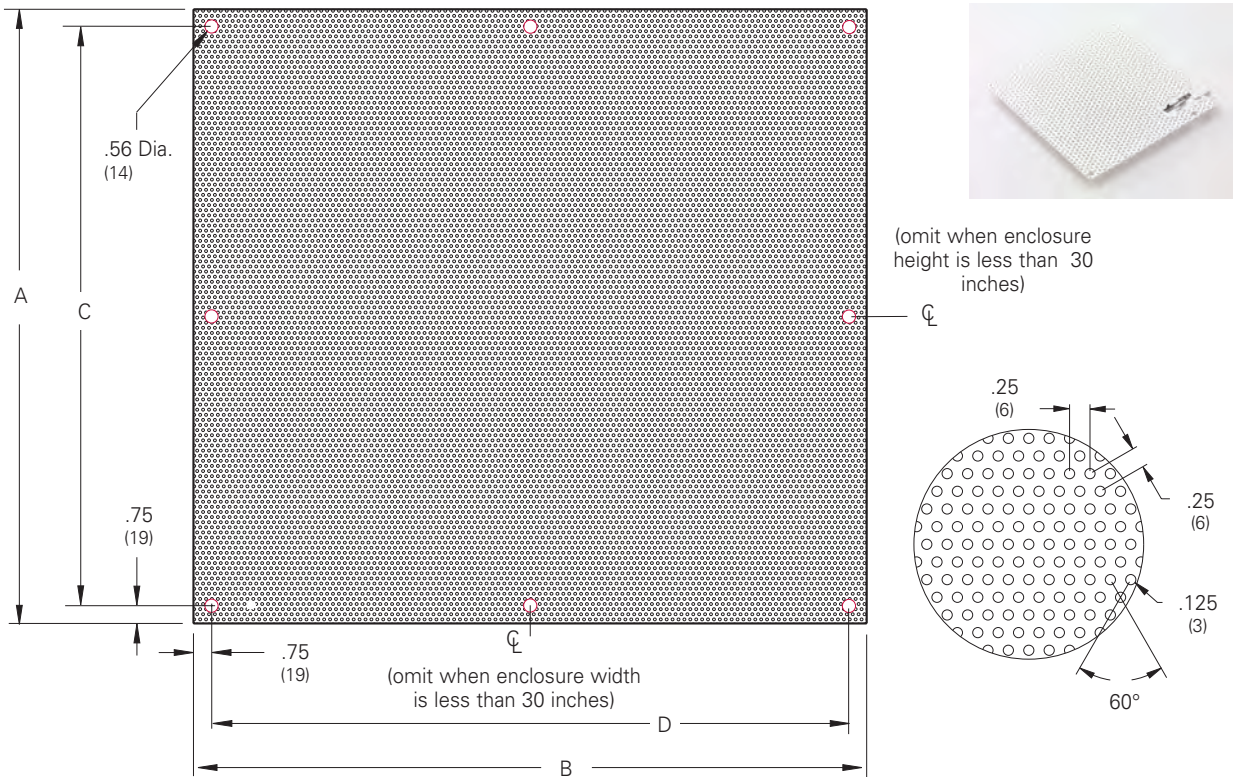
Panels & Panel Accessories
Medium Perforated Panels
 Illustration Sheet and Catalog Number

Discount Schedule: C2
Subclass: DSG

Type 1 Medium Enclosure Flat Perforated Panel Catalog Number	A		B		C		D		Gauge	Fits Enclosure Height x Width	
	in.	mm	in.	mm	in.	mm	in.	mm		in.	mm
	AW1612-1PP	13.00	330	10.50	267	11.50	292	9.00		228	16
AW1616-1PP	13.00	330	14.50	368	11.50	292	13.00	330	16	16.00x16.00	406X406
AW1620-1PP	13.00	330	18.50	470	11.50	292	17.00	432	16	16.00x20.00	406X508
AW2016-1PP	17.00	432	14.50	368	15.50	394	13.00	330	16	20.00x16.00	508X406
AW2020-1PP	17.00	432	18.50	470	15.50	394	17.00	432	16	20.00x20.00	508X508
AW2024-1PP	17.00	432	22.50	572	15.50	394	21.00	533	16	20.00x24.00	508X610
AW2416-1PP	21.00	533	14.50	368	19.50	495	13.00	330	16	24.00x16.00	610X406
AW2420-1PP	21.00	533	18.50	470	19.50	495	17.00	432	16	24.00x20.00	610X508
AW2424-1PP	21.00	533	22.50	572	19.50	495	21.00	533	16	24.00x24.00	610X610
AW3020-1PP	26.00	660	18.50	470	24.50	622	17.00	432	16	30.00x20.00	762X508
AW3024-1PP	26.00	660	22.50	572	24.50	622	21.00	533	16	30.00x24.00	762X610
AW3030-1PP	26.00	660	28.50	724	24.50	622	27.00	686	16	30.00x30.00	762X762
AW3624-1PP	32.00	813	22.50	572	30.50	775	21.00	533	16	36.00x24.00	914X610
AW3630-1PP	32.00	813	28.50	724	30.50	775	27.00	686	16	36.00x30.00	914X762
AW4224-1PP	38.00	965	22.50	572	36.50	927	21.00	533	16	42.00x24.00	1067X610

Hardware Packages

Catalog Number	Description	Typical Use	Quantity
10168	#8-32 x .375 inch self tap steel screw	NEMA 1 & JIC perforated panels	20



Type 1 medium enclosure perforated panels can be installed in Type 1 Medium Panel Enclosures. Panels are available in steel and have a white powder paint finish.

Type 1 Medium Enclosure Perforated Panels

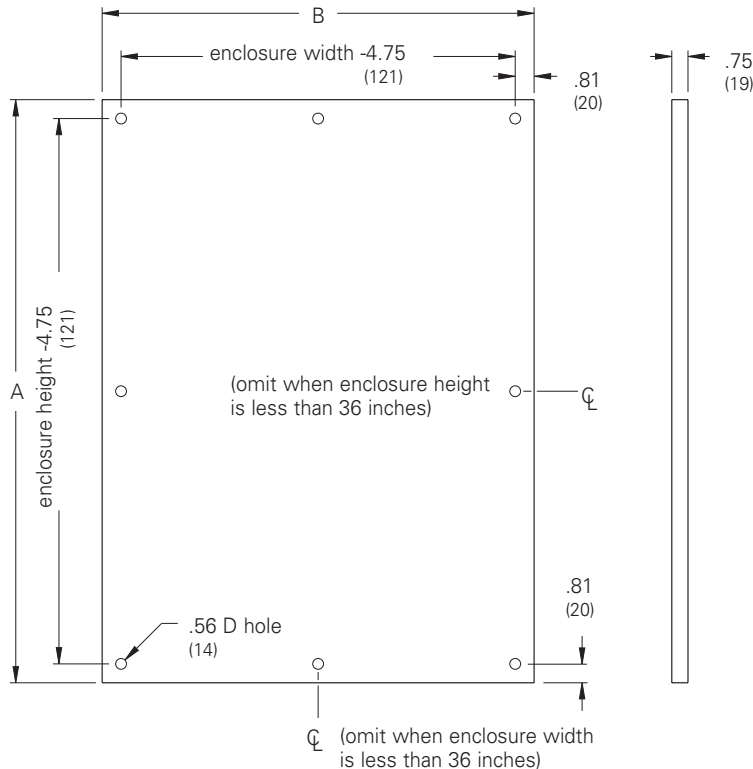
Notes: Dimensions are in inches. Millimeters shown are for reference only. Data subject to change without notice.

Panels & Panel Accessories
NEMA Flanged Panels
 Illustration Sheet and Catalog Number

Discount Schedule: C2
Subclass: DSB

NEMA Flanged Panel Catalog Number				A		B		Gauge	Fits Enclosure Height x Width	
Painted Steel	Galvanized Steel	Stainless	Aluminum	in.	mm	in.	mm		in.	mm
AW2420P	AW2420GP	AW2420SP	AW2420AP	20.87	530	16.87	428	12	24.00*x20.00*	610x508
AW2424P	AW2424GP	AW2424SP	AW2424AP	20.87	530	20.87	530	12	24.00x24.00	610x610
AW3016P	AW3016GP	AW3016SP	AW3016AP	26.87	682	12.87	327	12	30.00x16.00	762x406
AW3020P	AW3020GP	AW3020SP	AW3020AP	26.87	682	16.87	428	12	30.00x20.00	762x508
AW3024P	AW3024GP	AW3024SP	AW3024AP	26.87	682	20.87	530	12	30.00*x24.00*	762x610
AW3030P	AW3030GP	AW3030SP	AW3030AP	26.87	682	26.87	682	12	30.00x30.00	762x762
AW3624P	AW3624GP	AW3624SP	AW3624AP	32.87	835	20.87	530	12	36.00x24.00	914x610
AW3630P	AW3630GP	AW3630SP	AW3630AP	32.87	835	26.87	682	12	36.00*x30.00*	914x762
AW3636P	—	AW3636SP	—	32.87	835	32.87	835	12	36.00x36.00	914x914
AW4224P	—	—	—	38.87	987	20.87	530	12	42.00*x24.00*	1067x610
AW4230P	AW4230GP	AW4230SP	AW4230AP	38.87	987	26.87	682	12	42.00*x30.00*	1067x762
AW4236P	AW4236GP	AW4236SP	AW4236AP	38.87	987	32.87	835	12	42.00x36.00	1067x914
AW4242P	—	—	—	38.87	987	38.87	987	12	42.00x42.00	1067x1067
AW4824P	—	—	—	44.87	1140	20.87	530	12	48.00*x24.00*	1219x610
AW4830P	AW4830GP	AW4830SP	—	44.87	1140	26.87	682	12	48.00*x30.00*	1219x762
AW4836P	AW4836GP	AW4836SP	AW4836AP	44.87	1140	32.87	835	12	48.00*x36.00*	1219x914
AW4842P	AW4842GP	AW4842SP	AW4842AP	44.87	1140	38.87	987	12	48.00*x42.00*	1219x1067
AW4848P	—	—	—	44.87	1140	44.87	1140	12	48.00x48.00	1219x1219
AW6030P	—	—	—	56.87	1444	26.87	682	12	60.00*x30.00*	1524x762
AW6036P	AW6036GP	AW6036SP	AW6036AP	56.87	1444	32.87	835	12	60.00*x36.00*	1524x914
AW7230P	—	—	—	68.87	1749	26.87	682	12	72.00x30.00	1829x762
AW7236P	—	—	—	68.87	1749	32.87	835	12	72.00x36.00	1829x914

* Panel also fits these enclosures when height and width dimensions are reversed.



NEMA Flanged Panels can be installed in consoles, Type 4X, Type 4, and Type 12 NEMA Enclosures. Panels are available in steel, galvanized steel, stainless steel and aluminum. Painted steel panels have a white powder paint finish. Stainless steel and aluminum panels have a smooth brushed finish on one side and protected with PVC film.

Accessories

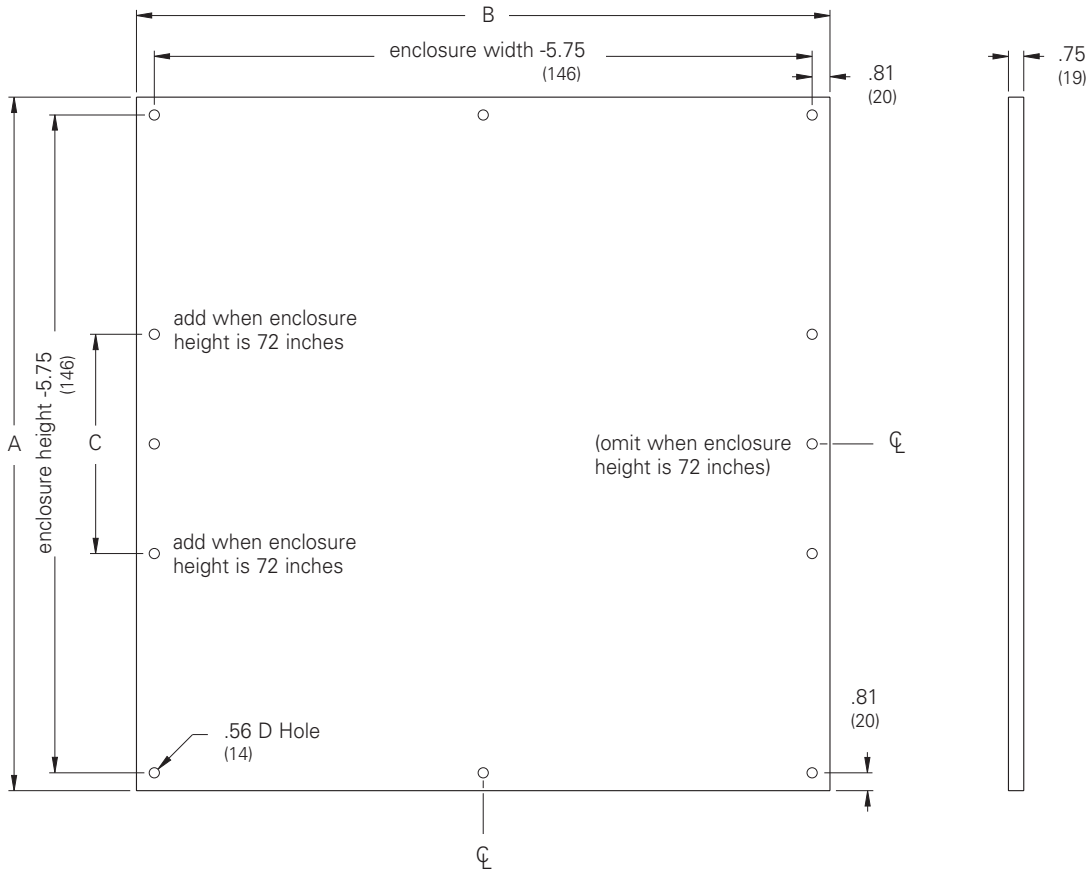
Notes: Dimensions are in inches. Millimeters shown are for reference only. Data subject to change without notice.

Panels & Panel Accessories
Large NEMA Flanged Panels
 Illustration Sheet and Catalog Number

Discount Schedule: C2
Subclass: DSC

Panel Catalog Number			A		B		C		Gauge	Fits Enclosure*	
Steel	Stainless	Aluminum	in.	mm	in.	mm	in.	mm		Height in.	x Width mm
AW5442P	—	—	49.87	1267	37.87	962	—	—	10	54.00x42.00	1372X1067
AW6042P	—	—	—	—	56.87	1444	38.87	987	12	60.00*x42.00*	1524x1067
AW6048P	AW6048SP	AW6048AP	55.87	1419	43.87	1114	—	—	10	60.00x48.00	1524X1219
AW6060P	AW6060SP	AW6060AP	55.87	1419	55.87	1419	—	—	10	60.00x60.00	1524X1524
AW7260P	AW7260SP	AW7260AP	67.87	1724	55.87	1419	22.06	560	10	72.00x60.00	1829X1524
AW7272P	AW7272SP	AW7272AP	67.87	1724	67.87	1724	22.06	560	10	72.00x72.00	1829X1829

*Panel also fits Type 4X and Type 4 where the height is 2.00 inches more than shown in the table



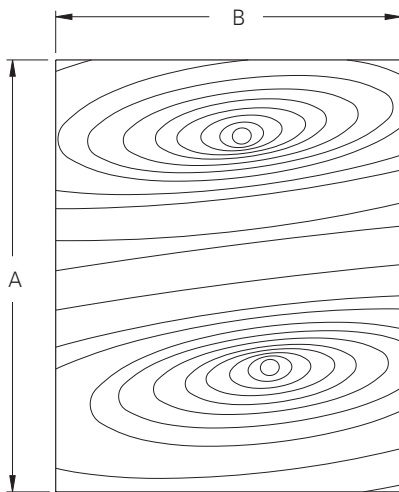
Large Flanged Panels can be installed in Floor Standing Type 4X, Type 4 and Type 12 Enclosures. Handle Kits are furnished with each panel. Steel panels have a white powder paint finish. Stainless steel and aluminum panels have a smooth brushed finish on one side and protected with PVC film.

Notes: Dimensions are in inches. Millimeters shown are for reference only. Data subject to change without notice.

Panels & Panel Accessories
Wood Back Panels
 Illustration Sheet and Catalog Number

Discount Schedule: A2
Subclass: A00

Wood Back Board Catalog Number	A		B		Fits Enclosure Height x Width	
	in.	mm	in.	mm	in.	mm
88 WB	5.00	127	5.00	127	8.00x8.00	203x203
1010 WB	7.00	178	7.00	178	10.00x10.00	254x254
128 WB	9.00	229	5.00	127	12.00x8.00	350x203
1210 WB	9.00	229	7.00	178	12.00x10.00	305x254
1212 WB	9.00	229	9.00	229	12.00x12.00	305x305
1612 WB	13.00	330	9.00	229	16.00x12.00	406x305
1812 WB	15.00	381	9.00	229	18.00x12.00	457x305
1815 WB	15.00	381	12.00	305	18.00x15.00	457x381
1818 WB	15.00	381	15.00	381	18.00x18.00	457x457
2412 WB	21.00	533	9.00	229	24.00x12.00	610x305
2418 WB	21.00	533	15.00	381	24.00x18.00	610x457
2424 WB	21.00	533	21.00	533	24.00x24.00	610x610
3015 WB	27.00	686	12.00	305	30.00x15.00	762x381
3018 WB	27.00	686	15.00	381	30.00x18.00	762x457
3024 WB	27.00	686	21.00	533	30.00x24.00	762x610
3030 WB	27.00	686	27.00	686	30.00x30.00	762x762
3624 WB	33.00	838	21.00	533	36.00x24.00	914x610
3630 WB	33.00	838	27.00	686	36.00x30.00	914x762
3636 WB	33.00	838	33.00	838	36.00x36.00	914x914
4824 WB	45.00	1143	21.00	533	48.00x24.00	1219x610
4836 WB	45.00	1143	33.00	838	48.00x36.00	1219x914
4848 WB	45.00	1143	45.00	1143	48.00x48.00	1219x1219



.75
(19)



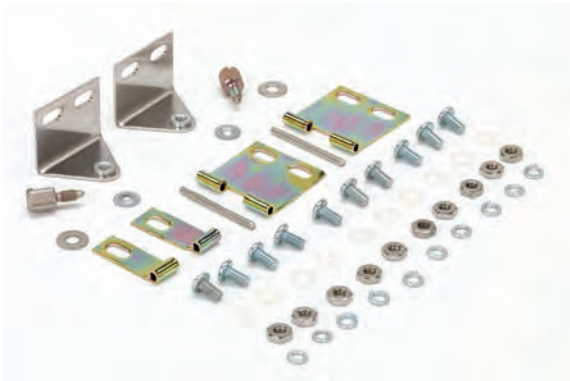
Wood back boards are intended for Type 1 and Type 3R Telephone Termination Cabinets. However, they may be installed in any enclosure that will accommodate the board size. Standard boards are cut from shop grade type CDX plywood with one side finished smooth. Boards normally are not treated or painted. Consult the factory for special cuts, holes, finishes or wood treating.

Notes: Dimensions are in inches. Millimeters shown are for reference only. Data subject to change without notice.

Panels & Panel Accessories

JIC Swing Panels

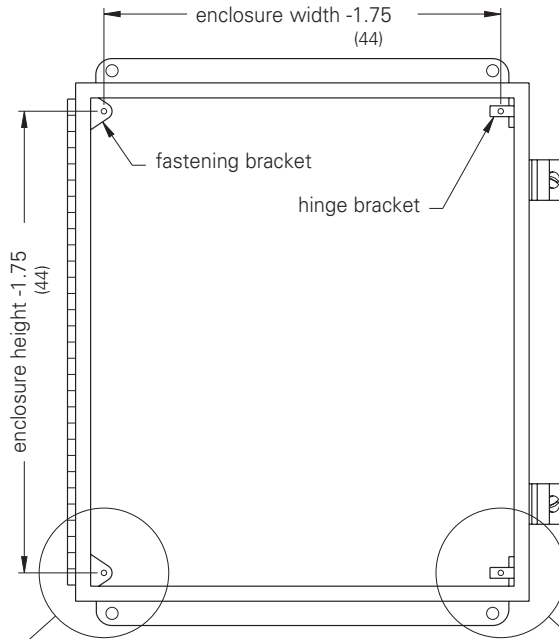
Illustration Sheet and Catalog Number



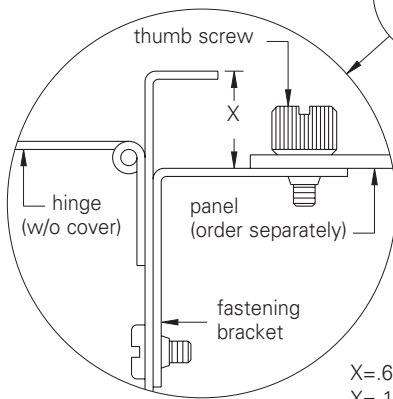
Catalog Number	Description
JICSPK	For use with JIC Enclosures that are 8.00 (203 mm) x 6.00 (152 mm) inches or larger. The distributed weight of panel and equipment should not exceed 25 pounds.

This kit offers a means for mounting user's components and equipment near the front of an enclosure opening for easy access. The JIC Swing Panel Kit includes two hinge brackets, two fastening brackets, knurled thumb screws, retaining hardware and instructions for installing standard panels. Panels must be ordered separately.

Discount Schedule: C2
Subclass: DSO

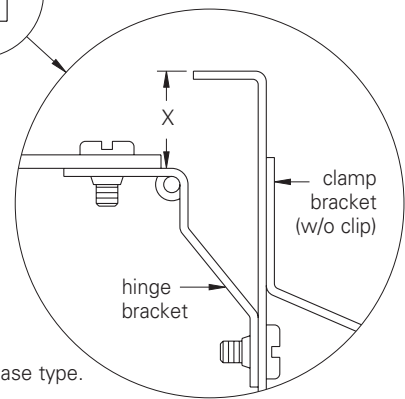


Front View
(without cover)



Panel Fastening Detail

X = .62 (16) Min. for all JIC Enclosures Except Quick Release type.
 X = 1.37 (35) min. for JIC Quick-Release type.



Panel Hinge Detail

Notes: Dimensions are in inches. Millimeters shown are for reference only. Data subject to change without notice.

Panels & Panel Accessories

NEMA Swing Panels

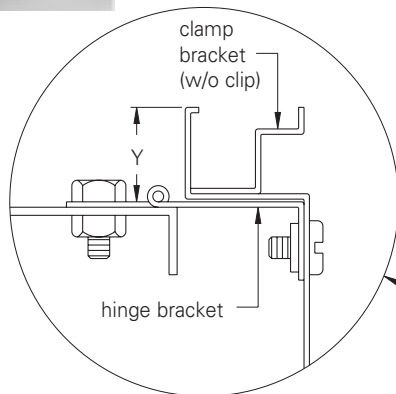
Illustration Sheet and Catalog Number



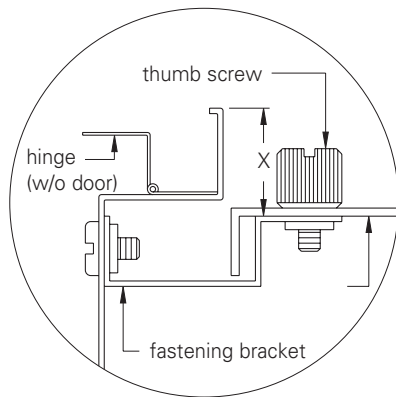
Catalog Number	Description
NSPK	For use with Type 4, Type 4X, and Type 12 Single Door Enclosures 16.00 (406 mm) x 12.00 (305 mm) and larger, provided the distributed weight of panel and equipment does not exceed 100 pounds. Also used on the Larger Type 12 CHSC and Larger Type 3R RHC Enclosure.

This kit offers a means for mounting user components and equipment near the front of an enclosure opening for easy access. The NEMA Swing Panel Kit includes two hinge brackets, two fastening brackets, knurled thumb screws, retaining hardware, bracket mounting hardware and instructions for installing standard panels. Panels must be ordered separately.

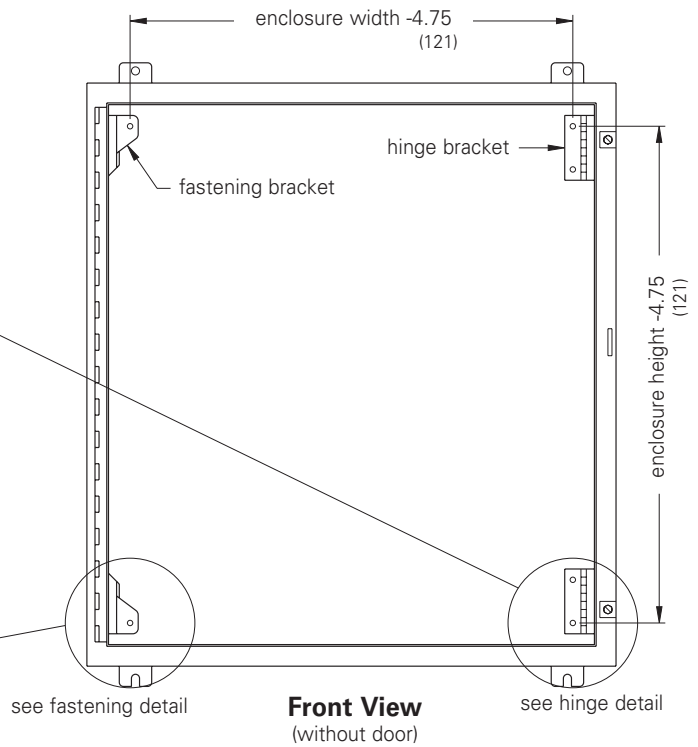
Discount Schedule: C2
Subclass: DS0



Panel Hinge Detail



Panel Fastening Detail



Front View
(without door)

- X= 1.37 (35) min. Type 4, Type 4X, & Type 12 Single door, and Large Type 3R RHC Enclosures
- Y= 1.25 (32) min. Type 4, Type 4X, & Type 12 Single door, and Large Type 3R RHC Enclosures
- X= 1.00 (25) min. Large Type 12 CHSC Enclosures
- Y= .87 (22) min. Large Type 12 CHSC Enclosures

Notes: Large Type 12 CHSC Enclosures have back panels installed. Dimensions are in inches. Millimeters shown are for reference only. Data subject to change without notice.

Panels & Panel Accessories

Illustration Sheet and Catalog Number

Discount Schedule: C2
Subclass: DS0

Panel Supports



Panel Support Kits

Catalog Number	Description
PS3	For use on Single Door and Double-Door Floor-Standing Enclosure Panels
PS9	For use on Free-Standing and Multi-Door Free-Standing Enclosure Panels

Designed to provide additional support to panels which are burdened with heavy equipment. Supports fit over the bottom corner collar Studs. Each support bracket can be adjusted so that the load can be shared between the support and the stud. A "jam" nut maintains the adjustment. At the base of the support bracket is a nylon shoe to prevent damage to the interior finish. Two support brackets assemblies are furnished with each kit.

Lifting Hooks



Panel Lifting Hooks

Catalog Number	Description
PLH	Panel lifting hooks

Two (2) Panel lifting hooks are used for picking up and moving large panels. The hooks are designed to be used on back panels while laying flat.

Notes: Dimensions are in inches. Millimeters shown are for reference only. Data subject to change without notice.

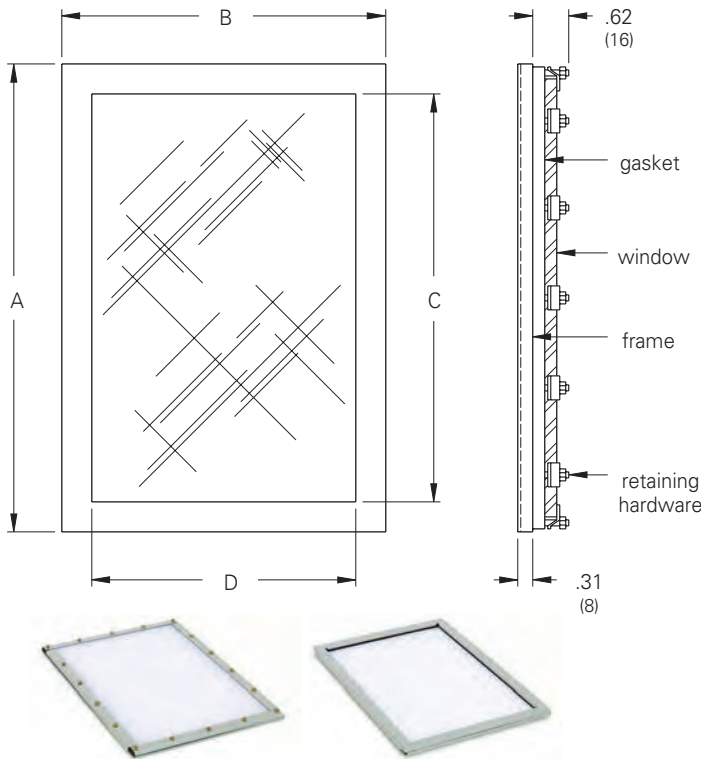
Window Kits

Fixed Window

Illustration Sheet and Catalog Number

Discount Schedule: C2
Subclass: DS0

Framed Window Kits		Frame Detail				Window Detail				Enclosure	
Catalog Number		A		B		C		D		Cut-Out	
Steel	Stainless	in.	mm	in.	mm	in.	mm	in.	mm	in.	mm
PWK53	PWK53SS	7.50	191	5.50	140	5.00	127	3.00	76	6.62x4.62	168x117
PWK95	PWK95SS	11.50	292	8.00	203	9.00	229	5.50	140	10.62x7.12	270x181
PWK133	PWK133SS	15.50	394	5.50	140	13.00	330	3.00	76	14.62x4.62	371x117
PWK138	PWK138SS	15.50	394	10.50	267	13.00	330	8.00	203	14.62x9.62	371x244
PWK175	PWK175SS	19.50	495	8.00	203	17.00	432	5.50	140	18.62x7.12	473x181
PWK1711	PWK1711SS	19.50	495	13.50	343	17.00	432	11.00	279	18.62x12.62	473x321
PWK2315	PWK2315SS	25.50	648	17.50	445	23.00	584	15.00	381	24.62x16.62	625x422
PWK2919	PWK2919SS	31.50	800	21.50	546	29.00	737	19.00	483	30.62x20.62	778x524
PWK3523	PWK3523SS	37.50	953	25.50	648	35.00	889	23.00	584	36.62x24.62	930x625



Steel Framed Window Kits are designed for use with Type 4 and Type 12 Enclosures. Stainless Steel Framed Window Kits are for use with Type 4X Enclosures, however, they can also be used on Type 4 and Type 12, if additional corrosion protection is needed. Steel kits are constructed from heavy gauge and have an ANSI 61 gray polyester powder finish. Stainless steel kits are constructed from Type 304 stainless and have a brushed finish. Each kit includes a .25 inch (6 mm) thick polycarbonate window and gasket to ensure a tight, oil and water-resistant seal around the enclosure cut-out. Hardware and instructions for field installation are also furnished. UL Listed.



Accessories



Frameless Window Kits

Catalog Number	Window Size		Enclosure cut-out (max)	
	in.	mm	in.	mm
FLWK52	6.00 x 3.00	152 x 76	5.00 x 2.00	127 x 51
FLWK96	10.00 x 7.00	254 x 178	9.00 x 6.00	229 x 152
FLWK133	14.00 x 4.00	356 x 102	13.00 x 3.00	330 x 76

Frameless Window Kits are intended for use with Type 1 and Type 12 Enclosures. Each kit includes a roll of .50 inch (13 mm) wide double-sided adhesive tape and a .12 inch (3 mm) thick polycarbonate window. Instructions for mounting and hardware are also furnished. UL listed.

Notes: Dimensions are in inches. Millimeters shown are for reference only. Data subject to change without notice.

Window & Door Kit Accessories

Illustration Sheet and Catalog Number

Discount Schedule: C2
Subclass: DSO

Hinged Windows



Front Side



Back Side

Catalog Number	Frame Detail				Window Detail				Enclosure	
	Height		Width		Height		Width		Cut-Out	
	in.	mm	in.	mm	in.	mm	in.	mm	in.	mm
HWK1212	12.50	318	12.50	318	10.12	257	10.12	257	11.87x11.87	301x301
HWK1612	16.50	419	12.50	318	14.12	359	10.12	257	15.87x11.87	403x301
HWK2016	20.50	521	16.50	419	18.12	460	14.12	359	19.87x15.87	505x403
HWK2020	20.50	521	20.50	521	18.12	460	18.12	460	19.87x19.87	505x505
HWK2420	24.50	622	20.50	521	22.12	562	18.12	460	23.87x19.87	606x505
HWK3024	30.50	775	24.50	622	28.12	714	22.12	562	29.87x23.87	759x606

Provides a clear view to components mounted inside an enclosure. The window is made of .21-inch thick polycarbonate. All mounting hardware is provided for easy installation. Gasketing along all edges maintains the Type 12 rating. Finished in ANSI 61 gray polyester powder. UL Listed.

Door Stops

Door Stop Kit

Catalog Number	Description
DSTOPK	Door stop kit

Door Stop Kits are intended for most Type 4, Type 4X, and Type 12 Single Door Wall-Mount Enclosures that have a minimum width of 16 inches. The kit is designed to mount at the top or bottom of the door opening. When properly installed the door can be held open approximately 135°. Tools are not necessary to affix or release the stop. When not in use the assembly folds and locks neatly away. Each kit contains detailed mounting instructions and all the necessary hardware for field assembly.



Accessories

Print Pockets



Print Pockets

Catalog Number	Length x Width	
	in.	mm
32170	6"x 6"	152x152
32171	10"x10"	254x254
32172	9"x12"	229x305

Print pockets provide a convenient place to store operation manuals, diagrams, or other documents inside the enclosure. Thermoplastic pockets are gray and have cut away areas for viewing contents. Pockets have adhesive backing for mounting inside on enclosure door.

Notes: Dimensions are in inches. Millimeters shown are for reference only. Data subject to change without notice.

Locks, Latches, Inserts, & Handles

Flush Locks

Illustration Sheet and Catalog Number

Discount Schedule: C2

Subclass: D50

Type 1 Panel Enclosure Flush Lock

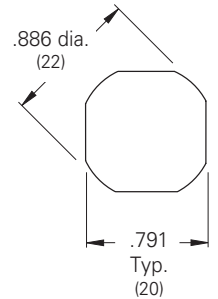


Type 1 Enclosure Flush Lock

Catalog Number	Description
T1EFL	New Flush lock

Flush Locks are used as a keyed locking mechanism for Type 1 small, medium and large Panel Enclosures. Mechanisms are steel with a plated finish.

Hole Pattern Detail



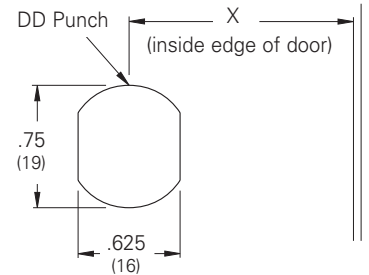
Type 4 & Type 12 JIC Enclosure Flush Lock



JIC 4 & 12 Flush Lock

Catalog Number	Description
25352 A	JIC 4 & 12 flush lock

Flush Locks are intended for 1-pt field modifications to most Type 4 and 12 JIC Enclosures as well as the Large Type 12 CHSC Enclosures. Included is detail instructions for the door hole size and location (see detail at right). The lock is steel with a bright plated finish.



Hole Pattern Detail

X = 1.18 (30) JIC Enclosure
X = 1.68 (43) Large Type 12 CHSC Enclosure

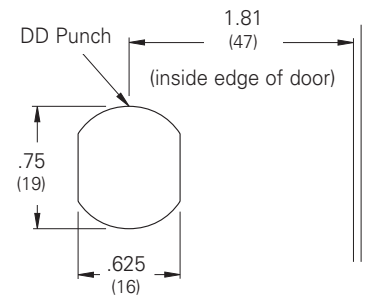
Type 4 & 12 NEMA Enclosure Flush Locks



NEMA 4 & 12 Flush Lock

Catalog Number	Description
25351 A	NEMA 4 & 12 flush lock

Flush lock is intended for 1-pt field modification to most Type 4 and Type 12 Single Door Wall-Mount Enclosures. Included is detail instructions for the door hole size and location (see detail at right). The lock is steel with a bright plated finish.



Hole Pattern Detail

Notes: Dimensions are in inches. Millimeters shown are for reference only. Data subject to change without notice.

Locks, Latches, Inserts, & Handles Inserts

Illustration Sheet and Catalog Number

Discount Schedule: C2

Type 1 Panel Enclosure Security Inserts



7MT1TLK

7MT1SLK



3MT1DBLK

Type 1 Enclosure Security Latch Inserts

Catalog Number	Description
7MT1TLK	7mm triangular latch insert
7MT1SLK	7mm square latch insert
3MT1DBLK	3mm double bit latch insert

Security latch inserts interchange with slotted quarter-turn flush latch and provide security and control access to interior of enclosure. Inserts include matching key.

Type 4 Premier Enclosure Security Inserts



7MTLK



7MSLK



3MDBLK

Type 4 Premier Enclosure Security Latch Inserts

Catalog Number	Description
7MTLK	7mm triangular latch insert
7MSLK	7mm square latch insert
3MDBLK	3mm double bit latch insert

Security latch inserts interchange with slotted quarter-turn flush latch and provide security and control access to interior of enclosure. Inserts include matching key.

Notes: Dimensions are in inches. Millimeters shown are for reference only. Data subject to change without notice.

Locks, Latches, Inserts, & Handles

Latches & Locks

Illustration Sheet and Catalog Number

Discount Schedule: C2
Subclass: DS0, 0A0 *

Type 4 & Type 12 Security Latch Kits



25270A



25278 A



25277A



25289A



25288A

Latch Kits for Type 4 & 12 Enclosures

Catalog Number	Description
25270 A	Slotted flush latch
25278 A	Triangle flush latch key
25277 A *	Triangle flush latch
25289 A *	Square flush latch key
25288 A	Square flush latch

A = Chrome Plate

Intended to be used on Type 4 and Type 12/13 enclosures which utilize external screw clamps. Latches require a hole punched or drilled in the door for installation. Once installed, an internal O-ring and external gasket maintain a dust-tight and water-tight seal. The tamper resistant latches require specific keys to gain access.

Type 1 Single-Door Telephone Cabinet Tumbler Locks



25092A



25092B

Type 1 Tel Cab Mechanism

Catalog Number	Description
25092 A	For right hand hinged single door cabinet
25092 B	For left hand hinged single door cabinet

Tumbler Locks are used as replacement mechanisms for Type 1 Single-Door Telephone Termination Cabinets. The low profile mechanism is excellent for surface and flush cabinet cover mounting.

Notes: Dimensions are in inches. Millimeters shown are for reference only. Data subject to change without notice.

Locks, Latches, Inserts, & Handles

Locks & Latches

Illustration Sheet and Catalog Number

Discount Schedule: C2

Subclass: DSO

Type 1 & Type 12 Quarter-Turn Enclosure Locks



T1KLBM & T12KLB

Type 1 & Type 12

Catalog Number	Description	Used With
T1KLBM	Type 1 - Small Locking - Black/Stainless Steel	JIC
T12KLB	Type 12 - Large Locking - Black/Stainless Steel	Ground Mount

Type 4 Quarter-Turn Enclosure Locks & Latches for JIC & Ground Mount



T4DLBM & T4DLB

Type 4

Catalog Number	Description	Used With
T4DLBM	Type 4 - Small Slotted Latch - Black Finish	JIC
T4DLB	Type 4 - Large Slotted Latch - Black Finish	Ground Mount



T4WNBM & T4WNB

Type 4

Catalog Number	Description	Used With
T4WNBM	Type 4 - Small Wing Knob - Black Finish	JIC
T4WNB	Type 4 - Large Wing Knob - Black Finish	Ground Mount



T4KLWNBM

Type 4

Catalog Number	Description	Used With
T4KLWNBM	Type 4 - Small Keylocking Wing Knob - Black Finish	JIC



T4KLWNB

Type 4

Catalog Number	Description	Used With
T4KLWNB	Type 4 - Large Keylocking Wing Knob - Black Finish	Ground Mount



T4PLWNB

Type 4

Catalog Number	Description	Used With
T4PLWNB	Type 4 - Large Padlockable Wing Knob - Black Finish	Ground Mount

Notes: Dimensions are in inches. Millimeters shown are for reference only. Data subject to change without notice.

Locks, Latches, Inserts, & Handles
Locks, Latches, & Inserts
 Illustration Sheet and Catalog Number

Discount Schedule: C2
Subclass: DSO

Type 4 Quarter-Turn Enclosure Locks, Latches, & Inserts



T4THB

Type 4		
Catalog Number	Description	Used With
T4THB	Type 4 - Large T-Handle Non-Locking - Black Finish	Ground Mount



T4KLTHB

Type 4		
Catalog Number	Description	Used With
T4KLTHB	Type 4 - Large T-Handle Key-Locking - Black Finish	Ground Mount



7MT4TLKB & 6.5MT4TLKBM

Type 4		
Catalog Number	Description	Used With
7MT4TLKB	Type 4 - Large Security Insert (7mm Triangle) - Black Finish	Ground Mount
6.5MT4TLKBM	Type 4 - Small Security Insert (6.5mm Triangle) - Black Finish	JIC



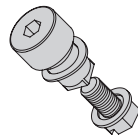
7MT4SLKB & 6MT4SLKBM

Type 4		
Catalog Number	Description	Used With
7MT4SLKB	Type 4 - Large Security Insert (7mm Square) - Black Finish	Ground Mount
6MT4SLKBM	Type 4 - Small Security Insert (6mm Square) - Black Finish	JIC



3MT4DBLKB

Type 4		
Catalog Number	Description	Used With
3MT4DBLKB	Type 4 - Large Security Insert (3mm Double Bit) - Black Finish	Ground Mount



4MT4HXLKBM

Type 4		
Catalog Number	Description	Used With
4MT4HXLKBM	Type 4 - Small Security Insert (4mm Socket Hex) - Black Finish	JIC

Type 4X Quarter-Turn Enclosure Latch



T4XDLSSM & T4XLDLSS

Type 4X		
Catalog Number	Description	Used With
T4XDLSSM	Type 4X - Small Slotted Latch - Stainless Steel	JIC
T4XLDLSS	Type 4X - Large Slotted Latch - Stainless Steel	Ground Mount

Notes: Dimensions are in inches. Millimeters shown are for reference only. Data subject to change without notice.

**Locks, Latches, Inserts, & Handles
T-Handles**

Illustration Sheet and Catalog Number

Type 3R Double-Door Enclosure Padlock Handle



Type 3R Padlock Handle

Catalog Number	Description
25350 A	Type 3R padlock handle

Type 3R Padlock Handle is intended to be used as a replacement mechanism for Type 3R Double-Door Enclosures. It is designed to fit existing 3-pt locking rod and cam assembly. The handle is steel with a bright plated finish.

Discount Schedule: C2

Subclass: DS0

Type 1 & 3R Double-Door Telephone Cabinet T-Handle Lock



Type 1 & 3R T-Handle Lock

Catalog Number	Description
25421 A	T-handle lock

T-Handle Lock is intended to be used as a replacement mechanism for Type 1 Double Door Telephone Termination Cabinets, Type 3R Telephone Termination Cabinets. The handle is designed to fit doors that hinge on either the left or right side. Cam and adjustable hardware can be rotated accordingly. The lock is steel with a bright plated finish.

Discount Schedule: C2

Subclass: AS0

Notes: Dimensions are in inches. Millimeters shown are for reference only. Data subject to change without notice.

Locks, Latches, Inserts, & Handles

Inserts

Illustration Sheet and Catalog Number

Type 4 & 12 Premier Enclosure Handle Inserts

Wall-Mount Handles

Padlocking, key-locking or non-locking handles are interchangeable with standard slotted quarter-turn flush latch on Premier series enclosures. Available keyed alike or keyed different, please specify when ordering.

Discount Schedule: C2

Subclass: TD0

Catalog Number	Description	Latch Type
WMHNL	Wall-mount handle, non-locking	Single point
WMHK-01	Wall-mount handle, key-locking - keyed 01	Single point
WMHK-02	Wall-mount handle, key-locking - keyed 02	Single point
WMHK-03	Wall-mount handle, key-locking - keyed 03	Single point
WMHK-04	Wall-mount handle, key-locking - keyed 04	Single point
WMHPTO	Wall-mount handle, padlockable	Single point
SD-KHB	Black die cast zinc, key-locking handle	3-point



WMHNL
non-locking



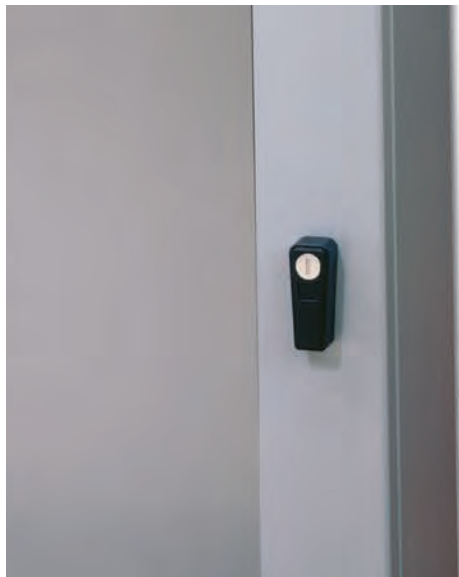
WMHK-01 thru WMHK-04
key-lockable



WMHPTO
padlockable



SD-KHB
key-lockable



Notes: Dimensions are in inches. Millimeters shown are for reference only. Data subject to change without notice.

Locks, Latches, Inserts, & Handles Handles

Illustration Sheet and Catalog Number

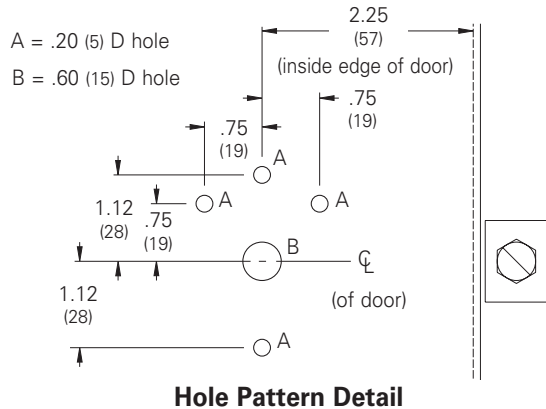
Type 12 NEMA Single-Door Enclosure Padlock Handle Kits



Catalog Number	Description
25345 A	NEMA 12 - 1 pt padlocking

See hole pattern detail for field mounting the handle assembly. The handle is steel with a bright plated finish.

Discount Schedule: C2 Subclass: DS0



Type 12 NEMA Single-Door Enclosure Padlock Handle Kits

Accessories



Catalog Number	Description
25345 A**	NEMA 12 - 3 pt padlocking

** Specify enclosure height after the catalog number, (20, 24, 30, 36, 42, 48, 60, 72). Example: 25345 A48 for 48 inch height.

NEMA 12 Padlock Handle Kits are intended for 3-pt field modification to most Type 12 Single Door Wall-Mount Enclosures with a standard height from 20 inches (508 mm) to 72 inches (1829 mm). The handle is heavy-duty and will rotate in both the counter-clockwise and clockwise directions. Below handle center is a padlock provision with holes large enough to accommodate up to a .43 inch (11 mm) shaft. Kits include a handle, cam, rods, spacer, rollers, adjustable rod guides and all the hardware necessary for assembly. Adjustable rod guides have multiple settings for desired gasket compression. Detailed instructions are also furnished which include a door hole pattern for field mounting the handle assembly (see detail 2 on this page). The handle is steel with a bright plated finish.

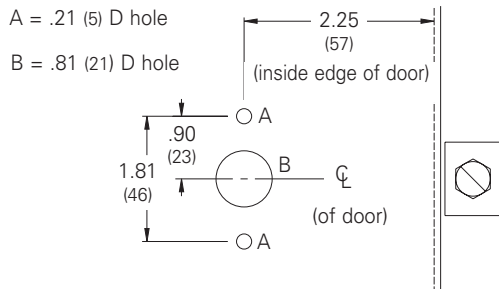
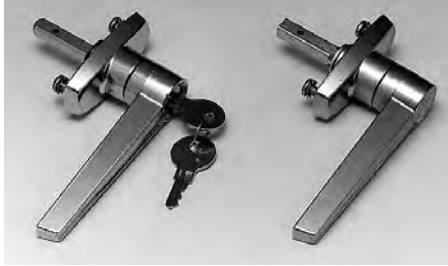
Discount Schedule: C2 Subclass: DS0

Notes: Dimensions are in inches. Millimeters shown are for reference only. Data subject to change without notice.

Locks, Latches, Inserts, & Handles Handles

Illustration Sheet and Catalog Number

Type 12 Console Handle Kits



Hole Pattern Detail

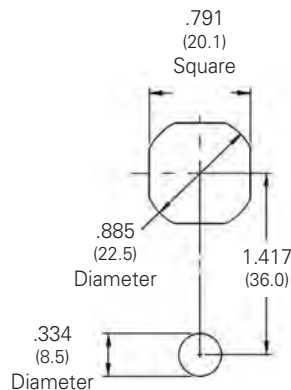
Catalog Number	Description
25228 A	Type 12 handle CCW lock
25228 B	Type 12 handle CCW latch
25228 C	Type 12 handle CW lock
25228 D	Type 12 handle CW latch

Type 12 Door Handles can be used as a replacement lock or latch for Type 12 Consoles. These enclosures use a clockwise (CW) handle rotation, counter-clockwise (CCW) lock and latch are available. Handles are steel with a bright plated finish.

See hole pattern detail for field mounting the handle assembly. Handles are steel with a bright plated finish.

Discount Schedule: C2 Subclass: DS0

Padlocking Defeater Handle Kit



Hole Pattern Detail

Catalog Number	Description
BD-PDHB	Type 4 - 1 pt padlocking defeater

These door handles can be used as replacement locks for Type 12 ground mounted disconnect enclosures featuring a beveled door. Handles are a zinc die-cast construction with a textured powder coat finish to provide durability and corrosion resistance. An optional built in spring loaded defeater provides a two handed operation requirement and a standard padlockable handle trigger provides secondary security. Handles are supplied with nut and gasketing materials.

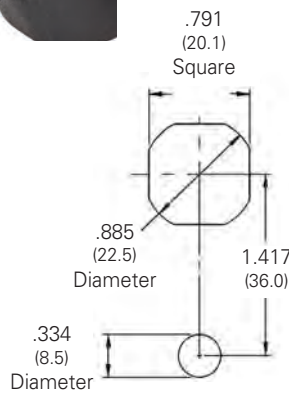
**Discount Schedule: C2
Subclass: DS0**

Notes: Dimensions are in inches. Millimeters shown are for reference only. Data subject to change without notice.

Locks, Latches, Inserts, & Handles Handles

Illustration Sheet and Catalog Number

Padlocking Keylocking Handle Kit



Hole Pattern Detail

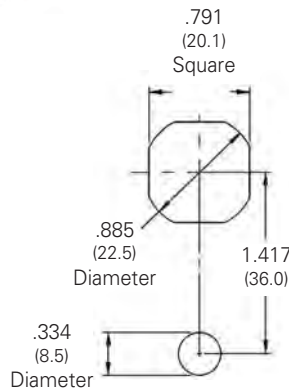
Catalog Number	Description
BD-PKHB	Type 4X - 1 pt padlocking keylocking

These door handles can be used as replacement locks for Type 12, Type 4 and Type 4X ground mounted enclosures featuring a beveled door. Handles are a zinc die-cast construction with a textured powder coat finish to provide durability and corrosion resistance. A key-lock and padlockable handle trigger provides secondary security. Handles are supplied with nut and gasketing materials and keys.

Discount Schedule: C2
Subclass: DSO

Padlocking Keylocking Handle Kit

Accessories



Hole Pattern Detail

Catalog Number	Description
BD-PKHSS	Type 4X - 1 pt padlocking keylocking

These door handles can be used as replacement locks for Type 4X ground mounted 316SS enclosures featuring a beveled door. Handles are a die-cast stainless steel construction to provide durability and corrosion resistance. A key-lock and padlockable handle trigger provides secondary security. Handles are supplied with nut and gasketing materials and keys.

Discount Schedule: C2
Subclass: DSO

Notes: Dimensions are in inches. Millimeters shown are for reference only. Data subject to change without notice.

Clamp & Padlock Kits Padlock Kit

Illustration Sheet and Catalog Number

JIC Padlock Kit



JIC Padlock Kit

Catalog Number	Description
PLKJICSS6	Padlock Kit Type 316 Stainless Steel

The JIC Padlock Kit is designed to field install on all JIC type and Larger Type 12 CHSC Enclosures. Mounting hardware and instruction are provided.

Discount Schedule: C2

Subclass: D10



Notes: Dimensions are in inches. Millimeters shown are for reference only. Data subject to change without notice.

Clamp & Padlock Kits Clamps

Illustration Sheet and Catalog Number

Discount Schedule: C2
Subclass: DSO

Type 12 JIC Cover Clamp Kit



JIC 12 Cover Clamp Kit

Catalog Number	Description	Quantity
J12CK2	Cover clamp kit	1 Kit

This kit is intended as replacement clamp parts on all JIC Type 12 hinge cover and clamp cover devices. Clamps will also fit NEMA 12 Feed-Through Wireway and NEMA 12 Wiring Trough. Each kit contains two each - plated steel cover clamps and plated screws.

¹/₄" hardware.

Type 4X/4 JIC Cover Clamp Kit



JIC 4 & 4X Cover Clamp Kit

Catalog Number	Description	Quantity
J4XCK2	Cover clamp kit	1 Kit

This kit is intended as replacement clamp parts on all JIC Type 4X and JIC Type 4 Wall-Mount and Floor-Standing Enclosures. Each kit contains two each - stainless steel cover clamps stainless steel screws.

¹/₄" hardware.

Type 4X/4/12 JIC Fast-Access Clamp Kit



JIC Fast-Access Clamp Kit

Catalog Number	Description	Quantity
L23	Fast-clamp, steel	1
L23SS	Fast-clamp, stainless	1

This kit is intended to be used in place of standard JIC cover clamps to provide quick access into an enclosure. Clamps will fit JIC Type 4X, 4 and 12 hinge and clamp cover enclosures. They will also replace the clamps used on NEMA 12 and 4X Feed-Through Wireway and NEMA 12 and 4X Wiring Trough. These clamps will **not** fit the JIC screw or quick-release cover designs. Each kit includes washers for fitting between the enclosure bracket and the fast-access clamp to control gasket compression. Kits are available in plated steel (Type 12 Enclosures) and stainless steel (Type 4X & 4 Enclosures). UL Listed.

Notes: Dimensions are in inches. Millimeters shown are for reference only. Data subject to change without notice.

Clamp & Padlock Kits
Clamps

Illustration Sheet and Catalog Number

Discount Schedule: C2
Subclass: DSO

Type 12 NEMA Cover Clamp Kit



Type 12 Door Clamp Kit

Catalog Number	Description	Quantity
N12CK2	Door clamp kit	1 Kit

This kit is intended as replacement clamp parts on Type 12 Single Door Wall-Mount Enclosures. Each kit contains two each - door clamps, screws, springs and washers. The clamps, screws and washers are plated steel, the springs are stainless steel.
1/4" hardware.

Type 4X/4 NEMA Cover Clamp Kit



Type 4 & 4X Door Clamp Kit

Catalog Number	Description	Quantity
N4XCK2	Door clamp kit	1 Kit

This kit is intended as replacement clamp parts on Type 4X and Type 4 Wall-Mount and Floor Standing Enclosures. Each kit contains two each - door clamps, screws, springs and washers. All clamp parts and hardware are stainless steel.
1/4" hardware.

Type 4X/4/12 NEMA Fast-Access Clamp Kit



NEMA Fast-Access Clamp Kit

Catalog Number	Description	Quantity
FC412SS	Fast-clamp, stainless steel	1 Kit

This kit is intended to be used in place of standard NEMA door clamps to provide quick access into an enclosure. Clamps will fit Type 4X, 4 and 12 Single Door Wall-Mount Enclosures. They will also replace the clamps used on Type 4X and Type 4 Floor Standing Enclosures. Each kit contains two each - door clamps, fast access screw fasteners, springs and washers. Gasket compression is controlled by turning the handle in or out of the bracket. UL Listed.

Notes: Dimensions are in inches. Millimeters shown are for reference only. Data subject to change without notice.

Bolt-On Accessories

Illustration Sheet and Catalog Number

Discount Schedule: C2

Subclass: DSO

Folding Shelf Kit



Folding Shelf Kit

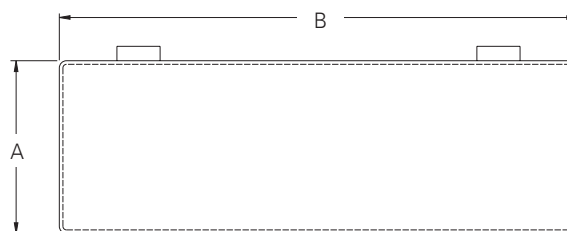
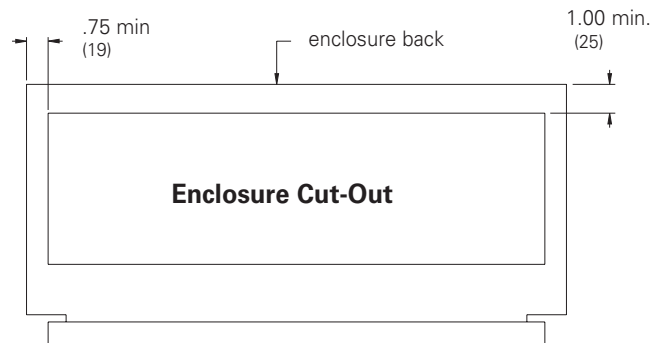
Catalog Number	Description
FSHELF12	12 x 12 Flat mounting surface
FSHELF18	18 x 18 Flat mounting surface

The folding shelf is intended to mount inside or outside of enclosure to support components, sensitive instruments and other equipment which may be integral to the enclosure. When properly installed the shelf will fold open into a locked position perpendicular to the mounting surface. When not in use, the shelf folds down into a locked position. The Folding Shelf is constructed from heavy gauge steel and has a white polyester powder paint finish.

Gland Plates



Catalog Number	Gland Plate Detail				Enclosure Cut-Out	
	A		B		in.	mm
	in.	mm	in.	mm		
GP610	6.00	152	10.00	254	5.00x9.00	127x229
GP618	6.00	152	18.00	457	5.00x17.00	127x432



Intended for use with Type 12 Enclosures and is an excellent means of providing a removable access plate to an enclosure and still maintain its listing. The Gland Plate is constructed from (16) gauge steel and has ANSI 61 gray polyester powder finish. Fastening is done from the inside of the enclosure to prevent tampering. Hardware and instructions are included with the kit. UL Listed.

Notes: Dimensions are in inches. Millimeters shown are for reference only. Data subject to change without notice.

Bolt-On Accessories

Illustration Sheet and Catalog Number

Discount Schedule: C2

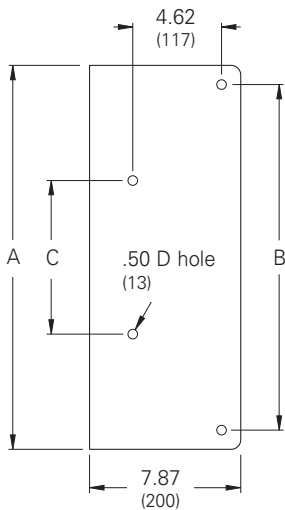
Subclass: DSO

Floor Stand Kit

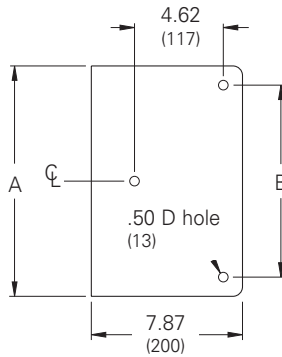


Steel

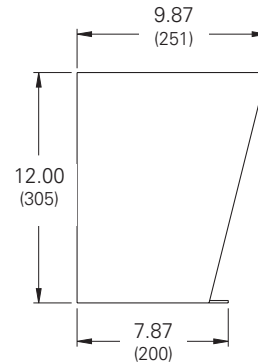
Stainless



Base 20 - 24 Deep



Base 8 - 16 Deep



Floor Stand Kit

Catalog Number		A		B		C	
Steel	Stainless	in.	mm	in.	mm	in.	mm
MFK8	MFK8XS	8.0	203	6.06	154	—	—
MFK10	MFK10XS	10.0	254	8.06	205	—	—
MFK12	MFK12XS	12.0	305	10.06	256	—	—
MFK16	MFK16XS	16.0	406	14.06	357	—	—
MFK18	MFK18XS	18.0	457	16.06	408	7.00	178
MFK20	MFK20XS	20.0	508	18.06	459	8.00	203
MFK24	MFK24XS	24.0	610	22.06	560	10.00	254

Floor Stand Kits are intended for use with Type 4X, Type 4 and Type 12 Wall-Mount Enclosures where floor support is required. They are easily installed on most enclosures where the width is 20 inches (508 mm) or more. The enclosure mounting feet need not be removed in order to install Floor Stand Kits. Each kit consists of two (10) gauge legs and hardware for mounting. At the base of each leg is a prepunched plate (see drawing). Steel kits have a gray polyester powder paint finish. Stainless steel kits are fabricated from 304 alloy. Standard Floor Stand Kits are 12 inches (305 mm) high. For special heights or non-standard construction consult the factory.

Enclosure Stabilizer



Enclosure Stabilizer

Catalog Number	Quantity
ES2	2

Enclosure Stabilizers are heavy gauge with a wide base for use with NEMA Floor Stand Kits which add stability to large enclosures or top heavy enclosures. Two thumb screws thread into the offset piece and secure the stabilizer to the base of the leg. Two stabilizers are furnished. They are finished with a bright caution orange enamel paint.

Notes: Dimensions are in inches. Millimeters shown are for reference only. Data subject to change without notice.

Bolt-On Accessories

Illustration Sheet and Catalog Number

Louver Plate Kits



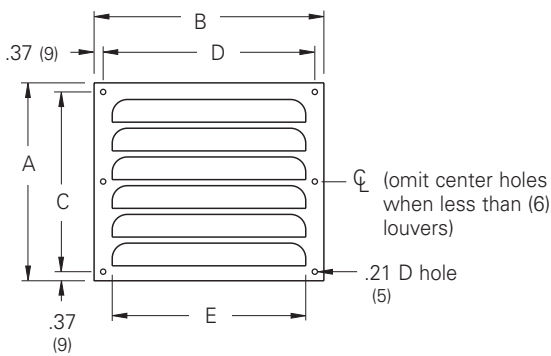
Excellent for providing ventilation in enclosures where external conditions or internal components may cause excessive amount of heat or moisture. Designed to be used with B-Line series Filter Kits using the same cut-out and mounting hole configurations. Louver Plate Kits include all of the necessary hardware and instructions for field installation. Plates are constructed from 16 gauge steel and have an ANSI 61 gray polyester powder finish.

Discount Schedule: C2

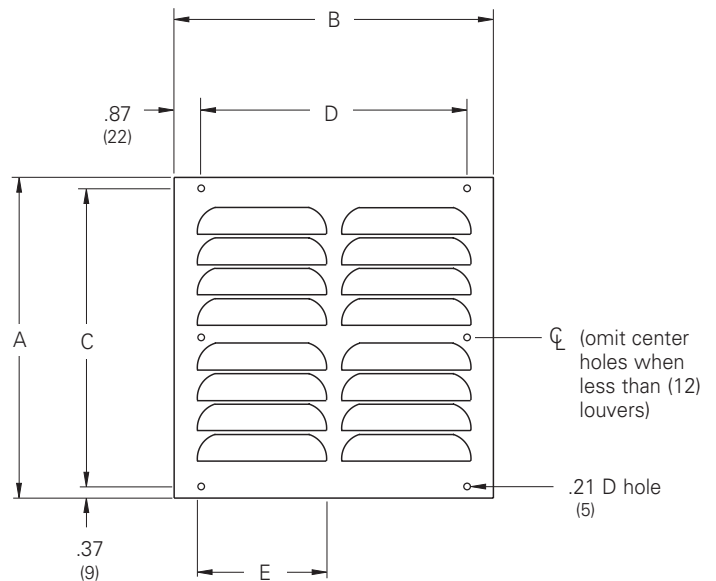
Subclass: DS0

Louver Plate Kit	Louver Plate Size				Louver Plate Detail								Enclosure Cut-Out				Area Opening (sq.in.)	
	A		B		C		D		E		Depth		Quantity		Height			Width
Catalog Number	in.	mm	in.	mm	in.	mm	in.	mm	in.	mm	in.	mm	in.	mm	in.	mm	in.	mm
LPK23	3.25	83	3.25	83	2.50	64	2.50	64	2.00	51	.25	6	3	2.12	54	2.12	54	1.10
LPK33	3.87	98	4.50	114	3.12	79	3.75	95	3.00	76	.25	6	3	2.50	64	3.12	79	1.68
LPK34	4.75	121	4.50	114	4.00	102	3.75	95	3.00	76	.25	6	4	3.37	86	3.12	79	2.20
LPK43	4.50	114	5.50	140	3.75	95	4.75	121	4.25	121	.25	6	3	3.00	76	4.12	105	2.30
LPK44	5.62	143	5.50	140	4.87	124	4.75	121	4.25	121	.25	6	4	4.00	102	4.12	105	3.10
LPK64	5.62	143	7.50	191	4.87	124	6.75	171	5.50	140	.25	6	4	4.25	121	6.12	155	4.10
LPK66	7.87	200	7.50	191	7.12	181	6.75	171	5.50	140	.25	6	6	6.50	165	6.12	155	6.10
LPK84	5.81	148	10.50	267	5.06	129	8.75	222	4.25	108	.25	6	8	4.25	121	8.12	206	6.30
LPK86	8.19	208	10.50	267	7.44	189	8.75	222	4.25	108	.25	6	12	6.50	165	8.12	206	9.50
LPK88	10.56	268	10.50	267	9.81	249	8.75	222	4.25	108	.25	6	16	8.75	222	8.12	206	12.70
LPK812	15.31	389	10.50	267	14.56	370	8.75	222	4.25	108	.25	6	24	13.25	337	8.12	206	19.00

Accessories



LPK23 to LPK66
Typical



LPK84 to LPK812
Typical

Notes: Dimensions are in inches. Millimeters shown are for reference only. Data subject to change without notice.

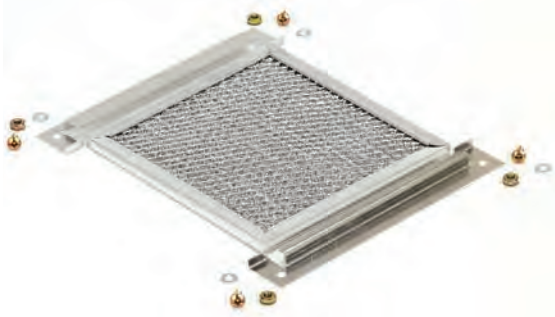
Bolt-On Accessories

Illustration Sheet and Catalog Number

Discount Schedule: C2

Subclass: DSO

Filters & Filter Adhesive



Designed for use with Louver Plate Kits. The Filter mounts securely inside of the enclosure using the brackets and hardware furnished with the kit. The Filter is comprised of finely woven aluminum strips which offers protection against airborne dust and dirt. Periodic washing with warm water is needed to keep the Filter clean.

Filters	
Filter Catalog Number	Used with Louver Plate Catalog Number
FLT33	LPK33
FLT34	LPK34
FLT43	LPK43
FLT44	LPK44
FLT64	LPK64
FLT66	LPK66
FLT84	LPK84
FLT86	LPK86
FLT88	LPK88
FLT812	LPK812

Filter Adhesive



DISCONTINUED

Filter Adhesive

Catalog Number	Description
FAS-412	14 oz. Aerosol Spray

Use the filter adhesive to help increase efficiency of air filters. The adhesive spray helps trap small particles that normally pass through the filter and helps protect the elements within.

Accessories

Notes: Dimensions are in inches. Millimeters shown are for reference only. Data subject to change without notice.

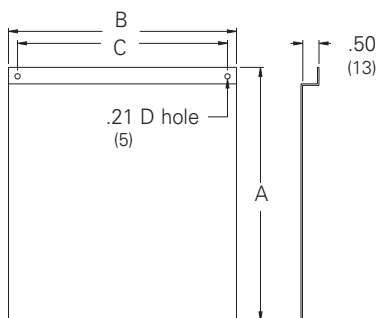
Bolt-On Accessories

Illustration Sheet and Catalog Number

Discount Schedule: C2

Subclass: DSO

Baffle Plates



Baffle Plates

Baffle Plate Catalog Number	A		B		C		Used with Louver Plate Catalog Number
	in.	mm	in.	mm	in.	mm	
BP23	3.25	83	3.25	83	2.50	64	LKP23
BP33	3.87	98	4.50	114	3.75	95	LKP33
BP34	4.75	121	4.50	114	3.75	95	LKP34
BP43	4.50	114	5.50	140	4.75	121	LKP43
BP44	5.62	143	5.50	140	4.75	121	LKP44
BP64	5.12	130	7.50	191	6.75	171	LKP64
BP66	7.37	187	7.50	191	6.75	171	LKP66
BP84	5.31	135	9.50	241	8.75	222	LKP84
BP86	7.68	195	9.50	241	8.75	222	LKP86
BP88	10.06	256	9.50	241	8.75	222	LKP88
BP812	14.81	376	9.50	241	8.75	222	LKP812

Baffle Plates are intended to be used with Louver Plates when it is necessary to prevent direct access into the enclosure through the louver opening. The plate is designed to mount to the inside of the enclosure using the same cut-out and mounting holes required to mount the Louver Plate Kit. Plates are (16) gauge steel and have an ANSI 61 gray polyester powder finish. UL Listed.

Hole Seals



Painted Steel - U.L. listed as Type 3R, 12, 13, & 4



Stainless Steel - U.L. listed as Type 4X

Oil-Tight Hole Seals

Catalog Number		Application	Max. Hole Diameter		Hole Seal Diameter	
Steel	Stainless		in.	mm	in.	mm
SPBG	SPBGSS	Miniature oil-tight pushbutton holes	0.88	22	1.22	31
SPB	SPBSS	Standard oil-tight pushbutton holes	1.25	32	1.75	44
S050	S050SS	1/2-inch conduit holes	.88	22	1.38	35
S075	S075SS	3/4-inch conduit holes	1.06	27	1.56	40
S100	S100SS	1-inch conduit holes	1.38	35	1.88	48
S125	S125SS	1 1/4-inch conduit holes	1.69	43	2.19	56
S150	S150SS	1 1/2-inch conduit holes	2.00	51	2.50	64
S200	S200SS	2-inch conduit holes	2.50	64	3.00	76
S250	S250SS	2 1/2-inch conduit holes	3.00	76	3.50	89
S300	S300SS	3-inch conduit holes	3.62	92	4.12	105
S350	S350SS	3 1/2-inch conduit hole	4.12	105	4.62	117
S400	S400SS	4-inch conduit holes	4.62	117	5.12	130

Protects knockout openings and extra pushbutton or conduit openings from dirt, oil, dust and water. Each hole seal has oil-resistant gasketing and plated stud and wing nut. Available in steel finished with ANSI 61 polyester powder or unpainted stainless steel.

Notes: Dimensions are in inches. Millimeters shown are for reference only. Data subject to change without notice.

Bolt-On Accessories

Illustration Sheet and Catalog Number

Discount Schedule: C2

Subclass: DSO

Drip Shields



NEMA 12 Drip Shield Kits

Catalog Number	Fits Enclosure
DK12A	12.00 inch wide
DK16A	16.00 inch wide
DK20A	20.00 inch wide
DK24A	24.00 inch wide
DK30A	30.00 inch wide
DK36A	36.00 inch wide

The NEMA 12 Drip Shield Kit is intended for use with Type 12 Single Door Wall-Mount Enclosures. It offers protection to the door and hardware from dripping water and falling dust. The drip shield is constructed from (14) gauge steel and has an ANSI 61 gray polyester powder finish. It attaches to the enclosure front, above the door. The kit includes a drip shield, stainless steel clamps, hardware and sealing compound. UL Listed



NEMA 4X Drip Shield Kits

Catalog Number	Fits Enclosure
DK12SS	12.00 inch wide
DK16SS	16.00 inch wide
DK20SS	20.00 inch wide
DK24SS	24.00 inch wide
DK30SS	30.00 inch wide
DK36SS	36.00 inch wide

The NEMA 4X Drip Shield Kit is intended for use with Type 4X and Type 4 Single Door Wall-Mount Enclosures. It offers protection to the door and hardware from dripping water and falling dust. The drip shield is constructed from (14) gauge steel and has a fine brushed finish. The shield attaches to the enclosure top front. The kit includes a drip shield, stainless steel hardware, and sealing compound. UL Listed.

Casters



Casters for Series AW-9 and AW-14 Consoles

Catalog Number	Description	Mounting plate size (front to back)
4700-CC	Set of 4 casters, 2 mounting plates and hardware	16"
4700-CC2	Set of 4 casters, 2 mounting plates and hardware	19"

Each set contains 2 swivel casters and two stationary casters. Composition rubber wheel is self-lubricating and has a soft rubber tread with a hard rubber core. Each swivel wheel has a side brake. Each caster has a 200 pound load capacity.

Notes: Dimensions are in inches. Millimeters shown are for reference only. Data subject to change without notice.

Bolt-On Accessories

Illustration Sheet and Catalog Number

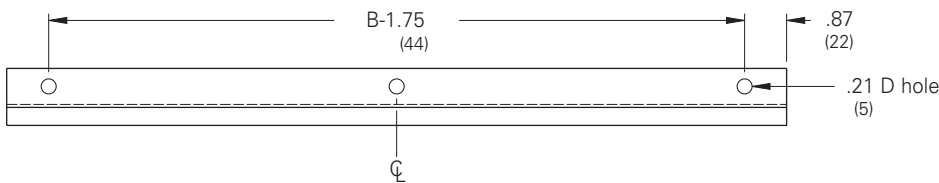
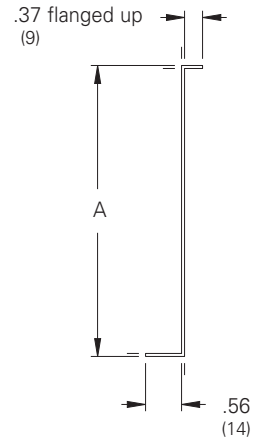
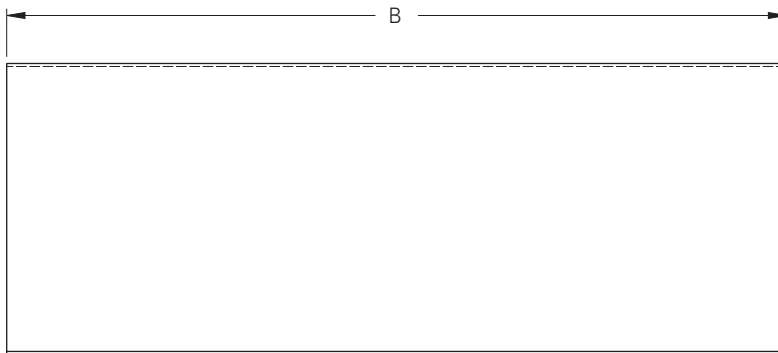
Barrier



Barrier/Shelf Kits are intended for use with Type 1 and Type 3R Telephone Termination Cabinets. Barrier/Shelf kits can also be used with other types of enclosure designs provided the enclosure dimensions are large enough to fit the Barrier/Shelf (see table). The flanged lip design creates a ridged barrier construction or a shelf for containing and storing spare fuses and other components. Each kit includes all the necessary hardware for field installation. The Barrier/Shelf is constructed from (16) gauge steel and has an ANSI 61 gray polyester powder finish.

Barrier/Shelf Kit Catalog Number	A		B		Fits Enclosure (and larger) Length x Depth	
	in.	mm	in.	mm	in.	mm
BK412	3.87	98	11.75	298	12.00x4.00	305x102
BK415	3.87	98	14.75	375	15.00x4.00	381x102
BK418	3.87	98	17.75	450	18.00x4.00	457x102
BK424	3.87	98	23.75	603	24.00x4.00	610x102
BK430	3.87	98	29.75	756	30.00x4.00	762x102
BK436	3.87	98	35.75	908	36.00x4.00	914x102
BK448	3.87	98	47.75	1213	48.00x4.00	1219x102
BK612	5.87	149	11.75	298	12.00x6.00	305x152
BK615	5.87	149	14.75	375	15.00x6.00	381x152
BK618	5.87	149	17.75	450	18.00x6.00	457x152
BK624	5.87	149	23.75	603	24.00x6.00	610x152
BK630	5.87	149	29.75	756	30.00x6.00	762x152
BK636	5.87	149	35.75	908	36.00x6.00	914x152
BK648	5.87	149	47.75	1213	48.00x6.00	1219x152

Discount Schedule: C2
Subclass: A00



(omit center hole where "B" is less than 23.75)

Notes: Dimensions are in inches. Millimeters shown are for reference only. Data subject to change without notice.

Bolt-On Accessories
Illustration Sheet and Catalog Number

Component Mounting Device



Component Mounting Device

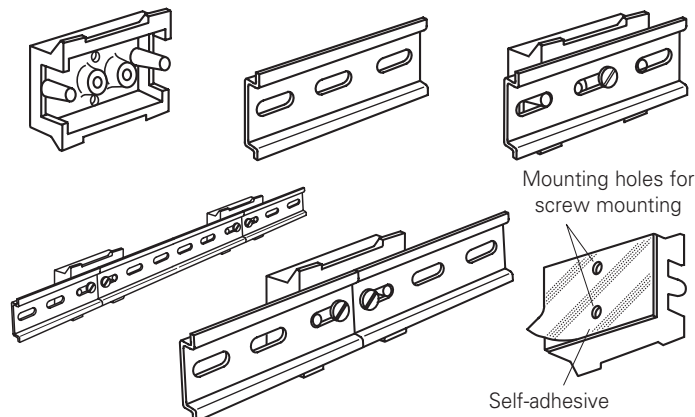
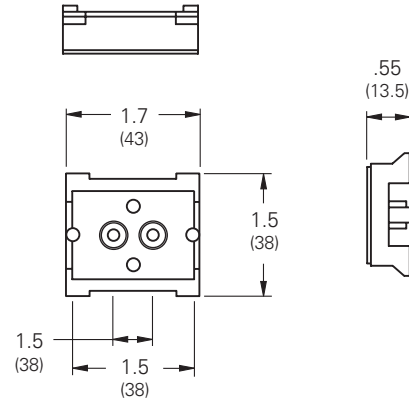
Catalog Number	Description
ECMD1	Small mounting aid

The Component Mounting Device is a small mounting aid especially designed to make mounting of small 35 mm DIN rail mountable components easier. It can be used whenever the installation of a 35 mm DIN rail is impractical, or when there is not enough space left in an enclosure. Because of its industrial grade self-adhesive it can be installed much easier and quicker than a conventional DIN rail, without hole drilling and screw mounting. B-Line's component mounting device can hold components up to 1.1 lbs in weight. The initial adhesive power is 40%. After 24 hours, it has its full holding power of 1.1 lbs. ECMD1 can also be screw mounted if a more secure mounting is desired or if the surface is rough. All that is necessary to install our ECMD1 is a smooth and clean surface. Sold in packages of five (5).

Discount Schedule: C2
Subclass: TH0

Technical Data

Application:	Direct attachment of small components and 35 mm DIN rails, EN 50022
Capacity:	0.44 lb. (200 g) initially 1.1 lb (500 g) after 24 hour waiting period
Mounting Surface:	All smooth surfaces, (e.g. metals, laquered surfaces, plastics other than polyethylene, polypropylene and rubber). Mounting surface must be dry and free from dust, oil, separating agents and other contamination.
Dimensions:	1.7x1.5x0.55" (43x38x14 mm)
Hole pattern:	0.5" distance, Δ 0.14" (12.8 mm; Δ 3.6 mm)
Material:	polyamide (rated UL 94V-0) with non-deteriorating high-performance adhesive
Temperature range:	-22° to +131°F (-30° to +55°C)
Included:	mounting screw for perforated 35 mm DIN rail, EN 50022



Notes: Dimensions are in inches. Millimeters shown are for reference only. Data subject to change without notice.

Electrical Accessories

Terminal Block Kits

Illustration Sheet and Catalog Number

JIC Terminal Strap Kit



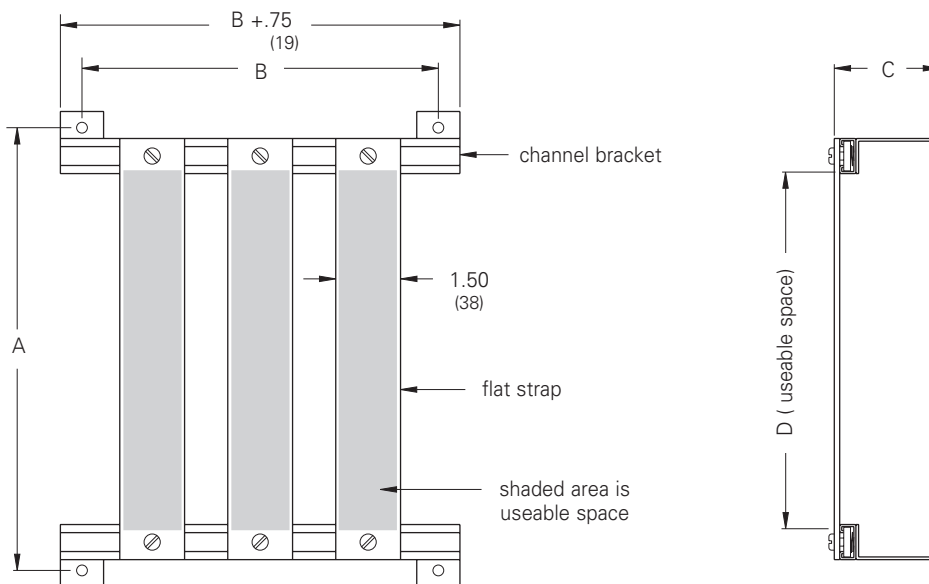
JIC Terminal Strap Kits fit all styles and types of JIC enclosures. The kits are furnished with flat straps for mounting Flat Based Terminal Blocks, (see Flat Based Terminal Blocks, page 445). There is adequate space on each terminal strap should the user wish to provide another style of block. Terminal straps are made from (10) gauge steel with an electrogalvanized finish. They are fastened to channel clamping nuts which allows them to adjust along the width of the channel bracket assembly. Extra Strap Kits can be ordered separately and come furnished with all hardware necessary for channel mounting.

Discount Schedule: C2
Subclass: DSO



Terminal Strap Kit	A		B		C		D		Quantity Of Straps	Fits Enclosure Height x Width	Extra Strap Kit
Catalog Number	in.	mm	in.	mm	in.	mm	in.	mm		in. mm	Catalog Number
86TS	6.25	159	4.25	108	1.12	28	4.50	114	2	8.00x6.00 203x152	8TS
108TS	8.25	210	6.25	159	1.12	28	6.50	165	2	10.00x8.00 254x203	10TS
1210TS	10.25	260	8.25	210	2.43	62	8.50	216	3	12.00x10.00 305x254	12TS
1212TS	10.25	260	10.25	260	2.43	62	10.50	267	3	12.00x12.00 305x305	12TS
1412TS	12.25	311	10.25	260	2.43	62	10.50	267	3	14.00x12.00 356x305	14TS
1614TS	14.25	362	12.25	311	2.43	62	12.50	318	4	16.00x14.00 406x356	16TS

Accessories

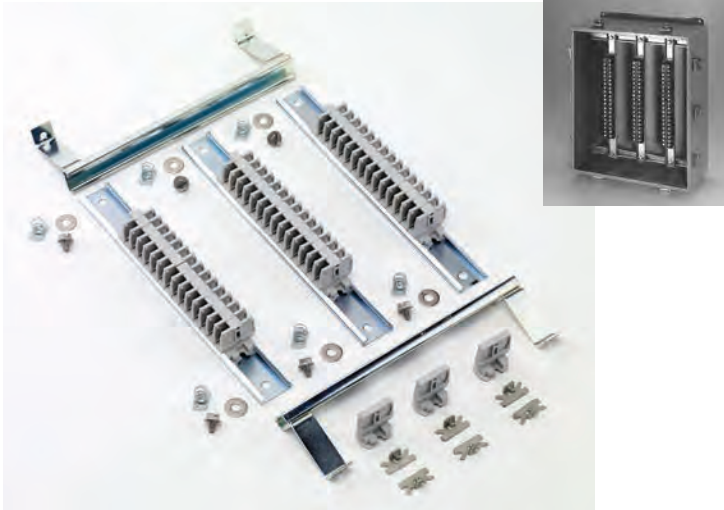


Notes: Dimensions are in inches. Millimeters shown are for reference only. Data subject to change without notice.

Electrical Accessories Terminal Block Kits

Illustration Sheet and Catalog Number

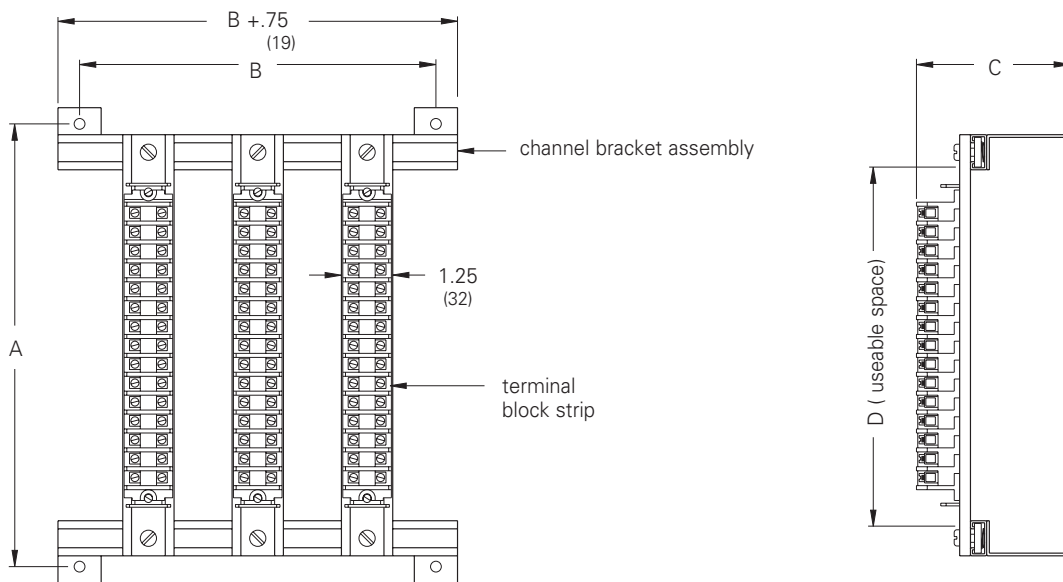
JIC Terminal Block Strip Kit



JIC Terminal Block Strip Kits fit all styles and types of JIC Enclosures. Kits are furnished with Terminal Strips and contain Medium-Duty Channel Mount Terminal Blocks, Terminal End and Clamps. Terminals have tubular screw type lugs which accept wire sizes from #18 through #8. Terminal Strips are fastened to channel nuts which allow them to adjust along the entire width of the channel bracket assembly. Extra Strip Kits can be ordered separately. They come furnished with all the hardware necessary for channel mounting but do not include the terminal blocks. Terminal blocks, ends, and clamps can be ordered separately as well, (see Channel Mount Terminal Blocks, page 444).

Discount Schedule: C2
Subclass: DS0

Terminal Strap Kit Catalog Number	A		B		C		D		Quantity Of Straps	Fits Enclosure Height x Width		Extra Strap Kit Catalog Number
	in.	mm	in.	mm	in.	mm	in.	mm		in.	mm	
86TB	6.25	159	4.25	108	2.15	55	4.50	114	2	8.00x6.00	203x152	8TB
108TB	8.25	210	6.25	159	2.15	55	6.50	165	2	10.00x8.00	254x203	10TB
1210TB	10.25	260	8.25	210	3.56	90	8.50	216	3	12.00x10.00	305x254	12TB
1412TB	12.25	311	10.25	260	3.56	90	10.50	267	3	14.00x12.00	356x305	14TB
1614TB	14.25	362	12.25	311	3.56	90	12.50	318	4	16.00x14.00	406x356	16TB



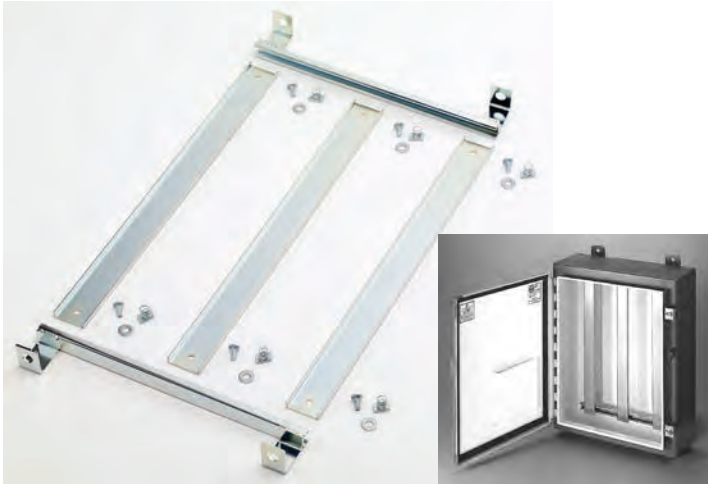
Notes: Dimensions are in inches. Millimeters shown are for reference only. Data subject to change without notice.

Electrical Accessories

Terminal Block Kits

Illustration Sheet and Catalog Number

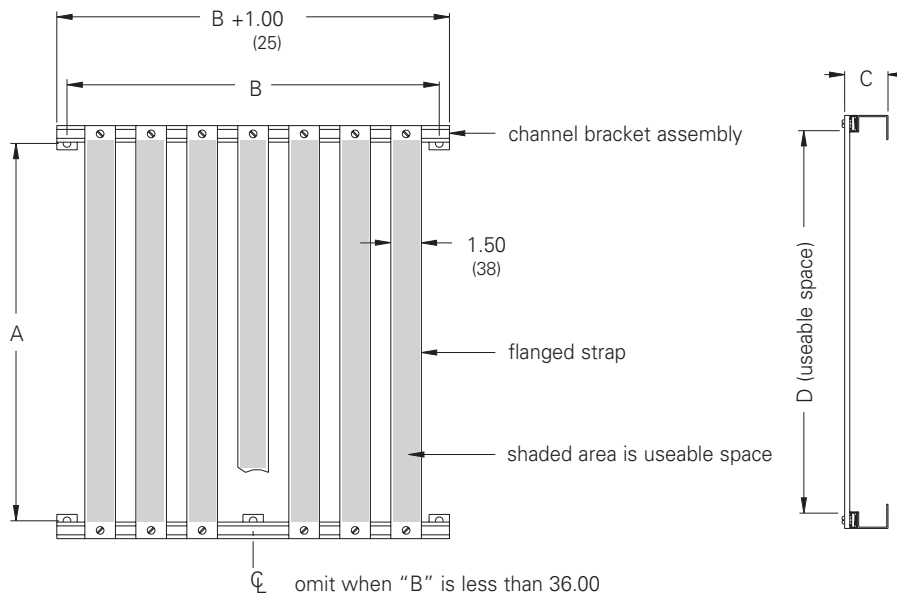
NEMA Terminal Strap Kits



NEMA Terminal Strap Kits fit Type 4, Type 4X and Type 12 Enclosures. Kits are furnished with flanged straps for mounting Flat Base Terminal Blocks, (See Flat Base Terminal Blocks, page 445). There is adequate space on each terminal strap should the user wish to provide another style block. Terminal straps are (14) gauge steel with an electrogalvanized finish. They are fastened to channel nuts which allow them to adjust along the width of the channel bracket assembly. Three channel brackets are supplied with kits that fit enclosures that are 36 inches wide. Extra Strap Kits can be ordered separately and come furnished with all hardware necessary for channel mounting.

Discount Schedule: C2
Subclass: DS0

Terminal Strap Kit Catalog Number	A		B		C		D		Quantity of Straps	Fits Enclosure Height x Width		Extra Strap Kit Catalog Number
	in.	mm	in.	mm	in.	mm	in.	mm		in.	mm	
16TS12	11.25	286	7.25	184	2.18	55	11.75	298	2	16.00x12.00	406x305	16S
20TS16	15.25	387	11.25	286	2.18	55	15.75	400	3	20.00x16.00	508x406	20S
20TS20	15.25	387	15.25	387	2.18	55	15.75	400	4	20.00x20.00	508x508	20S
24TS20	19.25	489	15.25	387	2.18	55	19.75	502	4	24.00x20.00	610x508	24S
24TS24	19.25	489	19.25	489	2.18	55	19.75	502	5	24.00x24.00	610x610	24S
30TS20	25.25	641	15.25	387	2.18	55	25.75	654	4	30.00x20.00	762x508	30S
30TS24	25.25	641	19.25	489	2.18	55	25.75	654	5	30.00x24.00	762x610	30S
36TS24	31.25	794	19.25	489	2.18	55	31.75	806	5	36.00x24.00	914x610	36S
36TS30	31.25	794	25.25	641	2.18	55	31.75	806	6	36.00x30.00	914x762	36S
42TS30	37.25	946	25.25	641	2.18	55	37.75	959	6	42.00x30.00	1067x762	42S
48TS36	43.25	1099	31.25	794	2.18	55	43.75	1111	7	48.00x36.00	1219x914	48S
60TS36	55.25	1403	31.25	794	2.18	55	55.75	1416	7	60.00x36.00	1524x914	60S



Notes: Dimensions are in inches. Millimeters shown are for reference only. Data subject to change without notice.

Electrical Accessories Terminal Block Kits

Illustration Sheet and Catalog Number

Discount Schedule: C2
Subclass: D50

Channel Mounted Terminal Blocks

Medium-Duty Channel Mount terminal blocks are rated at 600 VAC, 50 Amps. Terminal lugs are plated copper and have tubular screw contacts. Terminal wire range is from #22 through #8 AWG. Each terminal block top has a painted marking area intended for circuit designation. These blocks are designed to dovetail into channel and can be stacked in combination with both Medium-Duty and/or Heavy-Duty Channel Mount type terminals. One Channel Mount Terminal End and two Channel Clamps are required to terminate a stack of blocks (order separately).



CTB3005



CTE3001

Heavy-Duty Channel Mount terminal blocks are rated at 600 VAC, 90 Amps. Terminal lugs are plated copper and have tubular screw contacts. Terminal wire range is from #18 through #4 AWG. Each terminal block top has a painted marking area intended for circuit designation. These blocks are designed to dovetail into channel and can be stacked in combination with both Heavy-Duty and/or Medium-Duty Channel Mount type terminals. One Channel Mount Terminal End and two Channel Clamps are required to terminate a stack of blocks (order separately).



CT6005



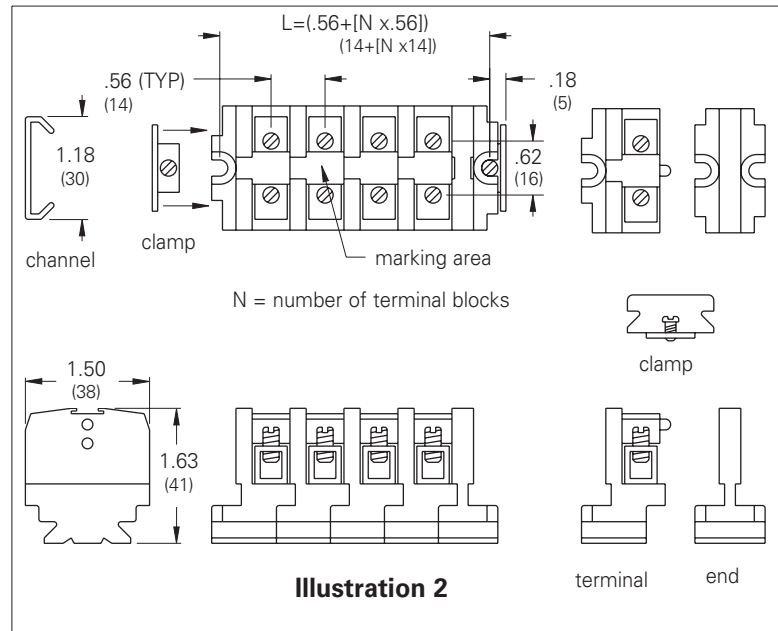
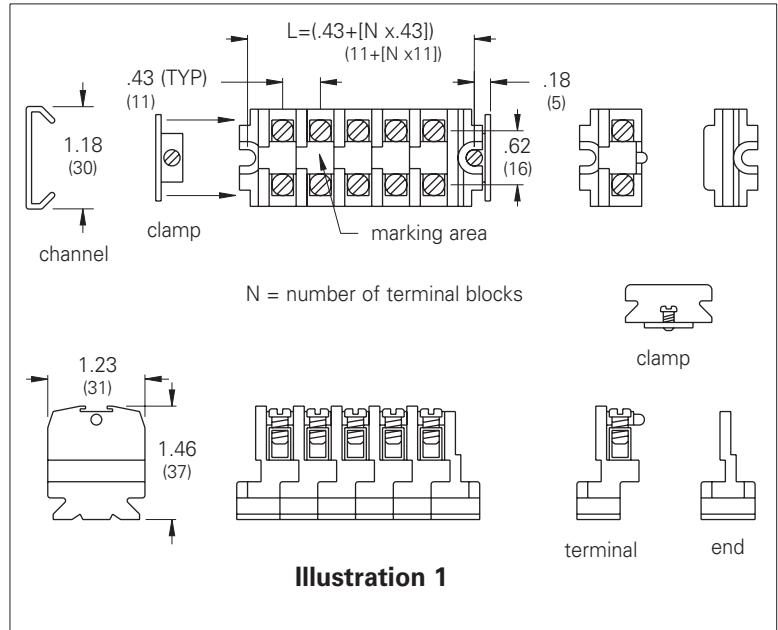
CE6001



CTC2



25012A



Catalog Number	Description	Illustration	Quantity
CTB3005	Medium-duty channel mount terminal	1	5
CTE3001	Medium-duty channel mount end	1	1
CT6005	Heavy-duty channel mount terminal	2	5
CE6001	Heavy-duty channel mount end	2	1
CTC2	Channel mount terminal clamp	1 & 2	2
25012A	Channel Strip (72 inch)	1 & 2	1

Notes: Dimensions are in inches. Millimeters shown are for reference only. Data subject to change without notice.

Electrical Accessories

Terminal Block Kits

Illustration Sheet and Catalog Number

Discount Schedule: C2
Subclass: DSO

Flat Base Terminal Blocks

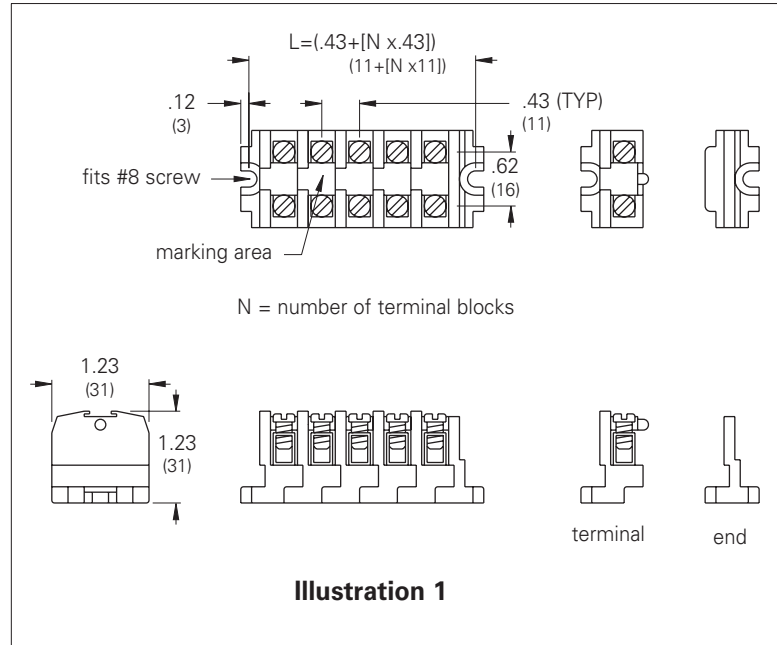
Medium-Duty Flat Base type terminal blocks are rated at 600 VAC, 50 Amps. Terminal lugs are plated copper and have tubular screw contacts. Terminal wire range is from #22 through #8 AWG. Each terminal block top has a painted marking area intended for circuit designation. These blocks are designed to stack in combination with both Medium-Duty and/or Heavy-Duty Channel Mount type terminals. One Flat Based Terminal End and hardware is required to terminate a stack of blocks (order separately).



FTB3005



FTE3001



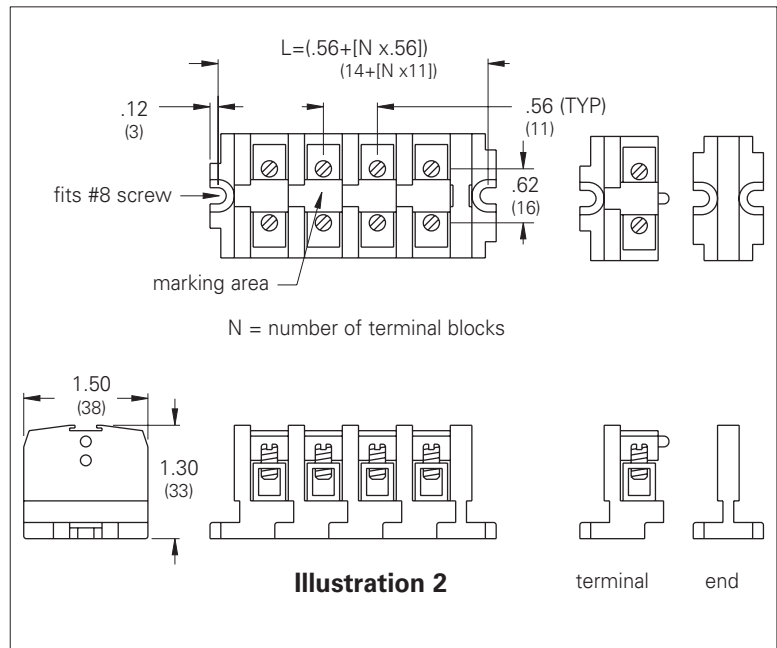
Heavy-Duty Flat Base terminal blocks are rated at 600 VAC, 90 Amps. Terminal lugs are plated copper and have tubular screw contacts. Terminal wire range is from #18 through #4 AWG. Each terminal block top has a painted marking area intended for circuit designation. These blocks are designed to stack in combination with both Heavy-Duty and/or Medium-Duty Flat Base type terminals. One Flat Base Terminal End and hardware is required to terminate a stack of blocks (order separately).



FT6005



FE6001



Catalog Number	Description	Illustration	Quantity
FTB3005	Medium-duty flat base terminal	1	5
FTE3001	Medium-duty flat end, (includes #8 screws)	1	1
FT6005	Heavy-duty flat base terminal	2	5
FE6001	Heavy-duty flat end, (includes #8 screws)	2	1

Notes: Dimensions are in inches. Millimeters shown are for reference only. Data subject to change without notice.

Electrical Accessories Terminal Strap Support & Lights Illustration Sheet and Catalog Number

Terminal Strap Support



Terminal Strap Support Kit

Catalog Number	Description
TSK	Two support brackets

This kit is intended for supporting the Terminal Straps and Strips off the back of panels or enclosure walls. The "Z" shaped brackets are made from (12) gauge steel and have a white enamel paint finish. Two brackets and hardware are furnished with each kit. Terminal Straps and Strips must be purchased separately.

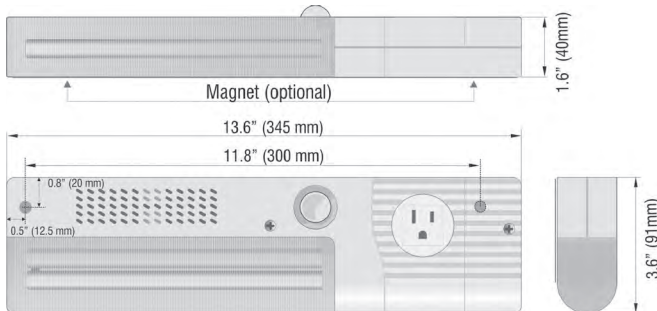
Discount Schedule: C2
Subclass: DS0

Electrical Accessories Enclosure Lights Illustration Sheet and Catalog Number



ELS25-120

ELMS25-120



Discount Schedule: C2
Subclass: DS0

Enclosure Lights

Catalog Number	Description
ELS25-120	Enclosure Light with on/off switch
ELMS25-120	Enclosure Light with motion sensor

The ELS25 light was designed to fit in tight spaces in enclosures. It features an optional integrated receptacle so that electrical devices (e.g. power tools) can be easily plugged in when needed. The standard light can be screw mounted in a variety of positions. The motion sensor version was designed to eliminate the need for a door switch.

- Also available in magnet mount models.

Technical Data

Operating voltage:	110-120V/50-60 Hz
Lamp type:	Compact fluorescent light bulb
Power consumption:	11 W (~75W incand.), Base: 2G7, electronic ballast
Light intensity:	900 Lm
Lamp life:	5,000 hours
Switch:	On/off switch (for light only)
Motion sensor:	PIR = Passive Infrared (see note)
Receptacle:	US/Canada, 120 VAC, 15A max.
Connection:	3 pole screw terminal for AWG 14 max. (2.5 mm ²) (includes cable strain relief)
Mounting:	M5 screws (not included), 11.8" (300mm) hole distance
Dimensions:	Length 13.6" (345mm) x Width 3.6" (91mm) x Depth 1.6" (40mm)
Housing:	Plastic UL94V-0
Weight:	0.9 lbs. (0.4 kg) - 1.3 lbs. (0.6 kg) with magnet
Protection Type:	IP 20
Agency Approvals:	VDE, UL



Note: A passive infrared (PIR) motion sensor detects the motion of the enclosure door being opened and automatically turns on the light. The sensor is factory pre-set to turn the light off 5 minutes after all motion ceases. The motion sensor does not detect movement through glass or fiberglass, thus allowing installation in enclosure with glass doors.

Notes: Dimensions are in inches. Millimeters shown are for reference only. Data subject to change without notice.

Electrical Accessories LED 025 Enclosure Lights Illustration Sheet and Catalog Number

Discount Schedule: C2
Subclass: DSO



LED 025 light with on/off switch and screw mount

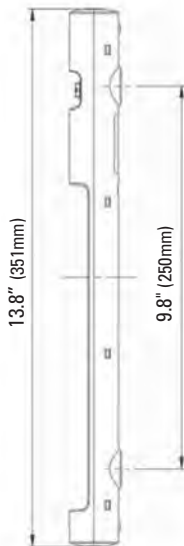


Enclosure Lights with Input Connector Included

Part No. screw mount	Operating voltage	Description
BL02540.0-01-0003	AC 100-240 V, 50/60 Hz (min. AC 90 V, max. AC 265 V)	starter on/off switch with power input connector
BL02540.0-01	AC 100-240 V, 50/60 Hz (min. AC 90 V, max. AC 265 V)	add-on on/off switch for daisy chaining
BL02541.0-01-0003	AC 100-240 V, 50/60 Hz (min. AC 90 V, max. AC 265 V)	starter PIR motion sensor ¹ with power input connector
BL02541.0-01	AC 100-240 V, 50/60 Hz (min. AC 90 V, max. AC 265 V)	add-on PIR motion sensor ¹ for daisy chaining

¹ Passive Infrared (PIR) motion sensor is factory pre-set to turn the light off 6 minutes after all motion ceases

On/off switch light



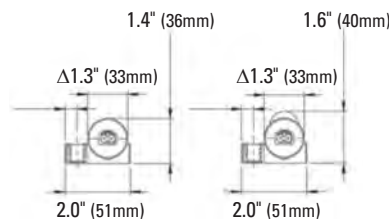
Other options:

- Available in magnet and clip mount models
- Available in DC models

Technical Data

Power consumption	max. 5 W (~ 75 W incandescent bulb)
Luminosity	400 Lm at 120° (1200 Lm at 360° or equivalent 95W light bulb)
Lamp type	LED, 120° angle of radiation light color - daylight, color temperature - 6,500 K
Service life	60,000 hrs. at 68 °F (20 °C)
Connection	2-pole plug with snap lock; AC: max. 2.5 A / AC 240 V, white connector; DC: max. 2.5 A / DC 60 V, blue connector
Housing	plastic, transparent
Mounting	magnet, M5 screws (not included), or clip (M6 screws) torque 2 Nm max.
Operating temperature	-22°F to +140 °F (-30°C to +60 °C)
Storage temperature	-40°F to +185 °F (-40°C to +85 °C)
Dimensions	see drawings
Protection type/Protection class	IP20 / II (double insulated)
Accessories	input connector (P/N: BL264057) and output connector (P/N: BL264058) cable for supply (P/N: BL244357) or cable for daisy chain (P/N: BL244359)
Approvals	UL File No. E234324, VDE, GOST-R

Screw mount end view



Notes: Dimensions are in inches. Millimeters shown are for reference only. Data subject to change without notice.

Electrical Accessories Interlocks

Illustration Sheet and Catalog Number

Discount Schedule: C2

Subclass: DSO



Electrical Interlocks

Catalog Number	Description	Volts/Hz
BAEK115NDH	Electrical Interlock	120/60

The BAEK115NDH is designed to be used with standard B-Line series enclosures that have no handles. This interlock requires drilling several holes in the cover and the body for mounting.



Electrical Interlocks

Catalog Number	Description	Volts/Hz
BAEK115	Electrical Interlock	120/60

The BAEK115 is designed to be used with standard B-Line series door latching mechanisms. When turned on, this interlock will prevent the door handle from being turned to open the door. This interlock is designed to fit handles in the following enclosures:

- (A) All two door NEMA 12 enclosures
- (B) Free standing NEMA 12 enclosures
- (C) All consoles
- (D) All single door NEMA 12 enclosures which have 3 pt. handle mechanisms.
- (E) Two door NEMA 12 enclosures for flange-mounted disconnects
- (F) Modular NEMA 12 enclosures
- (G) Multi-door NEMA 12 enclosures



Electrical Interlock Defeater

Catalog Number	Description
BAEKDF	Defeater

This defeater is key operated and enables personnel to enter an enclosure while the enclosures internal components are energized. Turning the key disengages the circuit to the electrical interlock.

Notes: Dimensions are in inches. Millimeters shown are for reference only. Data subject to change without notice.

Door Switch

Illustration Sheet and Catalog Number

Discount Schedule: C2
Subclass: DSO

Part Number	Switch Type	Suitable Wire
BL01350.0-00	Change Over (CO)	Round cable, stranded wire AWG 18 to 17 (with wire end ferrule)
BL01351.0-00	Normally Closed (NC)	Round cable, stranded wire AWG 18 to 16 (with wire end ferrule)

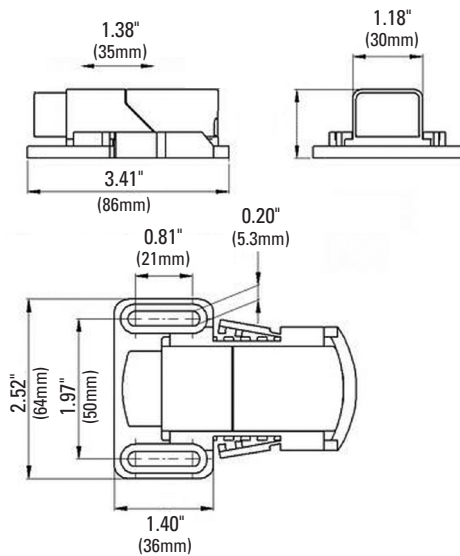
The door switch monitors the position of cabinet doors and is available in three versions. For example, it can be used for switching a light when opening a door (NC). The version with change over contact (CO) can be used as a normally closed and/or normally open contact. The wide mechanical adjustment range of the door switch offers versatile mounting; the housing is adjustable within a 1³/₈" (35mm) range, while the screw flange with a slotted hole offers an additional 1³/₁₆" (21mm). The travel of the switch is another 5⁷/₁₆" (8mm).



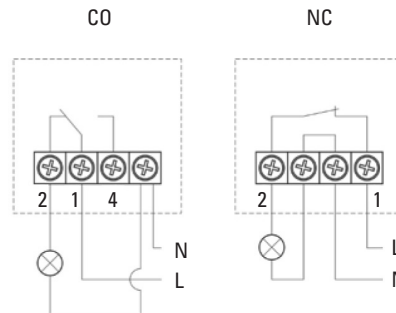
Technical Data

Maximum Switching Capacity	10A resistive / 1.5A inductive @ AC 250V
Service Life	VDE: > 10,000 cycles UL: > 6,000 cycles
Connection	4-pole clamp with strain relief, clamping torque 0.5 Nm maximum
Housing	plastic according to UL 94V-0, gray/black
Mounting	MS screws (not included)
Mounting Position	variable
Operating / Storage temperature	-4°F to +185°F (-20°C to +85°C)
Operating / Storage humidity	maximum 90% RH (non-condensing)
Dimensions	3.4" x 2.5" x 1.2" (87mm x 64mm x 30mm)
Weight	approximately 1.8 oz. (50g)
Protection Type	IP20
Approvals	UL & VDE intended

Dimensional Drawings



Wiring Diagrams



Notes: Dimensions are in inches. Millimeters shown are for reference only. Data subject to change without notice.

Electrical Accessories Receptacles

Illustration Sheet and Catalog Number



Discount Schedule: C2
Subclass: TH0

Receptacles for Enclosures

Catalog Number	Description
ER1	USA/Canada
ER2	Germany
ER3	France/Benelux
ER4	Switzerland
ER5	Great Britain/Ireland

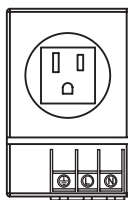
Provide a safe and convenient method for adding a receptacle/outlet inside electrical enclosures.

Technical Data

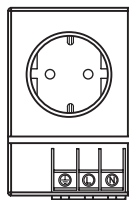
Maximum ratings:	15 amps @125 VAC
Mounting:	Clip for 35 mm DIN rail, EN 50022
Connection:	3xAWG14 max. (2.5 mm)
Dimensions:	3.6x2.4x1.9" (92x62x48 mm)



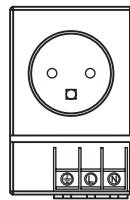
USA/Canada



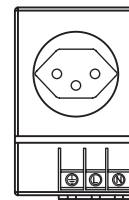
Germany



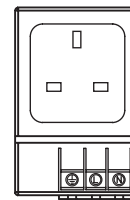
France



Switzerland



GB



Notes: Dimensions are in inches. Millimeters shown are for reference only. Data subject to change without notice.

Columns & Bases

Illustration Sheet and Catalog Number



Construction

- Columns are fabricated from (14) gauge steel and provide rigid support of mounted equipment
- Flanges are (10) gauge steel
- All continuous welded seams are finished smooth
- External and internal edges are rounded to prevent injury or damage to cables
- Column has a gasketed access plate
- Kit consisting of a box connector, gasket and hardware is furnished
- Top flange of angle column type is at a 60° angle to the floor
- Bases have hole pattern suitable for any size or type column
- Floor mounting holes and leveling screws provided with each base

Finish

- Wash and phosphate undercoat
- ANSI 61 gray polyester powder finish

Standards

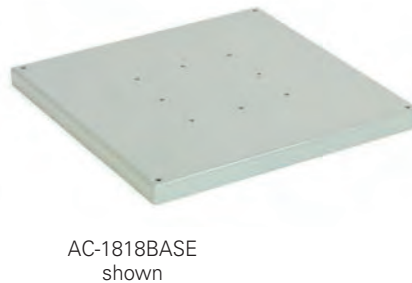
- Conforms to NEMA standard for Type 13 and Type 12

Application

- Enable floor mounting of various types of enclosures.
- Designed to support enclosures at a 60° angle to the floor

Discount Schedule: G2

Subclass: DR0



Columns

Catalog Number	Type	Column Size A x B Width x Depth		Access Opening Height x Width	
		in.	mm	in.	mm
AC-44COL	Straight	4.00x4.00	102x102	6.00x2.75	152x70
AC-44ACOL	Angled	4.00x4.00	102x102	6.00x2.75	152x70
AC-66COL	Straight	6.00x6.00	152x152	6.75x4.75	171x121
AC-66ACOL	Angled	6.00x6.00	152x152	6.75x4.75	171x121

Bases

Catalog Number	Base Size A x B		C	D
	Width in.	Depth mm		
AC-1818BASE	18.00x18.00	457x457	17.00x17.00	432x432
AC-2424BASE	24.00x24.00	610x610	23.00x23.00	584x584

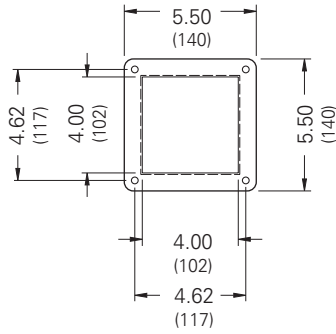
Notes: Dimensions are in inches. Millimeters shown are for reference only. Data subject to change without notice.

Columns & Bases

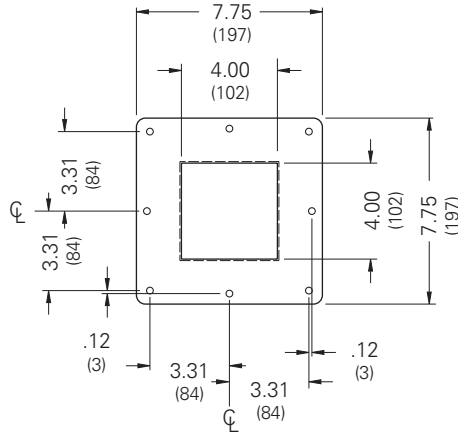
Illustration Sheet and Catalog Number

Flange Detail

4.00 x 4.00

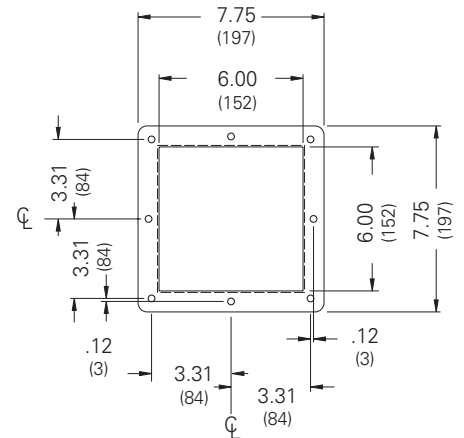


Top Flange

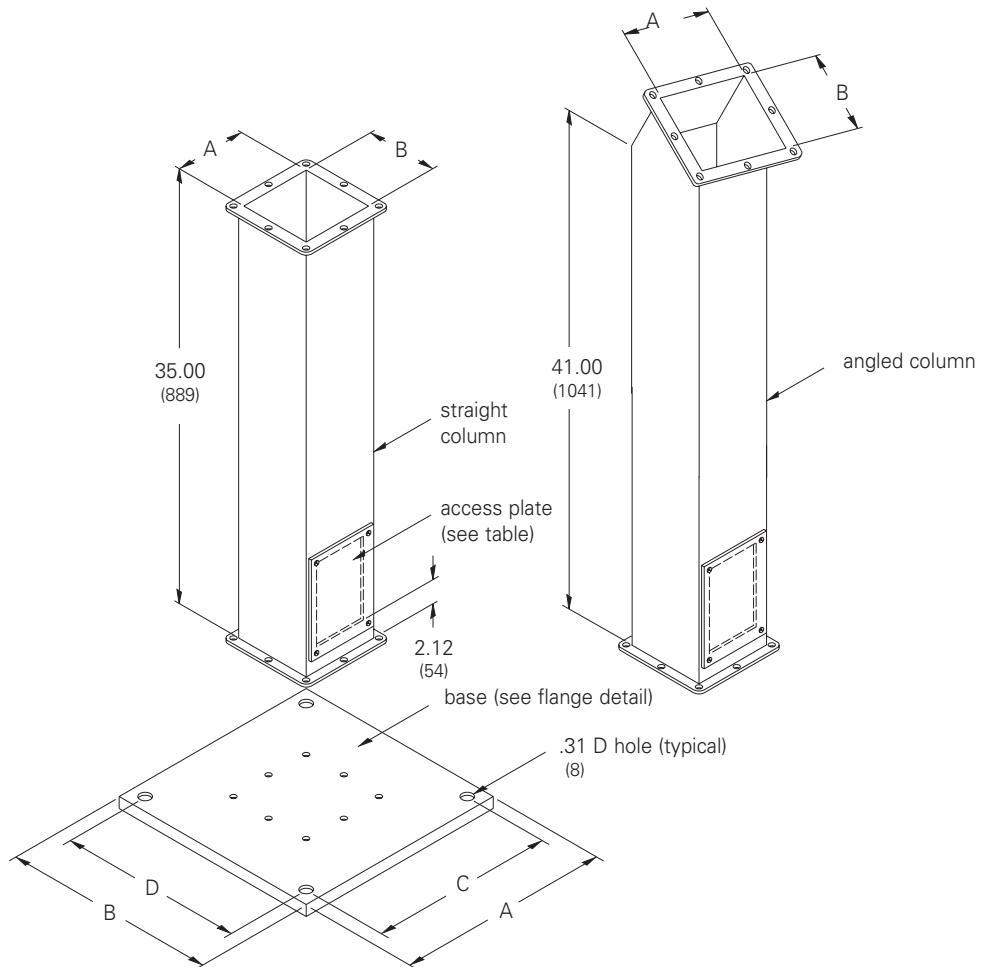


Bottom Flange

6.00 x 6.00



Top & Bottom Flange



Notes: Flange holes are .28 D. Flange radii are .37 R.
Dimensions are in inches. Millimeters shown are for reference only. Data subject to change without notice.

Disconnect Accessories

Illustration Sheet and Catalog Number

Discount Schedule: C2

Subclass: DSO

Operator Adapter Kits



AP-CH shown

Operator Adapter Kits

Catalog Number	Brand and Type of Operator	
ANSI 61 Painted	Stainless	
AP-ABFD	AP-ABFD SS	Allen-Bradley [†] 1494F and 1494D
AP-ABV	AP-ABV SS	Allen-Bradley [†] 1494V or 1494U
AP-CH	AP-CH SS	Cutler-Hammer [†] C361, C371/ABB Controls
AP-GE	AP-GE SS	General Electric [†] STDA
AP-ITE	AP-ITE SS	I-T-E Max-Flex [†]
AP-SD	AP-SD SS	Square D [†] Class 9422, (variable depth only)
AP-WAMT	AP-WAMT SS	Westinghouse [†] AMT (below handle) and Flex Shaft™

[†] Marks are the property of their respective owners.

Intended for use on all B-Line series disconnect enclosures with universal cutouts. Adapter kits are required to install a disconnect in B-Line series enclosures with universal mounts. Each kit contains an adapter plate and all parts used to interlock the disconnect operating mechanism with the master door. Installation instructions are included in each kit.

Blank Adapter Plates



Blank Adapter Plates

Catalog Number	Description	
ANSI 61 Painted	Stainless	
7.5 BAP	—	Wall-mounted Enclosures
10.5 BAP	10.5 BAP SS	Floor and Free-Standing Enclosures

Blank Adapter Plates are designed to cover the cut-outs in either the flange or center post on Disconnect Enclosures when the disconnect switch is not installed. Plates are constructed from 12 gauge steel. Each kit contains two plates, gasket, and hardware. The kit is designed to sandwich the gasket between the enclosure opening and exterior plate. The exterior plate has either an ANSI 61 gray enamel paint or stainless steel finish, the interior plate has a white enamel paint finish.

Notes: Dimensions are in inches. Millimeters shown are for reference only. Data subject to change without notice.

Hardware Illustration Sheet and Catalog Number

Hardware Packages

Hardware Packages

Catalog Number	Description	Typical Use	Quantity
10168	#8-32 x .375 inch self tapping steel screw	Perforated panels	20
10169	#10-32 screw	JIC 12 & 14, small 3R & 1 panel mtg	4
10240 A	#10-32 stainless screw	JIC 4X panel mtg	4
10242 A	.375-16 stainless flange nut	NEMA 4X panel mtg	4
10242 B	.375-16 stainless flange nut	NEMA 4X panel mtg	6
10242 C	.375-16 stainless flange nut	NEMA 4X panel mtg	8
10242 D	.375-16 stainless flange nut	NEMA 4X panel mtg	10
10243 A	.375-16 flange nut	NEMA 12 & 4, large 3R panel mtg	4
10243 B	.375-16 flange nut	NEMA 12 & 4, large 3R panel mtg	6
10243 C	.375-16 flange nut	NEMA 12 & 4, large 3R panel mtg	8
10243 D	.375-16 flange nut	NEMA 12 & 4, large 3R panel mtg	10
10108 A	Formed hinge and screw	RTHC cover mtg	2
10118 A	#10-32 gasketed screw	WPSC cover mtg	10
10129 A	Oval head screw, cupped washer	Type 1 telephone cabinet cover mtg	10
10119 A	#10-32 retaining screw & washer	JIC-SC, console, console, pushbutton cover mtg	10
10166 A	#10-32 x .50 inch steel screw	Miscellaneous cover mtg	20
10167 A	#10-32 x .50 inch stainless screw	Miscellaneous cover mtg	20
29645	#10-32 ground screw	Type 1 Junction Boxes	1
29646	#10-32 square flat screw	Screw Covers	2
79903873369	2 PC #10-32 DPTF SQ DR HW KIT		1
79903873370	#10-32 TF GROUND HARDWARE KIT		1

A variety of Hardware Packages intended to be used as replacement hardware parts for the different styles and types of B-Line series enclosures. For more information or for availability of other replacement parts consult the factory.

Discount Schedule: C2
Subclass: DS0

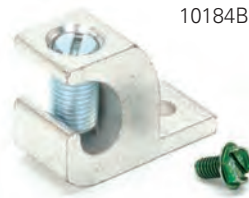
Hardware

Illustration Sheet and Catalog Number

Ground Lug Kits



10184A



10184B



10184C

Ground Lug Kits

Catalog Number	Wire Range	Fastener
10184 A	#6-#14 AWG CU/AL	#10-32
10184 B	1/0-#14 AWG CU/AL	#10-32
10184 C	250MCM-1/0 CU/AL	.25-20

Ground Lug Kits are intended to provide a means for equipment grounding for most enclosures. Lug sizes 1/0 and above have a "J" shaped design to lay-in wire and cable. The fastener is colored green to meet NEC standards for grounding devices.

Grounding Devices



GLK2



GS88



GS816

Grounding Device

Catalog Number	Description	Approximate Wire Size	Length Between Ring Terminals		Ring Terminal For Stud Diameter	
			in.	mm	in.	mm
GLK2	Grounding Kit	-	-	-	-	-
GS88	Grounding Strap	#8	8.00	203	.250	6
GS816	Grounding Strap	#8	16.00	406	.250	6
GS48	Grounding Strap	#4	8.00	203	.375	10
GS416	Grounding Strap	#4	16.00	406	.375	10

C.S.A. Grounding Kit is intended for use on Industrial Control Enclosures with panels where product must comply with Canadian Standards Association (C.S.A.) requirements. The kit includes hardware, labels and instructions for application. The grounding strap is used to provide electrical continuity between metal parts which must be electrically connected. The strap is stranded copper with a ring terminal at each end. The strap is insulated in green wrap.

Discount Schedule: C2
Subclass: DSO



GS48



GS416

Notes: Dimensions are in inches. Millimeters shown are for reference only. Data subject to change without notice.

Hardware

Illustration Sheet and Catalog Number

Sealing Device Packages



SEALS

SEALWN



SEALC

Sealing Device Packages

Catalog Number	Description	Quantity
SEALS	Wire seal screw	10
SEALWN	Wire seal wing nut	10
SEALC	Wire seal clip	10

Sealing hardware devices are used as replacement pieces for various enclosures and wireway. All hardware is plated.

Discount Schedule: C2

Subclass: DS0

Channel Nuts



Channel Nut Package

Catalog Number	Description	Quantity
TN228-20	Large, .375-16 thread	20
N624-20	Small, .25-20 thread	20
N627-20	Small, 10-32 thread	20

Channel Nuts are intended to be used on channel strut typically found in Consoles, Free-Standing, Terminal, and Disconnect Enclosures. There are two sizes of clamp nuts available. One size fits the 1.62 inch wide (large) channel; the other fits the .81 inch wide (small) channel. The small channel nuts come in two thread sizes (see table).

Discount Schedule: C2

Subclass: DS0

Touch-Up Paint

Touch-Up Paint

Catalog Number	Description
84033	White enamel
84034	ANSI 61 gray
84035	RAL 7035 light gray

Touch-Up Paint can be used to repair the finish of panels and enclosures. Paint is available in ANSI 61, RAL 7035, and White Enamel in 12oz. spray cans.



Notes: Dimensions are in inches. Millimeters shown are for reference only. Data subject to change without notice.

