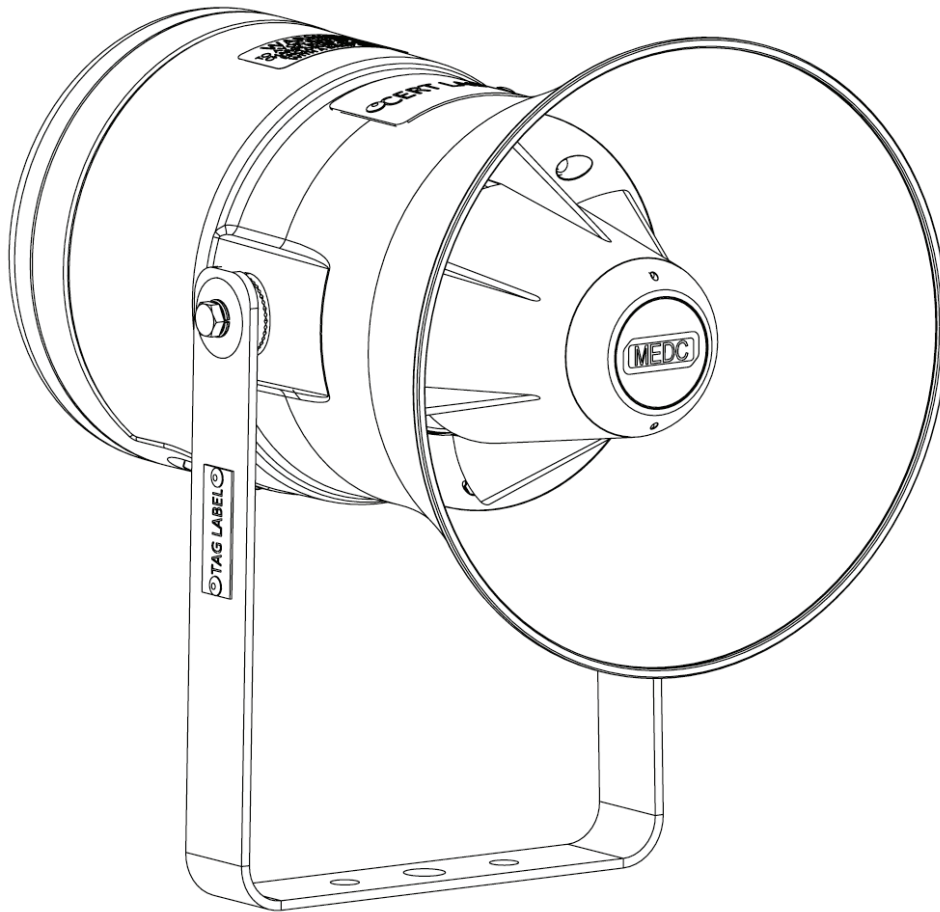


Technical manual

Loudspeaker – DB4B UL



EATON

Powering Business Worldwide

DISCLAIMER OF WARRANTIES AND LIMITATION OF LIABILITY

The information, recommendations, descriptions and safety notations in this document are based on Eaton Corporation's ("Eaton") experience and judgment and may not cover all contingencies. If further information is required, an Eaton sales office should be consulted. Sale of the product shown in this literature is subject to the terms and conditions outlined in appropriate Eaton selling policies or other contractual agreement between Eaton and the purchaser.

THERE ARE NO UNDERSTANDINGS, AGREEMENTS, WARRANTIES, EXPRESSED OR IMPLIED, INCLUDING WARRANTIES OF FITNESS FOR A PARTICULAR PURPOSE OR MERCHANTABILITY, OTHER THAN THOSE SPECIFICALLY SET OUT IN ANY EXISTING CONTRACT BETWEEN THE PARTIES. ANY SUCH CONTRACT STATES THE ENTIRE OBLIGATION OF EATON. THE CONTENTS OF THIS DOCUMENT SHALL NOT BECOME PART OF OR MODIFY ANY CONTRACT BETWEEN THE PARTIES.

In no event will Eaton be responsible to the purchaser or user in contract, in tort (including negligence), strict liability or otherwise for any special, indirect, incidental or consequential damage or loss whatsoever, including but not limited to damage or loss of use of equipment, plant or power system, cost of capital, loss of power, additional expenses in the use of existing power facilities, or claims against the purchaser or user by its customers resulting from the use of the information, recommendations and descriptions contained herein. The information contained in this manual is subject to change without notice.

Contents

1.0 INTRODUCTION	1
2.0 GENERAL SAFETY MESSAGES AND WARNINGS	1
3.0 INSTALLATION	1
Access to terminals	1
4.0 OPERATION	2
5.0 MAINTENANCE	3
6.0 CERTIFICATION/APPROVALS	4
T-Ratings	4
7.0 SPECIAL CONDITIONS FOR SAFE USE	4
8.0 FUNCTIONAL SAFETY	4
Introduction	4

1.0 Introduction

This range of loudspeakers, is intended for use in potentially explosive gas (G) or gas and dust (GD) atmospheres and has a power rating of up to 25 watts.

The enclosure is manufactured from a UV stable glass reinforced polyester with a rugged thermoplastic flare. Stainless steel mounting bracket, cover screws and fixings are incorporated throughout thus ensuring a corrosion free product.

A UL ordinary locations listed version is also available for use in non-explosive atmospheres.

2.0 General safety messages and warnings

All instructions and safety messages in this manual must be followed to allow safe installation of the device. The device must only be installed and maintained by correctly trained site personnel/installers.

- I. To reduce the risk of ignition of hazardous atmospheres and shock, do not apply power to the device until installation has been completed and the device is fully sealed and secured.
- II. To reduce the risk of ignition of hazardous atmospheres and shock, keep device tightly closed when the circuit is energised.
- III. Before removing the cover for installation or maintenance, ensure that the power to the device is isolated.
- IV. Following installation, test the device to ensure correct operation.
- V. Following installation ensure a copy of this manual is made available to all operating personnel.
- VI. When installing the device, requirements for selection, installation and operation should be referred to e.g. IEE Wiring Regulations and the 'National Electrical Code' in North America. Additional national and/or local requirements may also apply.
- VII. Cable termination should be in accordance with the specification applying to the required application. MEDC recommends that all cables and cores should be correctly identified. Please refer to the wiring diagram in this manual (or separate diagram provided with the unit).
- VIII. This is an Ex d product, correctly listed or certified explosion proof cable glands and stopping plugs must be used.
- IX. Ensure that only the correct listed or certified stopping plugs are used to blank off unused gland entry points and that the NEMA/IP rating of the unit is maintained.
- X. MEDC recommend the use of a sealing compound such as HYLOMAR PL32 on the threads of all glands and stopping plugs and/or a suitable sealing washer in order to maintain the IP rating of the unit.

- XI. The internal earth terminal  must be used for protective earthing when required. Do not remove the internal ground strap from the earth terminal.

For units with metric entries; gland continuity and earthing may be achieved with an optional external earth plate. If the external plate is fitted, a thread sealing compound such as HYLOMAR PL32 must be employed to maintain the IP rating of the unit.

An additional internal stud is provided for a noiseless

(clean) earth connection  where local codes or authorities permit or require such a connection.

- XII. When installing the device, MEDC recommends the use of stainless steel fasteners. Ensure that all nuts, bolts and fixings are secure.
- XIII. The unit should be positioned such that debris, dust or water cannot settle in the re-entrant horn.
- XIV. The unit should be positioned such that any solid object, not part of the equipment, is a minimum of 40mm from the Ex d flamepath joint.

3.0 Installation

The unit is mounted via 2 off Ø23/64" (Ø9mm) fixing holes in the U-shaped stirrup/mounting bracket. If required, the unit can be initially placed via the Ø33/64" (Ø13mm) central hole in the stirrup. The unit can then be rotated to the required position and fixed via the other holes.

If ordered with the unit, a swivel mounting bracket option is available to allow further rotational adjustment to the unit.

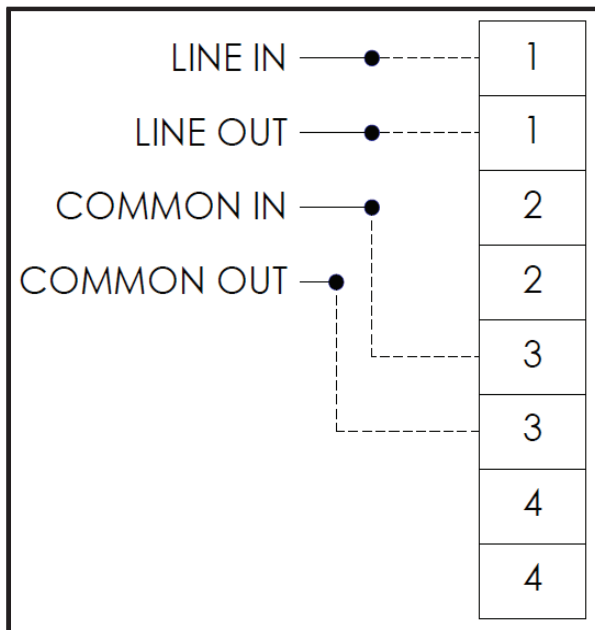
The fixing holes have been designed to accept an Ø5/16" (M8) screw or bolt.

Access to terminals

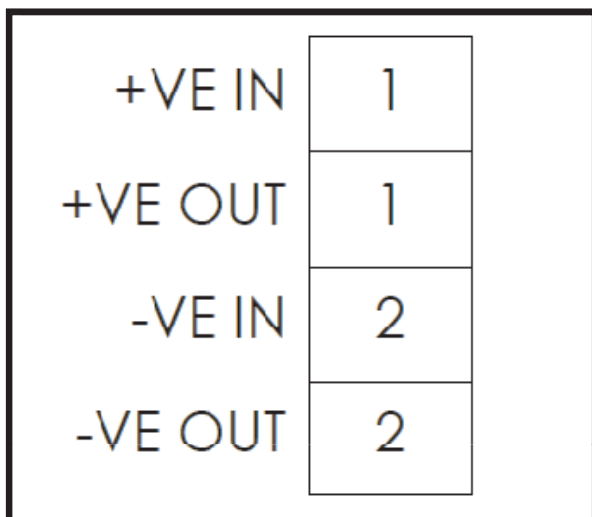
The cover is secured with 6 off M5 cover screws (4.0mm A/F hexagon key). Once the cover fixings are unscrewed, the cover can be lifted away from the enclosure to gain access to the interior. The cover fixings are captive and will remain in the cover.

Once termination is complete, carefully replace the cover assembly back onto the body, avoiding damage to the mating surfaces. Tighten the cover screws evenly. Ensure three O-ring is seated correctly on the cover during re-assembly. Ensure the required maximum gap of 0.00015" (0.0038mm) is maintained between the cover and the enclosure body once assembled.

Wiring details



DB4B STANDARD 70V LINE WIRING



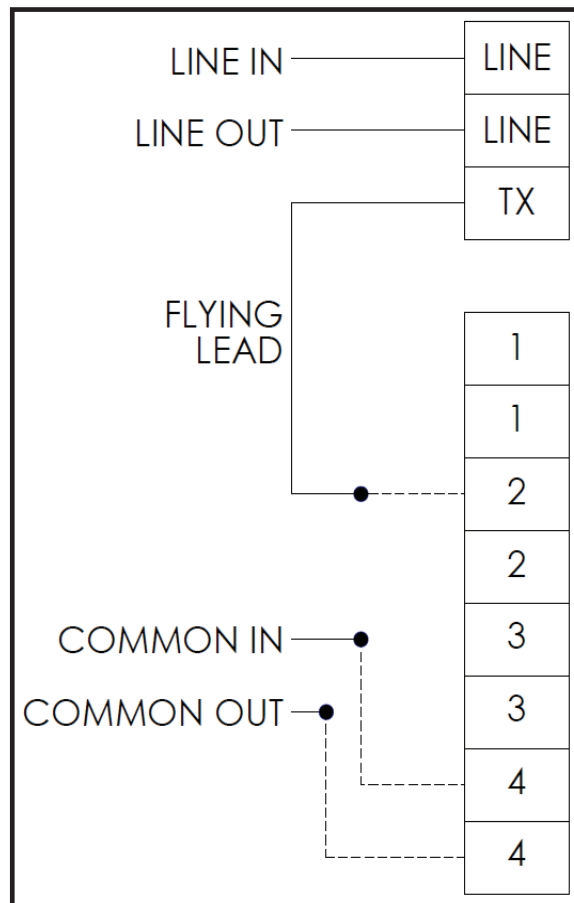
DB4B DIRECT CONNECTION (8Ω) WIRING

For standard 70V line units (Note: units with other line voltages are available if specified when ordering), connect power connections to numbered terminals to obtain the required power rating (see section 4 for tapping table). For loop-out connections, use second set of numbered terminals.

For direct connection 8 Ohm units, connect power from amplifier to terminals as detailed, taking note of maximum loudspeaker rating. Use second pair of terminals for loop-out connections as required.

DB4B 100V/70V/25V LINE WITH OPTIONAL CAP AND/OR PPTC

Connect 70V line connections to terminals marked 'line' on PCB, looping-out as required. Use supplied flying lead along with common loop-in, loop-out connections to select required power level (see section 4 for tapping table).



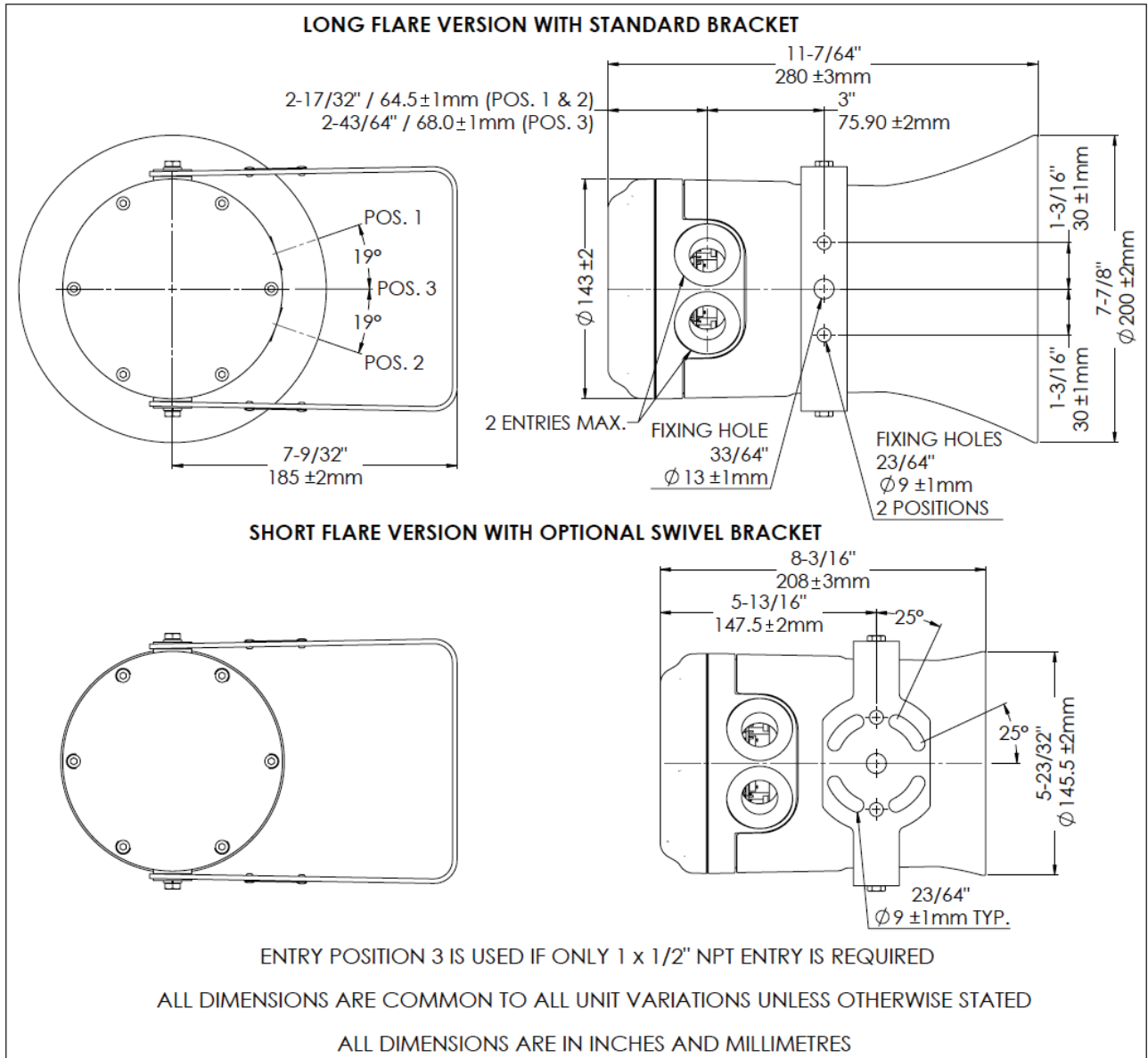
4.0 Operation

The line voltage and power rating of the unit is stated on the unit label. The speaker is available in 3 standard power ratings from 8 watts to 25 watts. Different sound levels can be obtained by selecting the transformer tapplings in the unit. See table below for details.

Alternatively if requested when ordered, the unit can be supplied with a direct 8Ohm connection to the driver for connecting to a suitable audio source.

Transformer tapplings	Power (W)		
	25W	15W	8W
1:2	25.0	15.0	8.0
2:3	12.5	7.5	4.0
3:4	6.0	5.0	2.0
1:3	4.0	4.0	1.5
2:4	2.0	2.0	0.7
1:4	1.0	0.8	0.4

General arrangement



5.0 Maintenance

During the working life of the unit, it should require little or no maintenance. GRP will resist attack by most acids, alkalis and chemicals and is as resistant to concentrated acids and alkalis as most metal products.

However, if abnormal or unusual environmental conditions occur due to plant damage or accident etc., then visual inspection is recommended.

If the unit requires cleaning, then only clean exterior with a damp cloth to avoid electro-static charge build up.

If a unit fault should occur, then the unit can be repaired by MEDC.

If you acquired a significant quantity of units, then it is recommended that spares are also made available. Please discuss your requirements with the Technical Sales Engineers at MEDC.

6.0 Certification/approvals

UL listed for use in USA (USL) and Canada (CNL)

Please refer to the marking on the unit for specific approval details

- (USL) Class I, Zone 1 AEx db IIC T*
Zone 21 AEx tb IIIC
- (CNL) Class I, Zone 1 Ex db IIC Gb T*
Class II, Zone 21 Ex tb IIIC Db

Also suitable for:

- Class I, Div. 2 Groups A, B, C, D
Class II, Div. 2, Groups F & G
Class III, Div. 1

Applicable Standards:

- (USL) UL 60079-0, Edition 7
UL 60079-1, Edition 7
ANSI/ISA 60079-31, Edition 2
UL-1480
- (CNL) CSA C22.2 No. 60079-0:11
CSA C22.2 No. 60079-1:11
CSA C22.2 No. 60079-31, Edition 2
CSA C22.2 No. 205-12

T-Ratings

Max. Power rating	T _{amb.}	T-ratings (T*)
8W	-67°F to +185°F (-55°C to +85°C)	T4/T135°C
	-67°F to +131°F (-55°C to +55°C)	T5/T100°C
	-67°F to +104°F (-55°C to +40°C)	T6/T85°C
15W	-67°F to +185°F (-55°C to +85°C)	T3/T200°C
	-67°F to +158°F (-55°C to +70°C)	T4/T135°C
	-67°F to +104°F (-55°C to +40°C)	T5/T100°C
25W	-67°F to +158°F (-55°C to +70°C)	T4/T135°C
	-67°F to +104°F (-55°C to +40°C)	T5/T100°C

7.0 Special conditions for safe use

- For replacement purposes the cover fixing screws shall be of stainless steel grade A2-70 or stronger.
- Painting and surface finishes, other than those applied by the manufacturer, are not permitted.
- When the unit is used in dust atmospheres the cable entries used shall be sealed to maintain

the IP6X rating, in accordance with the applicable installation codes.

- Warning** – Do not open when an explosive atmosphere is present.
- For supply connections, cable temperature rise 30K
- Warning** – to avoid electrostatic charge build up, clean enclosure with a damp cloth.
- Warning** – to reduce the risk of ignition of hazardous atmospheres, conduit openings must have a sealing fitting connected within 50mm of the enclosure.
- Warning** - This product is not nonincendive. It is a Zone 1 Ex d product. When used in a Division 2 application by equivalence, it must be installed as a Zone 1 Ex d product to maintain the type of protection.

8.0 Functional safety

Introduction

The DB4B Loudspeaker has been designed for use in potentially explosive atmospheres and harsh environmental conditions. The glass reinforced polyester enclosures are suitable for use offshore or onshore, where light weight combined with corrosion resistance is required.

The safety function of the Speaker is to provide an audible warning when required.

Under No fault (Normal) Operating conditions the DB4B Speaker will provide an audible warning sound when required by the system.

Under fault conditions the failure mode of the Speaker is a failure to provide an audible warning sound. For the failure rate associated with this failure mode please refer to the table below.

Assessment of functional safety

This Loudspeaker is intended for use in a safety system conforming to the requirements of IEC61508.

UL has conducted a Failure Modes Effect and Diagnostic Analysis (FMEDA) of the DB4B Loudspeaker against the requirements of IEC 61508-2 using a Proof Test Interval of 8760hrs.

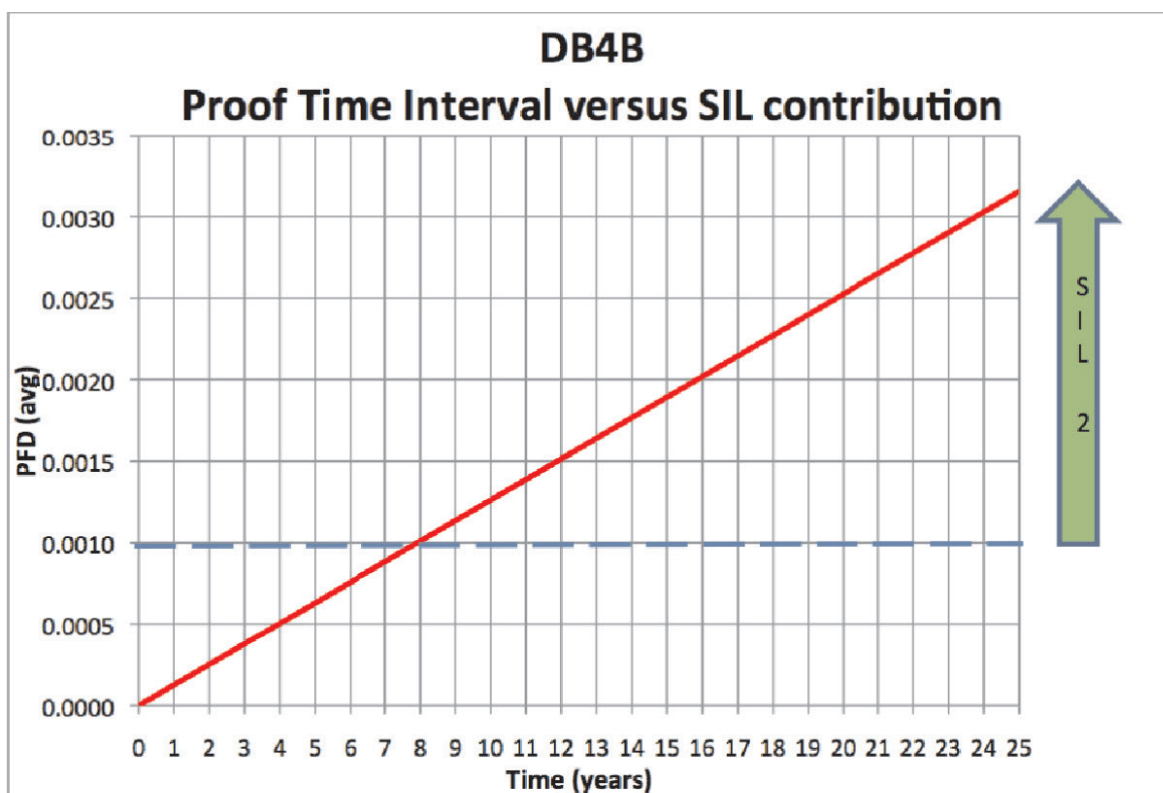
The results are shown right and are based on Route 1_H.

The Speaker is classed as a Type A device.

DB4B Speaker

Safety function of the DB4B speaker:
‘To raise an audible warning sound when required

Architectural constraints:	Type A HFT=0 SFF= 71.5%	Proof Test Interval =8760Hrs MTTR = 8 Hrs	SIL2
Random hardware failures:	$\lambda_{DD} = 0$ $\lambda_{DU} = 2.88E-08$	$\lambda_{SD} = 0$ $\lambda_{SU} = 7.22E-08$	
Probability of failure on demand:	$PFD_{AVG} = 1.26E-04$ (Low Demand Mode)		SIL3
Probability of Dangerous failure on safety function:	$PFH = 2.88E-08$ (High Demand Mode)		SIL3
Hardware safety integrity compliance ^[1]		Route 1 _H	
Systematic safety integrity compliance		Route 1 _S	
Systematic Capability		SC2	
Overall SIL-capability achieved		SIL 2 (Low Demand)* SIL 2 (High Demand)* *Limited to SIL 2 due to SFF value	



Conditions of safe use

The following conditions apply to the installation, operation and maintenance of the assessed equipment. Failure to observe these may compromise the safety integrity of the assessed equipment:

1. The user shall comply with the requirement given in the manufacturer’s user documentation (This safety Manual and Technical manual) in regard to all relevant functional safety aspects such as application of use, installation, operation, maintenance, proof tests, maximum ratings, environmental conditions, repair, etc;
2. Selection of this equipment for use in safety functions and the installation, configuration, overall validation, maintenance and repair shall only be carried out by competent personnel, observing all the manufacturer’s conditions and recommendations in the user documentation.
3. **All informations associated with any field failures of this product should be collected under a dependability management process (e.g., IEC 60300-3-2) and reported to the manufacturer.**
4. The unit should be tested at regular intervals to identify any malfunctions; in accordance with this safety manual.

Contents

1.0 INTRODUCTION	7
2.0 MESSAGES ET AVERTISSEMENTS DE SÉCURITÉ GÉNÉRALE	7
3.0 INSTALLATION	7
Accès aux bornes	7
4.0 FONCTIONNEMENT	8
5.0 MAINTENANCE	9
6.0 CERTIFICATION/AUTORISATIONS	10
T-nominale	10
7.0 CONDITIONS SPÉCIALES POUR UNE UTILISATION SÛRE	10
8.0 SÉCURITÉ FONCTIONNELLE	10
Introduction	10

1.0 Introduction

Cette gamme de haut-parleurs est destinée à une utilisation dans des atmosphères potentiellement explosives de gaz (G) ou de gaz et de poussière (GD) et a une puissance nominale de 25 watts.

Le boîtier est fabriqué à partir d'un polyester renforcé de verre stable aux UV avec un cornet en thermoplastique robuste. Un support de montage en acier inoxydable, des vis et fixations de couvercle sont incorporés tout au long, assurant ainsi un produit sans corrosion.


Une version pour les emplacements ordinaires listés UL est également disponible pour une utilisation en atmosphères non explosives.


2.0 Messages et avertissements de sécurité générale

Toutes les instructions et les messages de sécurité dans ce manuel doivent être suivies pour permettre l'installation sécuritaire de l'appareil. L'appareil ne doit être installé et entretenu que par du personnel correctement formé sur site / des installateurs.

- I. Pour réduire le risque d'inflammation d'atmosphères dangereuses et les chocs, ne pas brancher l'appareil jusqu'à ce que l'installation a été achevée et que le dispositif est entièrement étanche et sécurisé.
- II. Pour réduire le risque d'inflammation d'atmosphères dangereuses et les chocs, conservez l'appareil hermétiquement fermé lorsque le circuit est sous tension.
- III. Avant de retirer le couvercle pour l'installation ou l'entretien, veillez à ce l'appareil est débranché.
- IV. Après l'installation, testez le dispositif pour assurer un fonctionnement correct.
- V. Après l'installation, s'assurer qu'une copie de ce manuel est mis à la disposition de tout le personnel d'exploitation.
- VI. Lors de l'installation de l'appareil, les exigences pour la sélection, l'installation et le fonctionnement doivent se faire conformément aux règlements IEE de câblage et du "National Electrical Code" en Amérique du Nord. Des exigences nationales et / ou locales supplémentaires peuvent s'appliquer.
- VII. La connexion des câbles doit être conforme aux spécifications s'appliquant à l'application requise. MEDC recommande que tous les câbles et fils soient correctement identifiés. Veuillez consulter le schéma de câblage dans le manuel (ou diagramme séparé fourni avec l'unité).
- VIII. Ceci est un produit Ex d, pour cette raison, des presse-étoupes antidéflagrants et des bouchons d'arrêt correctement répertoriés ou certifiés doivent être utilisés.
- IX. S'assurer que seul les bouchons répertoriés corrects ou certifiés sont utilisés pour obturer les points d'entrée des presse-étoupes inutilisés et que l'indice IP/NEMA de l'unité est maintenu.
- X. MEDC recommande l'utilisation d'un produit d'étanchéité type HYLOMAR PL32 sur les filets de

tous les presse-étoupes et bouchons et/ou d'une rondelle d'étanchéité appropriée afin de maintenir l'indice IP de l'unité.

- XI. La borne de terre interne  doit être utilisée pour une mise à la terre de protection lorsque nécessaire. Ne pas retirer la tresse de masse de la borne de terre. Pour les unités avec entrées métriques ; la continuité du presse-étoupe et la mise à la terre peuvent être réalisés avec une plaque de masse externe en option. Si la plaque externe est montée, un composé d'étanchéité de filetage comme HYLOMAR PL32 doit être employé pour maintenir la classification IP de l'appareil.

Une tige interne supplémentaire est fournie pour une connexion de terre sans bruit (propre)  là où les codes locaux ou les autorités autorisent ou requièrent une telle connexion.

- XII. Lors de l'installation de l'appareil, MEDC recommande l'utilisation d'éléments de fixation en acier inoxydable. S'assurer que tous les écrous, boulons et fixations sont sécurisés.
- XIII. L'unité doit être positionnée de telle sorte que les débris, la poussière ou l'eau ne puissent pas s'installer dans la corne rentrante.
- XIV. L'unité doit être positionnée, de telle sorte que tout objet solide ne faisant pas partie de l'équipement, soit au minimum à 40 mm du joint Ex d flamepath.

3.0 Installation

L'unité est montée au moyen de 2 trous de fixation hors Ø23/64" (Ø9 mm) dans le support de montage/étrier en forme d'U. Si nécessaire, l'unité peut être initialement placée au moyen du trou central Ø33/64" (Ø13 mm) de l'étrier. L'unité peut ensuite être tournée à la position désirée et fixée au moyen des autres trous.

S'il est commandé avec l'unité, un support de montage pivotant optionnel est disponible pour permettre un plus ample réglage rotationnel de l'unité.

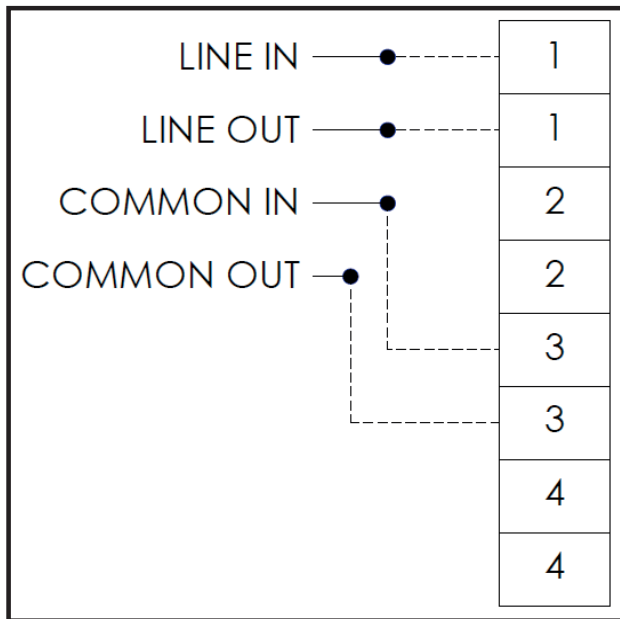
Les trous de fixation ont été conçus pour accepter une vis ou un boulon Ø5/16" (M8).

Accès aux bornes

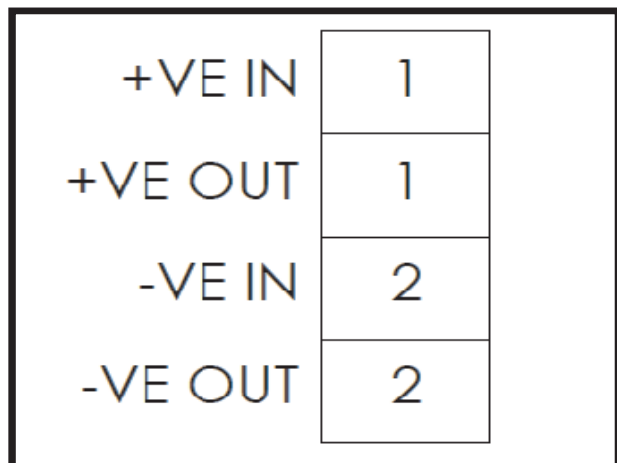
Le couvercle est fixé avec 6 vis de couvercle M5 (4,0 mm A/F clé hexagonale). Une fois que les fixations du couvercle sont dévissées, le couvercle peut être soulevé de l'enceinte pour accéder à l'intérieur. Les fixations du couvercle sont captives et resteront dans le couvercle.

Une fois que la fixation au bornier est terminée, remplacez soigneusement l'ensemble du couvercle sur le corps, en évitant d'endommager les surfaces de contact. Serrez les vis du couvercle uniformément. Assurez-vous que le joint torique est correctement placé sur le couvercle pendant le remontage. Assurez-vous que l'écart maximum requis de 0,0015" (0,038 mm) est maintenu entre le couvercle et le corps du boîtier une fois assemblés.

Détails de câblage



DB4B STANDARD 70 V CÂBLAGE DE LIGNE



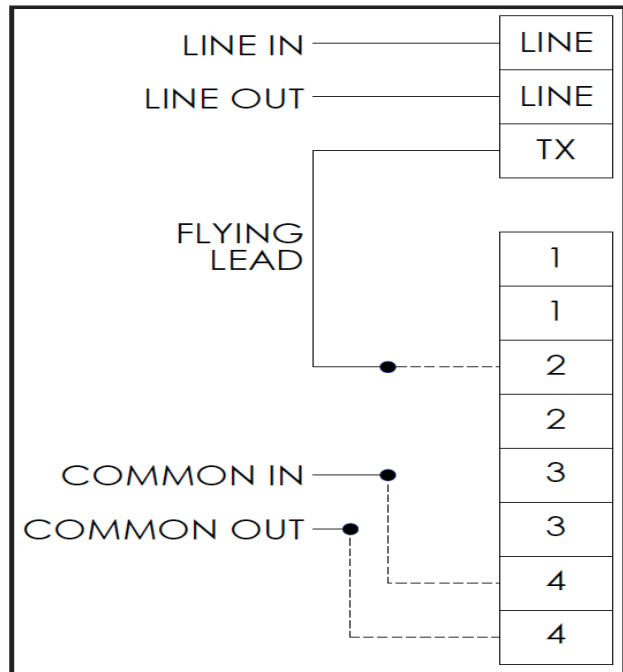
DB4B CÂBLAGE CONNEXION DIRECTE (8Ω)

Pour les lignes de 70 V standard (Remarque: des unités avec d'autres tensions de lignes sont disponibles si elles sont spécifiées lors de la commande), branchez les connexions électriques aux bornes numérotées pour obtenir la puissance nécessaire voir la section 4 pour le tableau de taroudage). Pour les boucles de connexion, utilisez le second jeu de bornes numérotées.

Pour les connexions directes à 8 Ohm, connectez l'alimentation de l'amplificateur aux bornes comme détaillé, en prenant note de la puissance maximale du haut-parleur. Utilisez une seconde paire de bornes pour les boucles de connexion si nécessaire.

DB4B 100 V/70 V/25 V LIGNE AVEC CAPUCHON EN OPTION ET/OU PPTC

Branchez les connexions de ligne 70 V aux bornes marquées " ligne " sur la carte de circuit imprimé, avec une boucle de sortie si nécessaire. Utilisez le câble volant fourni avec les connexions communes de boucles entrée, sortie pour sélectionner le niveau de puissance requis (voir section 4 pour tableau de taroudage).



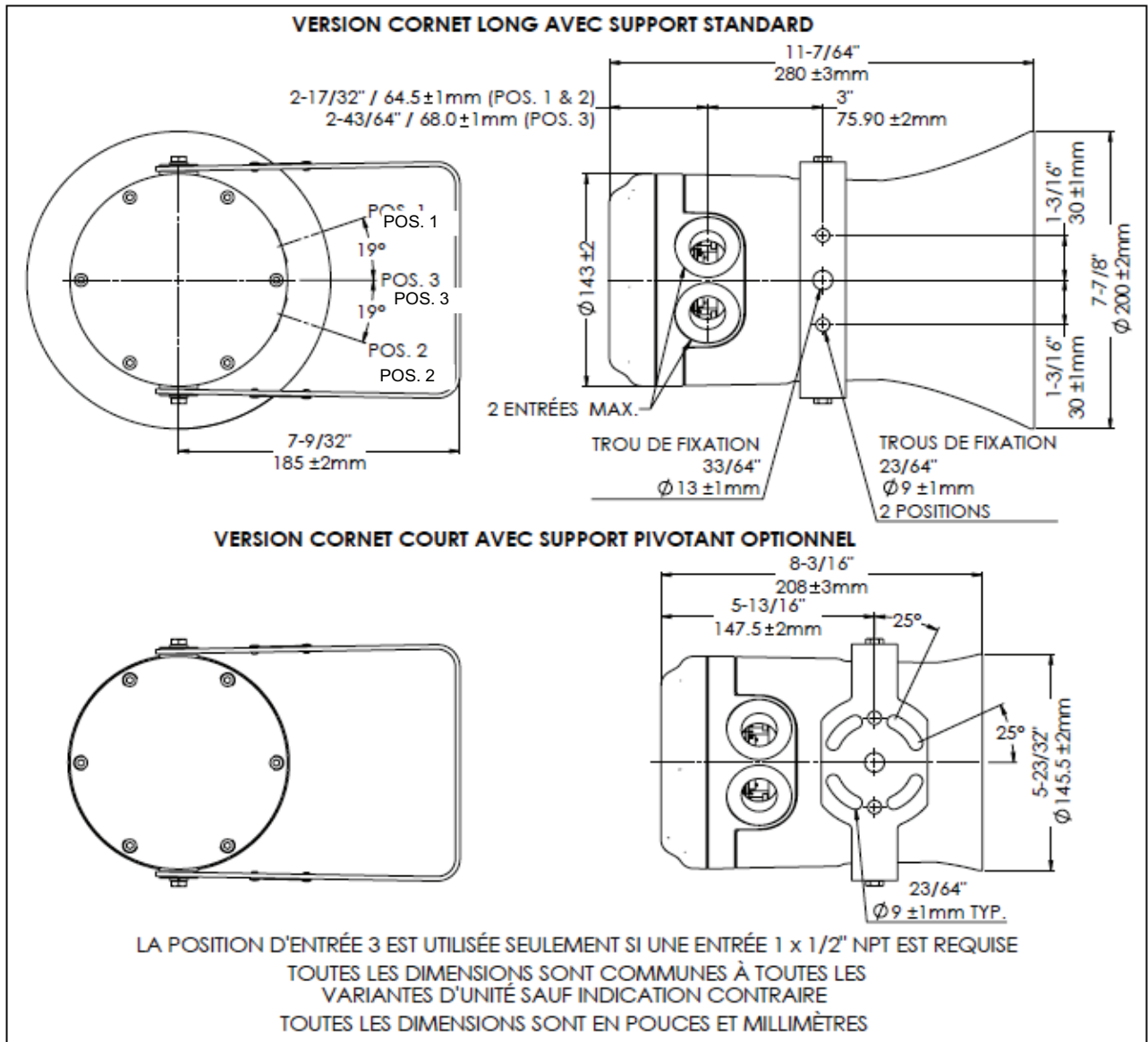
4.0 Fonctionnement

La tension de la ligne et la puissance nominale de l'unité sont inscrites sur l'étiquette de l'unité. Le haut-parleur est disponible en standard en 3 puissances de 8 watts à 25 watts. Différents niveaux sonores peuvent être obtenues en sélectionnant le piquage du transformateur dans l'unité. Voir tableau ci-dessous pour plus de détails.

De manière alternative, si cela était demandé à la commande, l'unité peut être fournie avec une connexion directe de 8 Ohm au pilote pour connecter une source audio appropriée.

Piquages du transformateur	Puissance (W)		
	25 W	15 W	8 W
1:2	25,0	15,0	8,0
2:3	12,5	7,5	4,0
3:4	6,0	5,0	2,0
1:3	4,0	4,0	1,5
2:4	2,0	2,0	0,7
1:4	1,0	0,8	0,4

Disposition générale



5.0 Maintenance

Pendant la durée de vie de l'unité, celle-ci devrait exiger peu ou pas d'entretien. GRP résistera à l'attaque de la plupart des acides, des alcalis et des produits chimiques et est aussi résistant aux acides et aux alcalis concentrés comme la plupart des produits métalliques.

Toutefois, si des conditions environnementales anormales ou inhabituelles se produisent en raison de dommages à l'installation ou d'accident, etc., alors un contrôle visuel est recommandé.

Si l'unité nécessite un nettoyage, alors nettoyer seulement l'extérieur avec un chiffon humide pour éviter l'accumulation de charges électrostatiques.

En cas de panne, l'unité peut être réparée par MEDC.

Si vous avez acquis une importante quantité d'unités, il est alors recommandé de prévoir des pièces de rechange disponibles. Veuillez discuter de vos besoins avec les ingénieurs technico-commerciaux de MEDC.

6.0 Certification/autorisations

Listé UL pour utilisation aux USA (USL) et Canada (CNL)

Veillez vous référer au marquage sur l'unité pour plus de détails des approbations spécifiques

(USL) Class I, Zone 1 AEx db IIC T*
Zone 21 AEx tb IIIC

(CNL) Class I, Zone 1 Ex db IIC Gb T*
Class II, Zone 21 Ex tb IIIC Db

Convient également pour :

Class I, Div. 2 Groups A, B, C, D
Class II, Div. 2, Groups F & G
Class III, Div. 1

Normes applicables :

(USL) UL 60079-0, Edition 7
UL 60079-1, Edition 7
ANSI/ISA 60079-31, Edition 2
UL-1480

(CNL) CSA C22.2 No. 60079-0:11
CSA C22.2 No. 60079-1:11
CSA C22.2 No. 60079-31, Edition 2
CSA C22.2 No. 205-12

T-nominale

Puissance max. nominale	T _{amb.}	T-nominale (T*)
8W	-67 °F à +185 °F (-55 °C à +85 °C)	T4/T135 °C
	-67 °F à +131 °F (-55 °C à +55 °C)	T5/T100 °C
	-67 °F à +104 °F (-55 °C à +40 °C)	T6/T85 °C
15W	-67 °F à +185 °F (-55 °C à +85 °C)	T3/T200 °C
	-67 °F à +158 °F (-55 °C à +70 °C)	T4/T135 °C
25W	-67 °F à +158 °F (-55 °C à +70 °C)	T4/T135 °C
	-67 °F à +104 °F (-55 °C à +40 °C)	T5/T100 °C

7.0 Conditions spéciales pour une utilisation sûre

- En cas de remplacement, les vis de fixation du couvercle seront en acier inoxydable de grade A2-70 ou plus.
- La peinture et la finition des surfaces, différentes de celles appliquées par le fabricant, ne sont pas autorisées.
- Quand l'unité est utilisée dans une atmosphère poussiéreuse, les entrées de câbles utilisées doivent être scellées afin de maintenir l'indice IP6X suivant les

codes d'installation applicables.

- Avertissement** – Ne pas ouvrir quand une atmosphère explosive est présente.
- Pour des connexions d'alimentation, augmentation de la température du câble 30K.
- Avertissement** – pour éviter l'accumulation de charges électrostatiques, nettoyez le boîtier avec un chiffon humide.
- Avertissement** – afin de réduire le risque d'inflammation des atmosphères dangereuses, les ouvertures de conduits doivent avoir un raccord étanche relié à 50mm de l'enceinte.
- Avertissement** – Ce produit n'est pas non incendiaire. Il s'agit d'un produit Zone 1 Ex d. Lorsqu'il est utilisé dans une application de division 2 par équivalence, il doit être installé en tant que produit Zone 1 Ex d pour maintenir le type de protection.

8.0 Sécurité fonctionnelle

Introduction

Le haut-parleur DB4B a été conçu pour être utilisé dans des atmosphères potentiellement explosives et des conditions environnementales sévères. Les boîtiers en polyester renforcé de fibres de verre sont adaptés à une utilisation off-shore ou on-shore, où un poids léger et un haut niveau de résistance à la corrosion sont nécessaires.

La fonction de sécurité du diffuseur sonore est de fournir un avertissement sonore lorsque nécessaire.

Dans des conditions de fonctionnement sans défaillance (normales), le haut-parleur DB4B émet un avertissement sonore sur demande du système.

En cas de panne/défaillance, le mode de panne du haut-parleur est indiqué par l'échec de l'émission de l'avertissement sonore. Pour de plus amples détails sur le taux d'échec/défaillance associé à ce mode de panne, voir le tableau ci-dessous.

Évaluation de sécurité fonctionnelle

Ce haut-parleur est destiné à être utilisé dans un système de sécurité conforme aux exigences IEC61508.

UL a procédé à une étude «Effet des modes de panne et analyse du diagnostic» (Failure Modes Effect and Diagnostic Analysis: FMEDA) sur le haut-parleur DB4B par rapport aux exigences IEC 61508-2, avec un intervalle entre essais de sûreté de 8760 heures.

Les résultats sont présentés à droite et sont basés sur la Route 1_H.

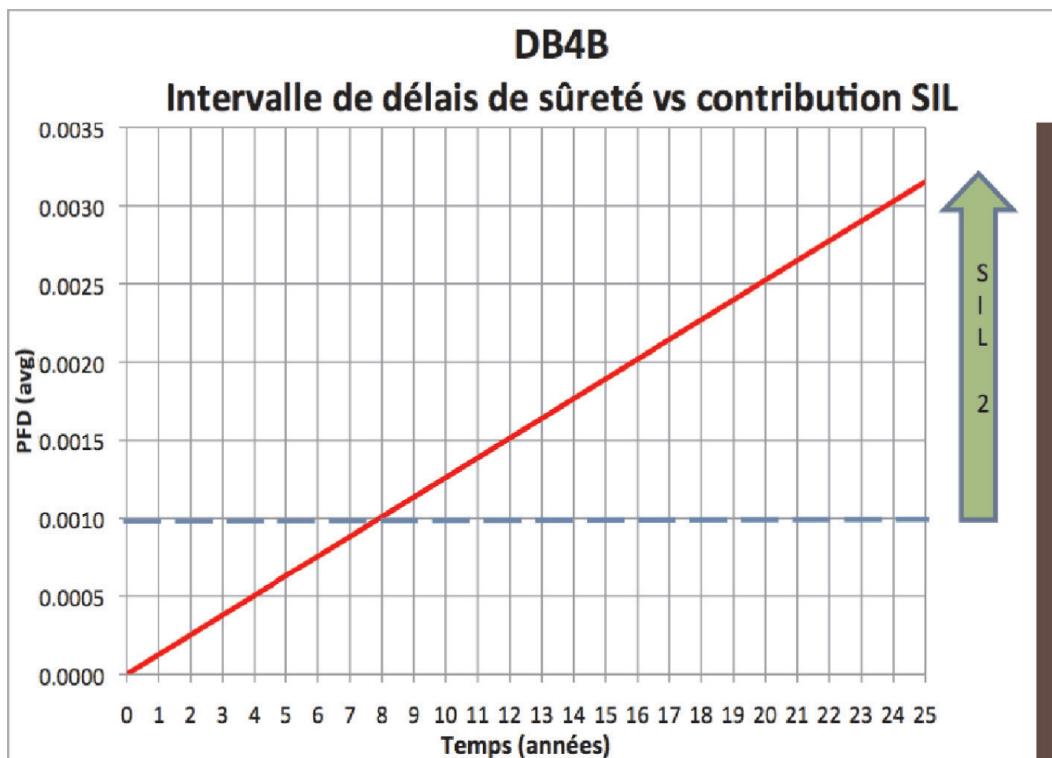
Le haut-parleur a été classé comme appareil de type A.

haut-parleur DB4B

Fonction de sécurité du diffuseur sonore DB4B :
« Émettre un avertissement sonore lorsque nécessaire »

Contraintes architecturales :	Type A HFT = 0 SFF = 71,5 %	Intervalle entre essais de sûreté = 8 760 heures MTTR (moyenne des temps techniques de réparation) = 8 heures	SIL2
Défaillances de matériel aléatoires :	$\lambda_{DD} = 0$ $\lambda_{DU} = 2,88E-08$	$\lambda_{SD} = 0$ $\lambda_{SU} = 7,22E-08$	
Probabilité de défaillance sur demande :	$PFD_{AVG} = 1,26E-04$ (mode demande faible)		SIL3
Probabilité de défaillance dangereuse sur fonction de sécurité :	$PFH = 2,88E-08$ (mode demande élevée)		SIL3
Conformité d'intégrité de sécurité du matériel ⁽¹⁾		Route 1 _H	
Conformité d'intégrité de sécurité systématique		Route 1 _S	
Capacité systématique		SC2	
Capacité SIL globale atteinte		SIL 2 (demande faible)* SIL 2 (demande élevée)*	

*Limitée à SIL 2 en raison de la valeur SFF

**Conditions d'utilisation sécurisée**

Les conditions suivantes s'appliquent à l'installation, au fonctionnement et à l'entretien de l'équipement évalué. Le non-respect de ces conditions peut compromettre l'intégrité de sécurité de l'équipement évalué :

1. L'utilisateur est tenu de se conformer aux exigences énoncées dans la documentation utilisateur fournie par le fabricant (ce Manuel de sécurité et Manuel technique) concernant tous les aspects appropriés de fonctionnement sécurisé, tels que les applications d'utilisation, l'installation, le fonctionnement, l'entretien, les essais de sûreté, les taux maximum, les conditions environnementales, les réparations, etc.
2. Le choix de cet équipement en vue d'une utilisation de ses fonctions de sécurité, ainsi que son installation, sa configuration, sa validation globale, son entretien et toutes réparations, ne doit être effectué que par du personnel compétent dans le respect des conditions et recommandations émises par le fabricant dans la documentation utilisateur.
3. **Toutes les informations relatives à une quelconque défaillance de fonctionnement de ce produit doivent être collectées dans le cadre d'un processus de gestion de la fiabilité (par ex. : IEC 60300-3-2) et transmises au fabricant.**
4. L'unité doit être testée à intervalles réguliers afin d'identifier tout dysfonctionnement, conformément à ce manuel de sécurité.

