

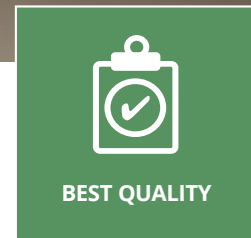
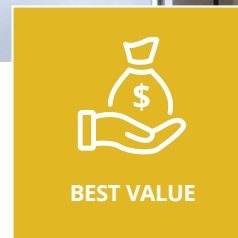
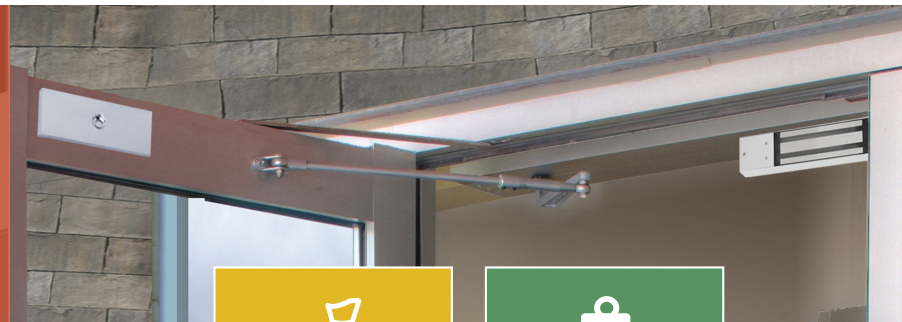
CX-91 Series 600 lbs. & 1200 lbs. Single Door Magnetic Locks



CX-91S-06/CX-91S-12:
UL 1034 / UL 294
CX-91M-06: UL864
Standard for Burglary-
Resistant Electric
Locking Mechanisms



CX-91S-06/ CX-91S-12:
ULC S533-15
CX-91M-06: ULC S527
Standard for
Access and Egress



CX-91 Series 600 lbs. & 1200 lbs. Single Door Surface and Mortise Mount Magnetic Locks offer the best performance and value.

A built-in 'TDS' option provides an adjustable timer, lock sensor, relay and LED. The TDS option also includes a door status switch.

Camden's Magnetic Locks are easily installed with a convenient metal mounting template, included with the unit. They are also supported with a range of lock mounting accessories, including kits for glass doors.

The vandal resistant construction is built to last and is covered by a lifetime warranty!

Features

- Vandal resistant construction proven over thousands of installations
- Surface and mortise mount models
- Compatible with all access / egress systems
- Field selectable 12/24 VDC operation
- On board MOV power surge protection prevents damage to the magnetic lock
- A range of mounting brackets and spacers available



SPECIFICATIONS

VOLTAGE: 12/24 VDC

CURRENT DRAW: **CX-91S-06:** 480mA @ 12VDC, 240mA @ 24VDC
TDS: 510mA @ 2VDC, 285mA @ 24VDC
CX-91M-06: 500mA @ 12VDC, 250mA @ 24VDC
TLS: 505mA @ 12VDC, 280mA @ 24VDC

CONTACT RATING: TDS/TLS models only:
 Bond Sensor: 2A @ 24VDC | Door Status Switch: 0.5A @ 28V AC/DC

STATIC STRENGTH: CX-91S-06 : 600 lbs. (272 kg.) | CX-91S-12TDS : 1200 lbs. (544 kg.)
 CX-91M-06 : 600 lbs. (272 kg.)

TEMPERATURE RANGE: 32°F - 131°F (0°C to 55°C)

TIME DELAY: TDS/TLS models only: 5 - 25 seconds

Body Dimensions:

CX-91S-06: 9-7/8"W x 2"H x 1-1/8"D (250mm x 50mm x 28mm)
 CX-91M-06: 9"W x 1-1/2"H x 1-1/8"D (229mm x 38mm x 28mm)
 CX-91S-12: 10-1/2"W x 2-5/8"H x 1-9/16"D (266mm x 67mm x 39mm)

Armature Plate Dimensions:

CX-91S-06: 7-1/4"W x 1-1/2"H x 15/32"D (185mm x 38mm x 12mm)
 CX-91S-12: 7-9/32"W x 2-13/32"H x 5/8"D (185mm x 61mm x 16.5mm)

ORDERING INFORMATION

MODELS

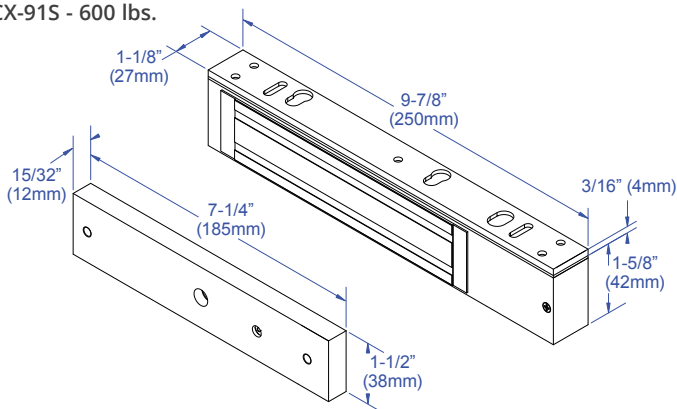
CX-91S-06	600 lbs. Surface Mount Single Door - Basic
CX-91S-06TDS	600 lbs. Surface Mount Single Door - With adjustable timer, door status switch, lock sensor, relay and LED
CX-91M-06	600 lbs. Mortise Mount Single Door - Basic
CX-91M-TLS	600 lbs. Mortise Mount Single Door - With adjustable timer, door status switch, lock sensor and relay
CX-91S-12	1200 lbs. Surface Mount Single Door - Basic
CX-91S-12TDS	1200 lbs. Surface Mount Single Door - With adjustable timer, door status switch, lock sensor, relay and LED

ALL-BLACK FINISH

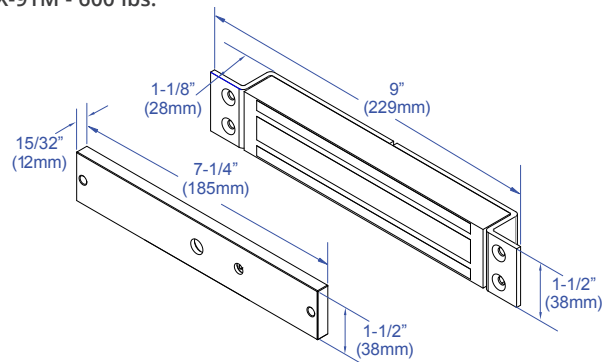
CX-91S-06-BK	600 lbs. Surface Mount Single Door - Basic - All-black finish
CX-91S-06TDS-BK	600 lbs. Surface Mount Single Door - With adjustable timer, door status switch, lock sensor, relay and LED - All-black finish
CX-91S-12-BK	1200 lbs. Surface Mount Single Door - Basic - All-black finish
CX-91S-12TDS-BK	1200 lbs. Surface Mount Single Door - With adjustable timer, door status switch, lock sensor, relay and LED - All-black finish

DIMENSIONS

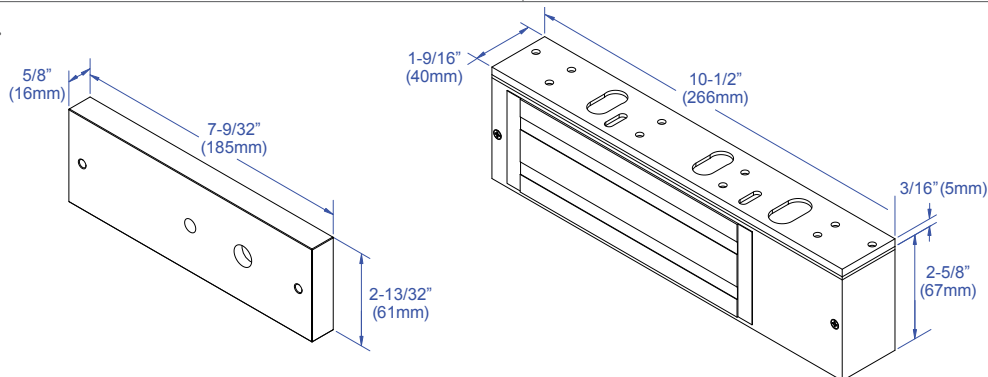
CX-91S - 600 lbs.



CX-91M - 600 lbs.



CX-91S - 1200 lbs.



Opening New Doors to Innovation, Quality, and Support!

2395 Skymark Ave, Mississauga, ON Canada L4W 4Y6 • Toll Free: 1(877) 226-3369 (CAMDEN9)
 Tel: (905) 366-3377 | Fax: (905) 366-3378 | E-mail: info@camdencontrols.com | www.camdencontrols.com

