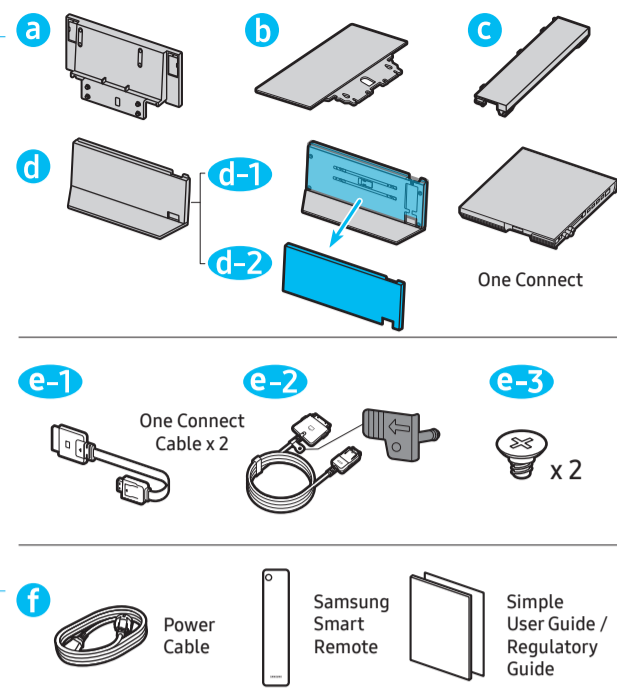
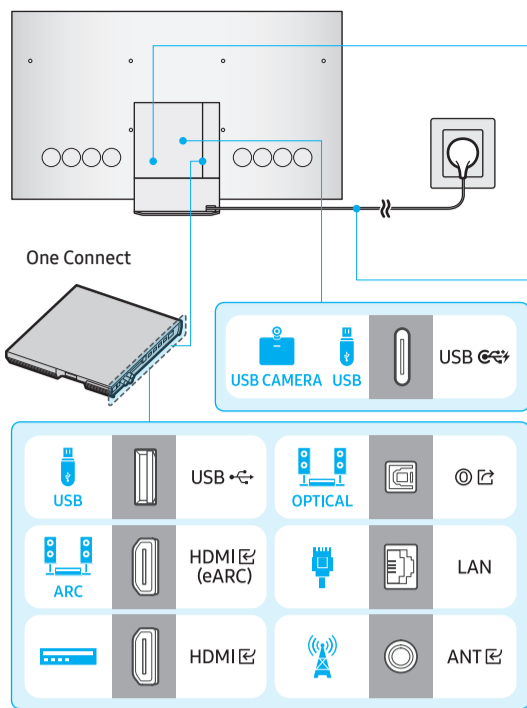
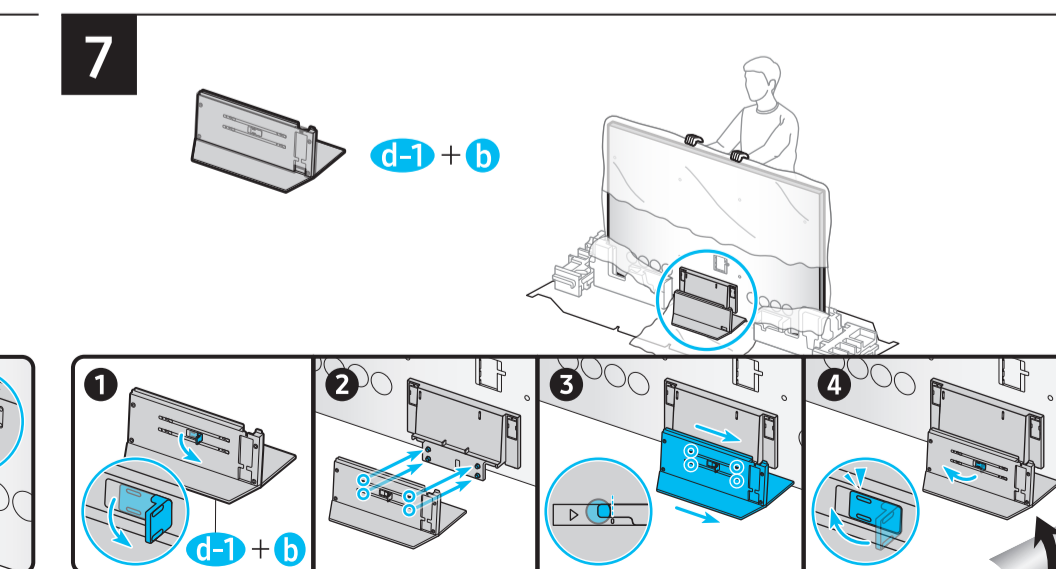
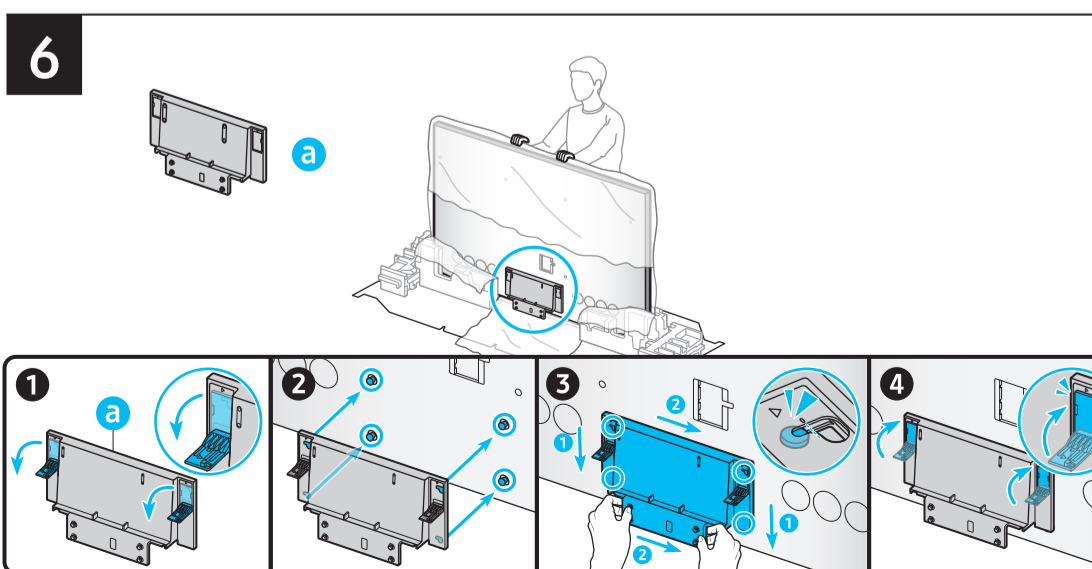
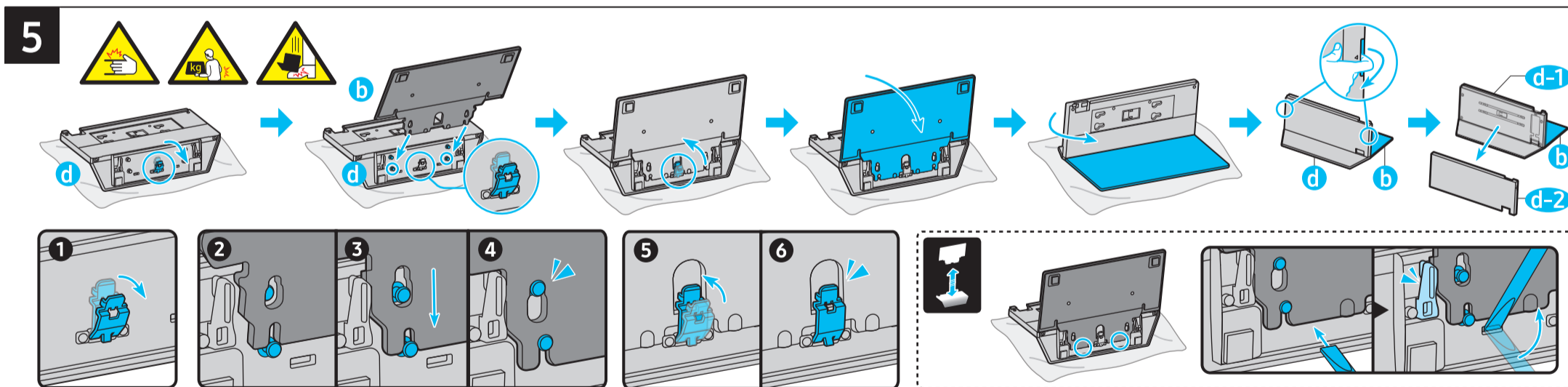
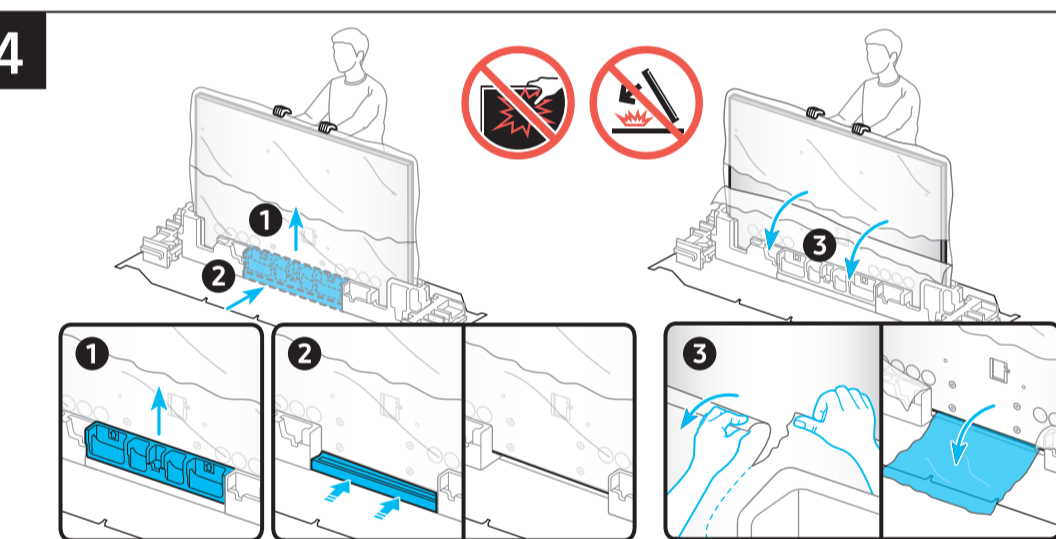
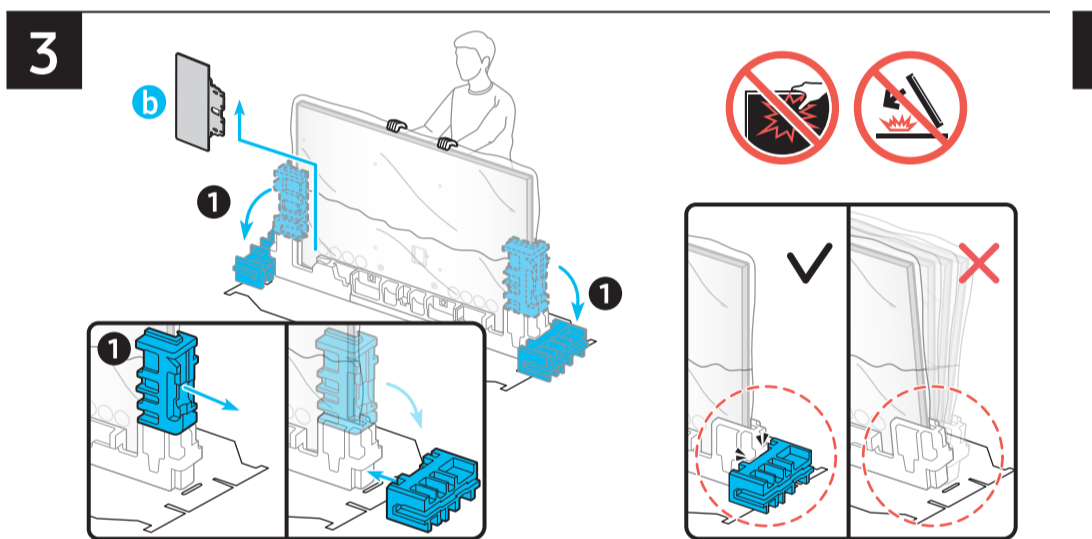
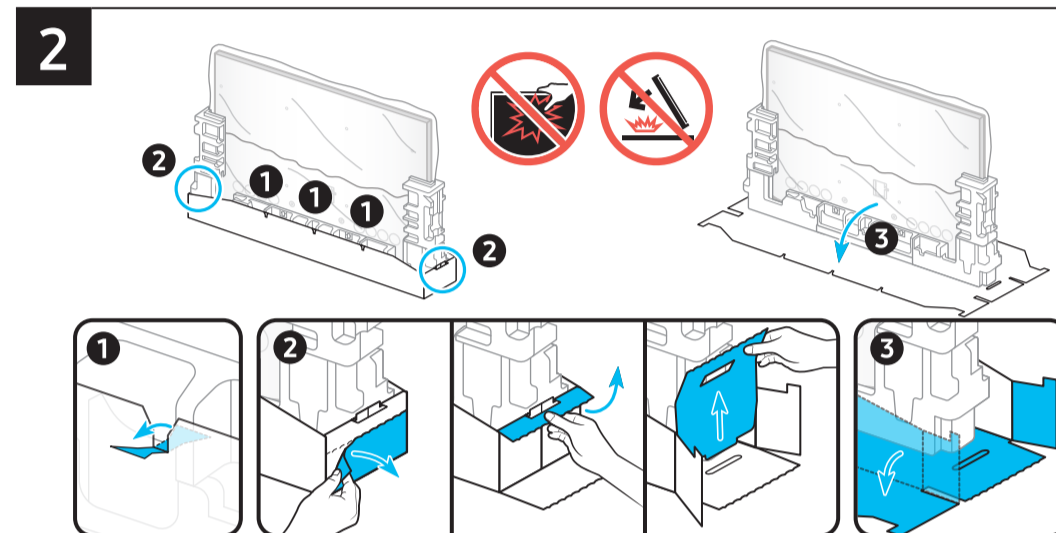
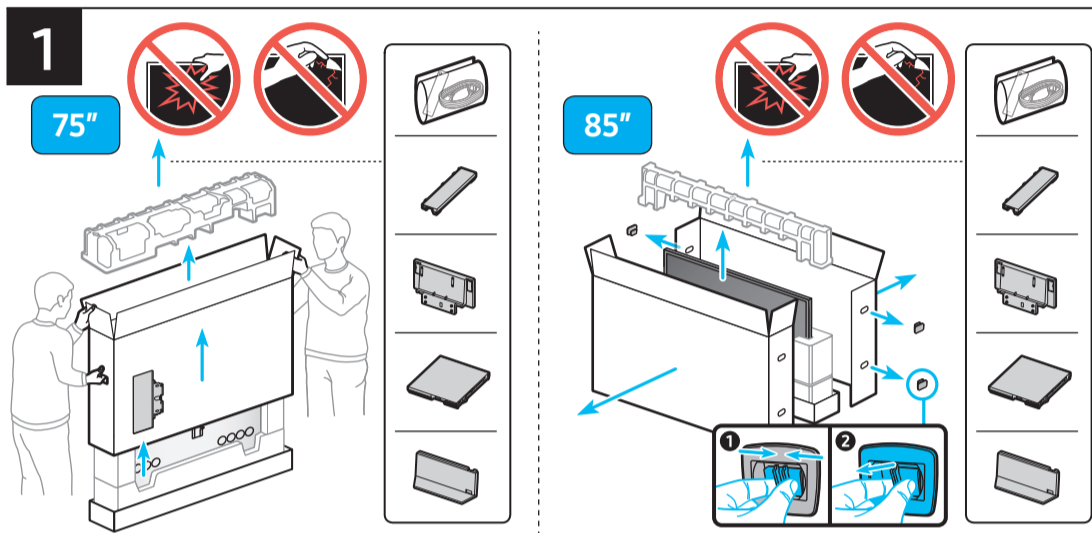


SAMSUNG

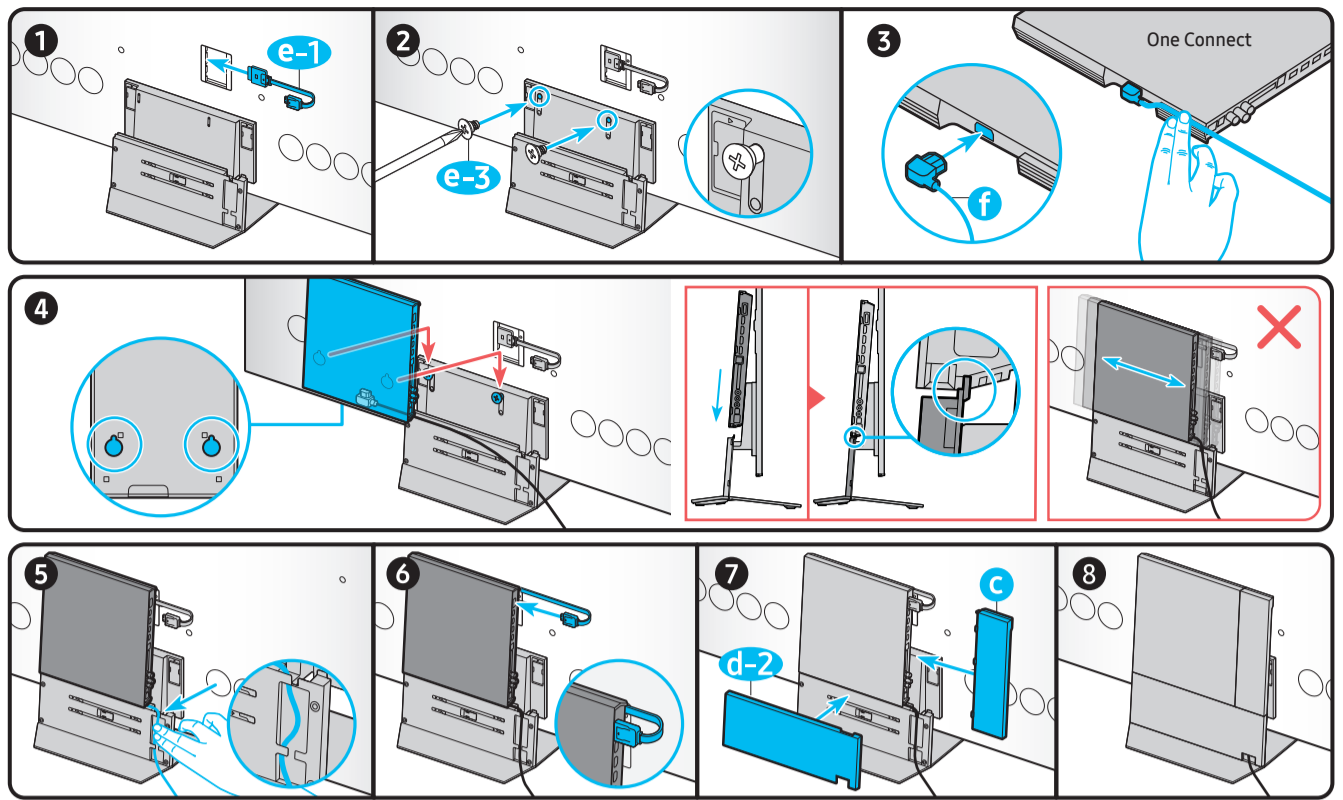
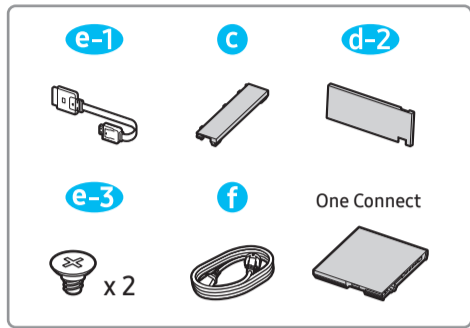
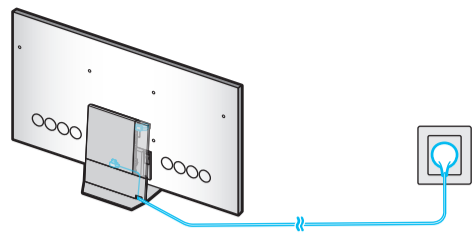
Unpacking and Installation Guide



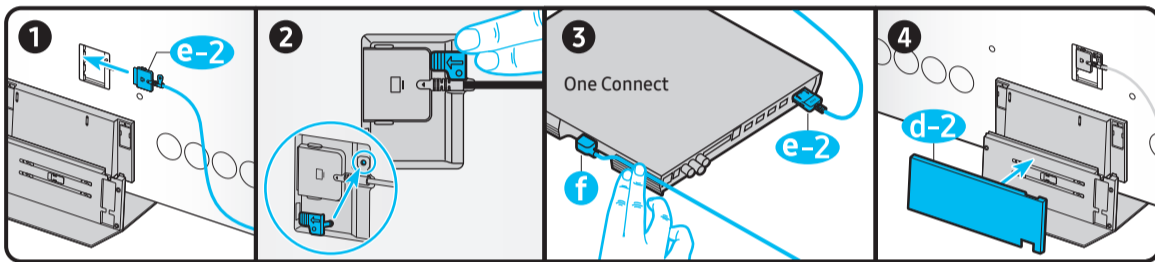
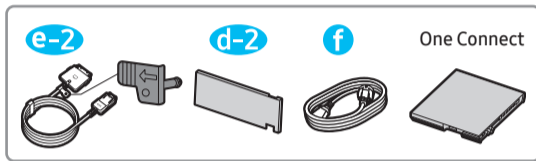
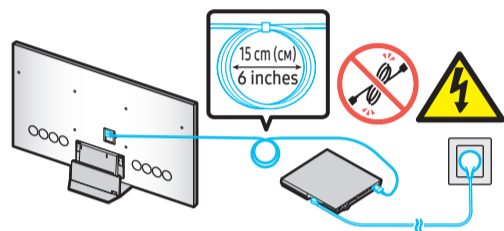
Scan this QR code with your smart phone to see helpful videos.



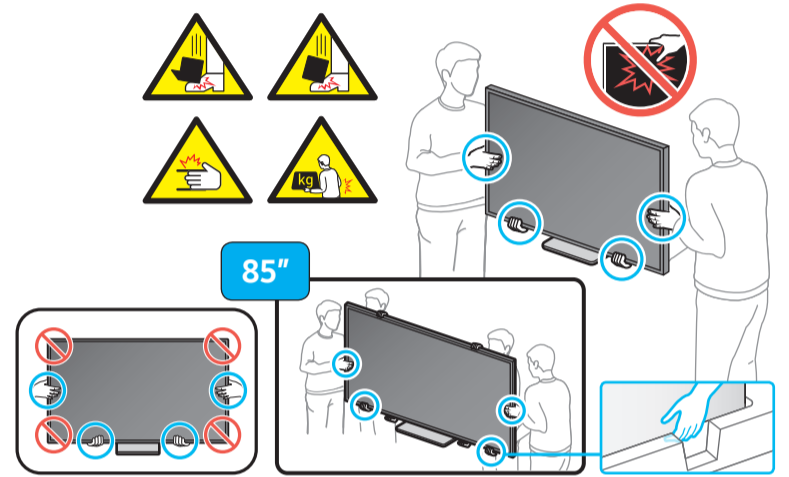
8-A



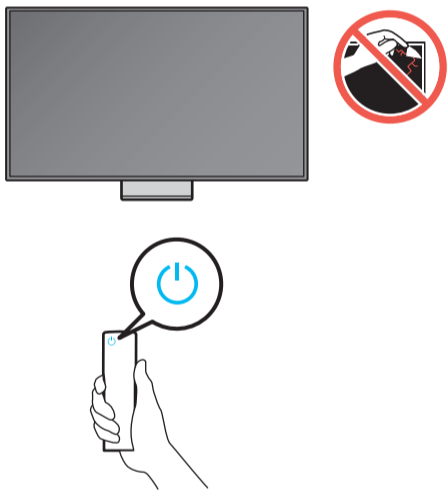
8-B



9

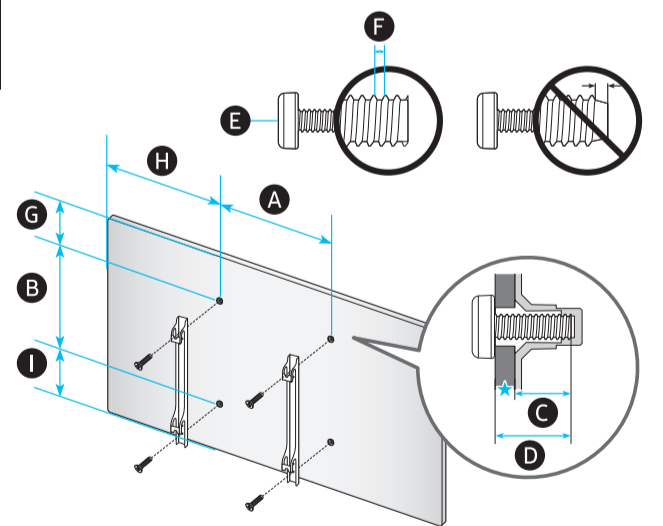
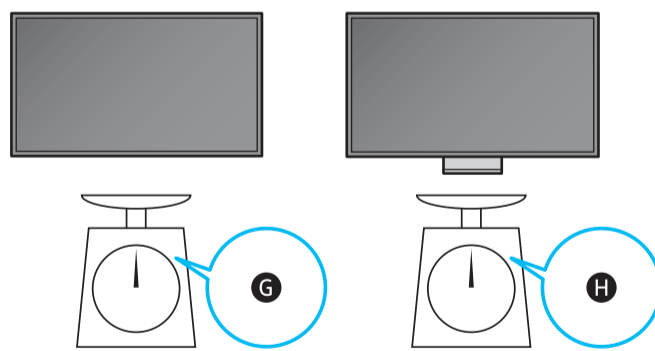
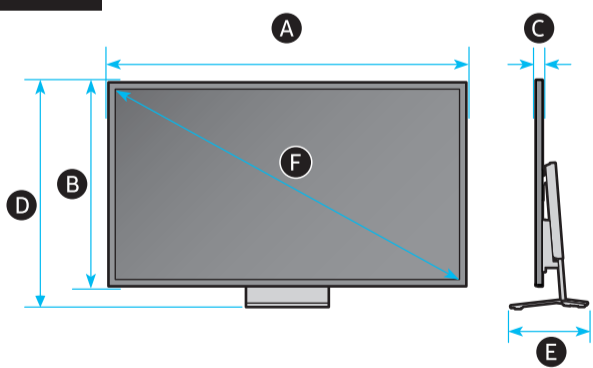
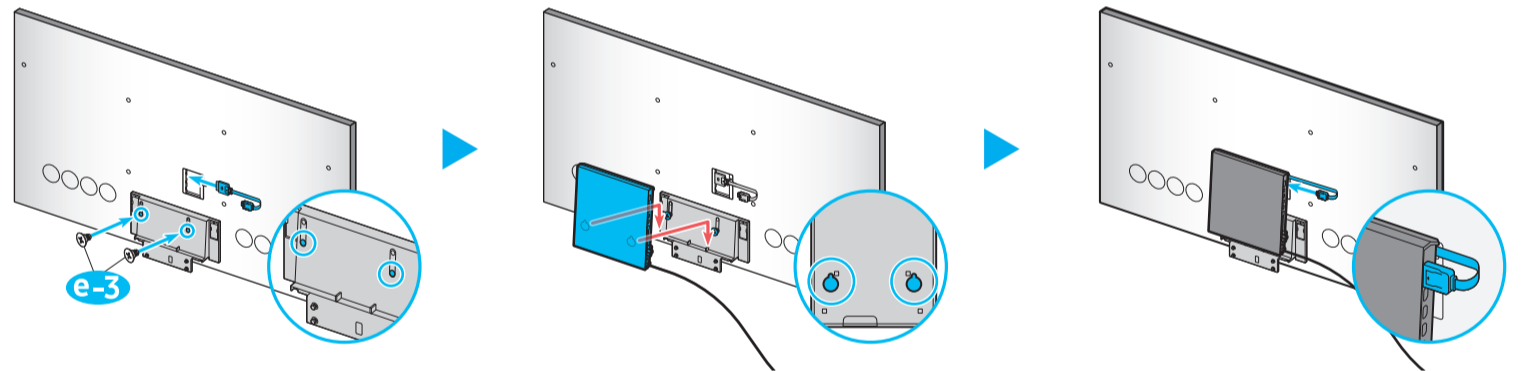


10



* When installing the TV as wallmount, You can place the One Connect Box as shown below.

* Wall mount sold separately. A full motion TV wall mount is recommended to mount the 65", 75" and 85" Class Samsung Neo QLED 8K-QN900D when placing the One Connect Box behind the TV (as illustrated in the in-box Installation Guide). Other wall mount types (tilted, fixed) may require you to dismount TV from the wall in order to access the One Connect Box.



	A	B	C	D	E	F	G	H
75QN9**D	65.2 inches (1655.2 mm)	37.0 inches (940.8 mm)	0.5 inches (13.1 mm)	40.1 inches (1018.5 mm)	11.2 inches (283.8 mm)	74.5 inches	67.9 lbs (30.8 kg)	89.1 lbs (40.4 kg)
85QN9**D	73.9 inches (1877.4 mm)	42.0 inches (1067.1 mm)	0.5 inches (13.3 mm)	45.1 inches (1145.2 mm)	12.0 inches (304.9 mm)	84.5 inches	94.1 lbs (42.7 kg)	117.7 lbs (53.4 kg)

* : 0-9, A-Z

* : 0-9, A-Z

★ : Wall-Mount Bracket

	VESA A x B (mm)	C (mm)	D	E x 4	F (mm)	G (inches)	H (inches)	I (inches)
75QN9**D	400 x 300	5-6	C + ★	M8	1.25	7.5	24.7	17.7
85QN9**D	600 x 400	5-6	C + ★	M8	1.25	7.9	25.1	18.4