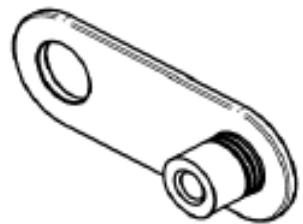
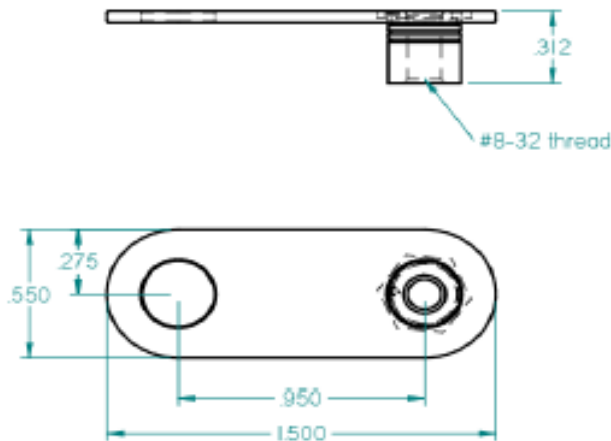


Material Catalog Part Detail




General Description

Manufacturer :	PROTECTION TECHNOLOGIES INC.
Manufacturer Part Nb :	80900899
Product Description :	JUNCTION BOX METAL TAB (SET OF 4)
Product Type :	SPARE PARTS
Specifications :	Heavy duty replacement junction box tabs
Where used :	G-FENCE
Power Supply :	N/A



Stainless Steel 316

Rev	Date	Init	Modification		
Exe : bhoffman	Date : 01/06/2026	init :	Date :	Bill of material :	F : 1/1
Assembly :					
Sub-Assembly :					
JUNCTION BOX METAL TAB (SET OF 4)					
				 520 VISTA BLVD 89434 SPARKS NV - USA Phone: (775) 858-7333 Fax: (775) 858-7888	
				N° : 80900899 0	