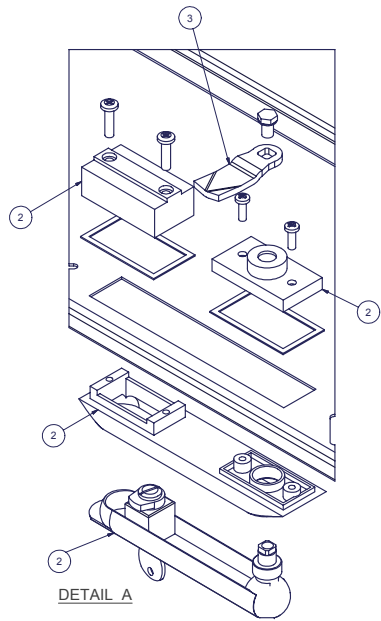
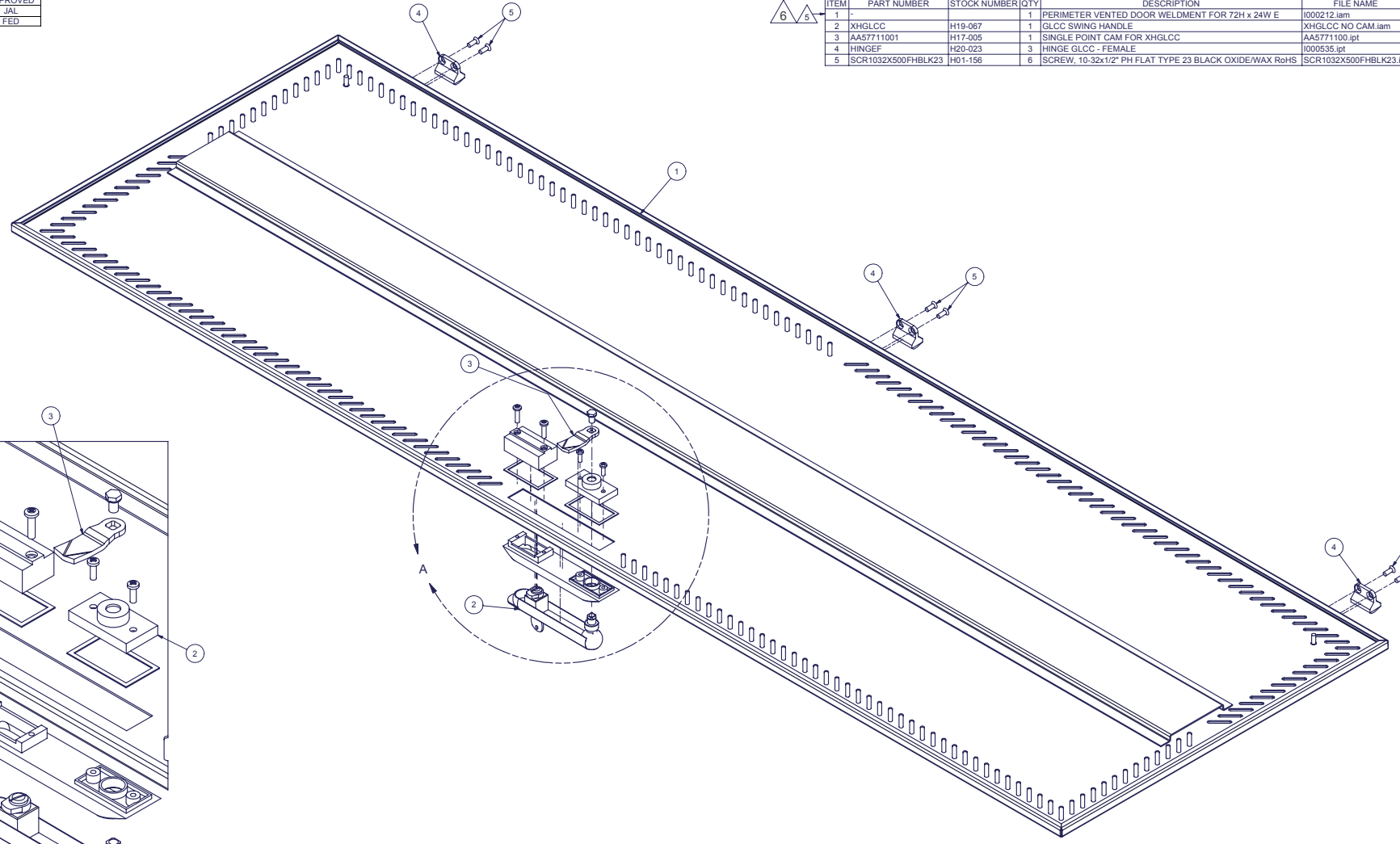


REVISION HISTORY			
REV	DESCRIPTION	DATE	APPROVED
5	ECO-01302	9/2/2003	JAL
6	ECO-02616	8/5/2009	FED

Bill of Material						
ITEM	PART NUMBER	STOCK NUMBER	QTY	DESCRIPTION	FILE NAME	REVISION
1	-	-	1	PERIMETER VENTED DOOR WELDMENT FOR 72H x 24W E	I000212.lam	4
2	XHGLCC	H19-067	1	GLCC SWING HANDLE	XHGLCC NO CAM.lam	-
3	AA57711001	H17-005	1	SINGLE POINT CAM FOR XHGLCC	AA57711001.plt	-
4	HINSEF	H20-023	3	HINSE GLCC - FEMALE	I000535.plt	0
5	SCR1032X500FHBLK23	H01-156	6	SCREW, 10-32x1/2" PH FLAT TYPE 23 BLACK OXIDE/WAX RoHS	SCR1032X500FHBLK23.plt	-



DETAIL A

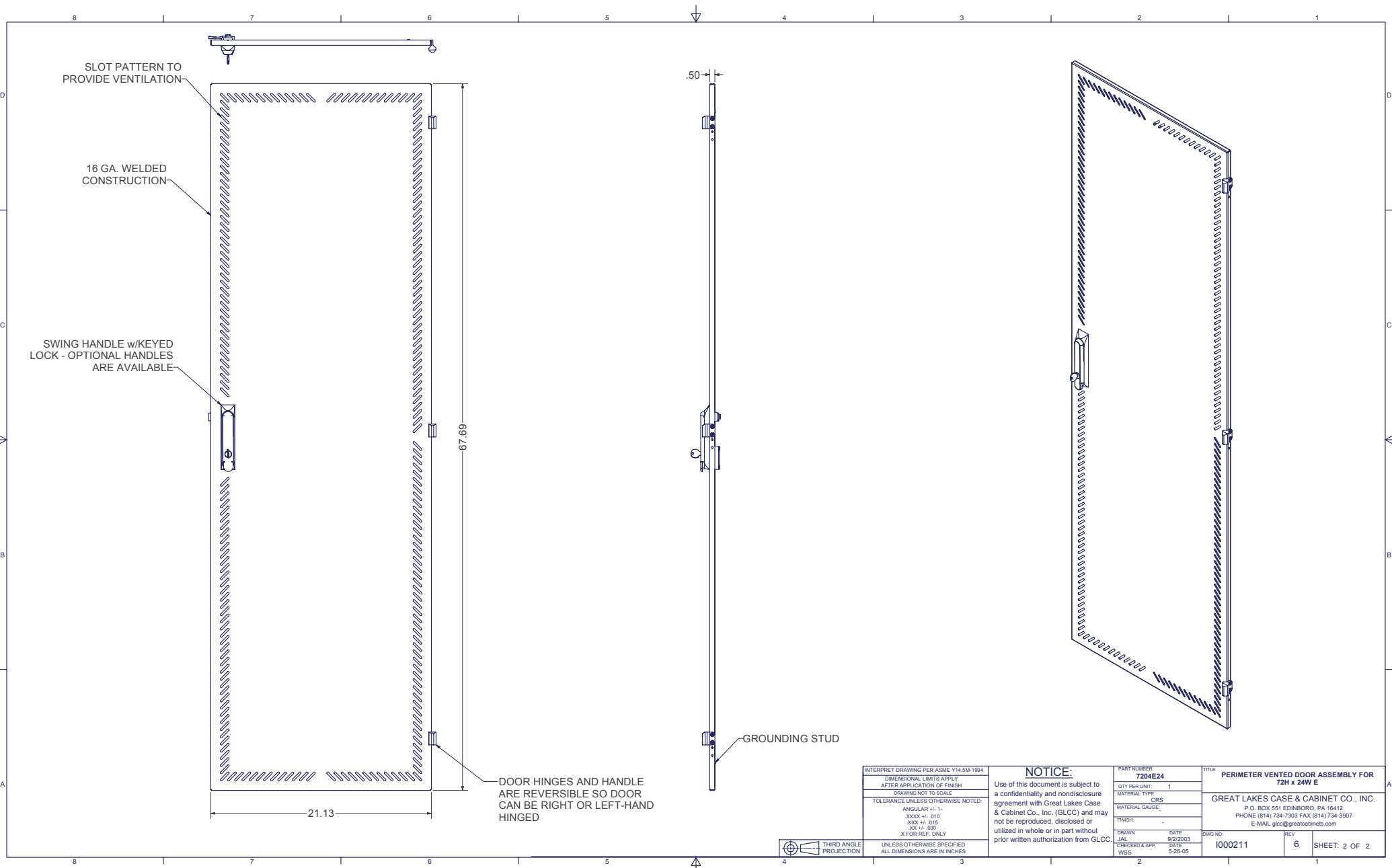
THIRD ANGLE PROJECTION

INTERPRET DRAWING PER ASME Y14.5M-1994
DIMENSIONAL LIMITS APPLY AFTER APPLICATION OF FINISH
DRAWING NOT TO SCALE
TOLERANCE UNLESS OTHERWISE NOTED: ANGULAR +/- 1° XXX +/- .010 XXX +/- .015 XX +/- .030 X FOR REF. ONLY
UNLESS OTHERWISE SPECIFIED ALL DIMENSIONS ARE IN INCHES

**NOTICE:**  
Use of this document is subject to a confidentiality and nondisclosure agreement with Great Lakes Case & Cabinet Co., Inc. (GLCC) and may not be reproduced, disclosed or utilized in whole or in part without prior written authorization from GLCC.

PART NUMBER: <b>7204E24</b>	TITLE: <b>PERIMETER VENTED DOOR ASSEMBLY FOR 72H x 24W E</b>
QTY PER UNIT: 1	MATERIAL TYPE: CRS
MATERIAL GRADE: <b>#16 GA</b>	FINISH: -
DRAWN: JAL	DATE: 9/2/2003
CHECKED & APP: WSS	DATE: 9/2/2003
DWG NO: <b>I000211</b>	REV: <b>6</b>
SHEET: 1 OF 2	

GREAT LAKES CASE & CABINET CO., INC.  
P.O. BOX 551 EDINBORO, PA 16412  
PHONE: (814) 734-7303 FAX: (814) 734-3907  
E-MAIL: glcc@greatscabinets.com



SLOT PATTERN TO PROVIDE VENTILATION

16 GA. WELDED CONSTRUCTION

SWING HANDLE w/KEYED LOCK - OPTIONAL HANDLES ARE AVAILABLE

67.69

21.13

0.50

GROUNDING STUD

DOOR HINGES AND HANDLE ARE REVERSIBLE SO DOOR CAN BE RIGHT OR LEFT-HAND HINGED

INTERPRET DRAWING PER ASME Y14.5M-1994	
DIMENSIONAL LIMITS APPLY AFTER APPLICATION OF FINISH	
DRAWING NOT TO SCALE	
TOLERANCE UNLESS OTHERWISE NOTED:	
ANGULAR ± .1°	
XXX ± .010	
XXX ± .015	
XX ± .030	
X FOR REF. ONLY	
UNLESS OTHERWISE SPECIFIED ALL DIMENSIONS ARE IN INCHES	

**NOTICE:**  
Use of this document is subject to a confidentiality and nondisclosure agreement with Great Lakes Case & Cabinet Co., Inc. (GLCC) and may not be reproduced, disclosed or utilized in whole or in part without prior written authorization from GLCC.

PART NUMBER	7204E24
QTY PER UNIT	1
MATERIAL TYPE	CRS
MATERIAL GAUGE	
FINISH	
DRAWN	JAL
CHECKED & APP.	WSS
DATE	9/2/2003
DATE	5-26-05

TITLE		PERIMETER VENTED DOOR ASSEMBLY FOR 72H x 24W E	
GREAT LAKES CASE & CABINET CO., INC.		P.O. BOX 551 EDINBORO, PA 16412	
PHONE: (814) 734-7323 FAX: (814) 734-3907		E-MAIL: glcc@greatscabinets.com	
DWG NO.	1000211	REV	6
SHEET: 2 OF 2			

