

## PRODUCT CHANGE NOTIFICATION

Courbevoie, France  
 Date : July 12<sup>th</sup> 2022  
 Updated on June 2<sup>nd</sup> 2023  
 PCN VISIONPASS-2022-01.D

**Object: Slim wall mount now included in VisionPass by default.**

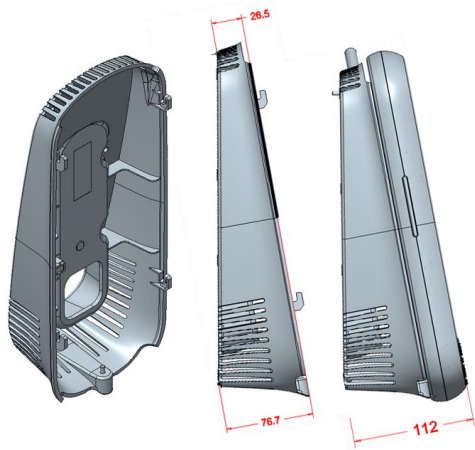
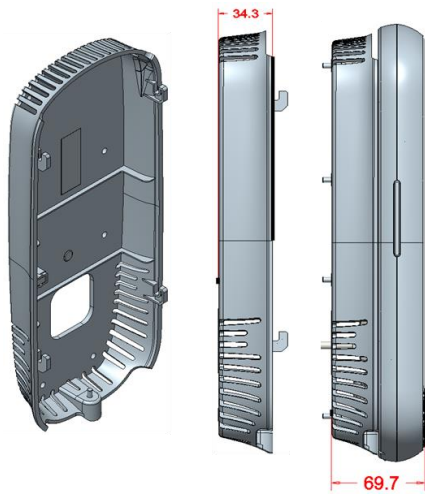
Dear Partners and Customers,

### Products

Part number	Product name
293744571	VisionPass MD
293744604	VisionPass MDPI
293767954	VisionPass MDPI-M

### Context

VisionPass has been sold with the Standard Wall Mount since the launch of the product. We have been working on an additional Slim Wall Mount that allows better integration on customer site.

Name	Standard wall mount	Slim wall mount
PN Unit level	293744539	293786868
PN Ordering	293804608	293804616
Color	Black	Black
Installation height	1150 mm	1300 mm
Drawings		



Product Changes

**When ordering the Products, both the Standard Wall Mount and the Slim Wall Mount will be provided in each cardbox**

Main impact on Products

	Before Product Change	After Product Change
Product Dimension	325 x 143 x 110 mm 12.8 x 5.6 x 4.3 in	325 x 143 x 70 mm 2.8 x 5.6 x 2.8 in (with Slim Wall Mount)
Installation height *	1 150 mm * 43,3 In *	1 300 mm * 53,15 in *
Packaging size	400 x 220 x 200 mm 16 x 9 x 8 in	400 x 220 x 200 mm 16 x 9 x 9 in
Gross weight	~ 2,8 kg ~ 6,2 lbs	~ 3 kg ~ 6,6 lbs

\* Installers must refer to Installation Guide for full notice

New Packaging Illustration



Schedule

This Product Change is scheduled in April 2023, depending on stock levels.  
The Product Change is for VisionPass with Serial number higher than SN2317.

Ordering

The above Part Number remains the same.

Product Certifications

This product change is not affecting the certifications of the Product.

We invite you to contact your IDEMIA sales representative or your distribution partner. Feel free to visit [www.idemia.com](http://www.idemia.com) to access information about our latest technologies and products.

