

Sarix Fisheye 3 Series

8 MP

12 MP

5-YEAR WARRANTY

Worried about missing something critical? The Sarix Fisheye 3 Series can help. Equipped with analytics optimized for a fisheye view, it can identify critical events with greater accuracy. Make sense of your surroundings and stay a step ahead with the Sarix Fisheye 3 Series.



Features

ACCURACY IS KEY

Never let a person go undetected. Detect individuals from only their heads and shoulders and follow them across the screen, even if they are directly below the camera.¹

INCREASE EFFICIENCY AND PRODUCTIVITY

Save time and money by automating camera management tasks, such as view assessments and firmware updates, reducing the need for routine checks and maintenance.

FOCUS ON THE DETAILS

Narrow your field of view with a 180-degree option that removes unnecessary details from low-activity zones so you can focus on what's most important

GREATER VISIBILITY FOR GREATER PROTECTION

Get a smoother, sharper and more detailed understanding of the scene with 30% more pixel resolution².

SEE, HEAR AND UNDERSTAND

Achieve comprehensive awareness using analytics that alert you when someone enters your space or if your camera's microphone detects a loud or unusual sound.

UNWARP YOUR VIEW

Capture the entire scene without sacrificing clarity or realism. The camera automatically corrects the image, delivering panoramic views with natural proportions.

¹ To be available post-launch.

² Only available on the 12 MP variants.

For more information, visit the Sarix Fisheye 3 [In-ceiling](#) or [Surface mount](#) webpage.

PELCO[®]

Specifications

Image Performance		8.0 MP	12.0 MP
Image Sensor		1/1.8" progressive scan CMOS	1/1.6" progressive scan CMOS
180° Video Streaming Resolutions	Primary Stream	3840 x 2160	3520 x 1920
	Secondary Stream	1280 x 720; 640 x 360	704 x 384; 512 x 280
	Tertiary Stream	640 x 360	512 x 280
360° Video Streaming Resolutions	Primary Stream	2048 x 2048	3520 x 3520
	Secondary Stream	720 x 720; 512 x 512; 384 x 384	720 x 720; 512 x 512; 384 x 384
	Tertiary Stream	320 x 320	320 x 320
Dewarped 180° Video Streaming Resolutions	Primary Stream	180x2: 2304 x 928 120x3: 1536 x 928 90x4: 1152 x 928	180x2: 3072 x 1248 120x3: 2048 x 1248 90x4: 1536 x 1248
	Secondary Stream	180x2: 768 x 312 120x3: 512 x 312 90x4: 384 x 312	180x2: 768 x 312 120x3: 512 x 312 90x4: 384 x 312
Dewarped 360° Video Streaming Resolutions	Primary Stream	180x2: 2304 x 928 120x3: 1536 x 928 90x4: 1152 x 928	180x2: 3072 x 1248 120x3: 2048 x 1248 90x4: 1536 x 1248
	Secondary Stream	180x2: 768 x 312 120x3: 512 x 312 90x4: 384 x 312	180x2: 768 x 312 120x3: 512 x 312 90x4: 384 x 312
Horizontal Angle of View (HFOV)	180°	188°	188°
	360°	182°	182°
Vertical Angle of View (VFOV)	180°	104°	104°
	360°	182°	182°
Max Image Rate*†	Full feature	25fps/30fps	25fps/30fps
	No Video Analytics	25fps/30fps	25fps/30fps
	Dewarp video	25fps/30fps	25fps/30fps
	High Framerate 180°	33fps/40fps	N/A
	High Framerate 360°	50fps/60fps	N/A

Image Performance**8.0 MP****12.0 MP**

Dynamic Range	WDR Off	Up to 83 dB	
	WDR On	Up to 120 dB	
Camera Operating Modes		Full feature No Video Analytics (full feature with video analytics disabled) High Framerate (video analytics disabled) Dewarp video	Full feature No Video Analytics (full feature with video analytics disabled) Dewarp video
Bandwidth Management		HDSM SmartCodec technology; Idle scene mode	
3D Noise Reduction Filter		Yes	

* Wide Dynamic Range (WDR) needs to be turned off to achieve an image rate above 30fps.

†The max image rates listed in the table can only be achieved when using H.264 or H.265 encoding.

Lens and IR Illumination**8.0 MP****12.0 MP**

Lens	180°	1.74 mm	N/A
	360°	1.4 mm	1.74 mm
IR Illumination Max Distance (high power 850 nm LEDs)		17 m	22 m
Minimum Illumination	With IR	0 lux	
	Without IR	0.1 lux in monochrome, 0.2 lux in colour mode	0.19 lux in monochrome, 0.38 lux in colour mode
Max Aperture		F2.0	

Image Control

Image Compression Method	H.264, H.265, Motion JPEG
Streaming	Multi-stream H.264, Multi-stream H.265, Motion JPEG
Electronic Shutter Control	Automatic, Manual (1/6 to 1/8000 sec)
Day/Night Control	Automatic, Manual
Flicker Control	60 Hz, 50 Hz
Iris Control	Fixed
White Balance	Automatic, Manual
Backlight Compensation	Adjustable
Privacy Zones	Up to 64 zones
Adjustable IR LEDs	Yes

Analytics

Motion Detection	Pixel motion and classified object detection
Camera Sabotage	Yes, video analytics based

Network

Network	100BASE-TX, RJ45 Connector, CAT5e Cabling
Open API	ONVIF compliance Profile S, Profile T, Profile G, and Profile M (www.onvif.org)
Security	Password protection, HTTPS encryption, digest authentication, WS authentication, user access log, 802.1x port based authentication, FIPS 140-3 level 3 with onboard TPM, Signed and encrypted firmware
Protocols	IPv6, IPv4, HTTP, HTTPS, SOAP, DNS, NTP, RTSP, RTCP, RTP, TCP, UDP, IGMPv3, ICMP, DHCP, Zeroconf, DSCP, FTP
Streaming Protocols	RTP/UDP, RTP/UDP multicast, RTP/RTSP/TCP, RTP/RTSP/HTTP/TCP, RTP/RTSP/HTTPS/TCP, HTTP, SRTP
Device Management Protocols	SNMP v2c, SNMP v3

Peripherals

Onboard Storage	2 x microSD/microSDHC/microSDXC slots – video speed class card required. Class V10 or better recommended. Supports SD card encryption.
-----------------	--

Auxiliary I/O

Audio Compression Method	Opus, G.711 PCM 8 kHz
Audio Input/Output	Line level I/O and built-in microphone (can be disabled with a hardware switch)
External I/O Terminals	Alarm In: Digital input for connecting an external input sensor (for example, a motion detector); Alarm Out: Digital output for controlling an external output device (for example, a siren)

Mechanical

Surface Mount

In-Ceiling Mount

		Surface Mount	In-Ceiling Mount
Dimensions (LxWxH)	Camera	153.5 mm x 153.5 mm x 71.3 mm; 6" x 6" x 2.81"	200.6 mm x 200.6 mm x 18.4 mm; 7.9" x 7.9" x 0.72"
	With Wall Mount	153.5 mm x 153.5 mm x 71.3 mm; 6" x 6" x 2.81"	N/A
	With Pendant Mount	168 mm x 168 mm x 112.3 mm; 6.6" x 6.6" x 4.4"	N/A
Weight	Camera	0.916 kg (2.02 lb)	0.907 kg (2.0 lb)
	With Wall Mount	1.001 kg (2.21 lb)	N/A
	With Pendant Mount	1.242 kg (2.74 lb)	N/A
Max. Ceiling Thickness		N/A	31.75 mm; 1.25"
Dome Bubble		Polycarbonate, clear	N/A
Body		Aluminum	Polycarbonate
Housing		Aluminum	Polycarbonate
Finish		Cast, powder coated, close to RAL 9002	Plastic, injection molded, close to RAL 9002

Electrical

Surface Mount

In-Ceiling Mount

Power Consumption	With IR: 26 W Without IR: 12 W	12 W
-------------------	-----------------------------------	------

Electrical**Surface Mount****In-Ceiling Mount**

Power Source	VDC: 12V+/-10%, 26 W min PoE: IEEE 802.3af Class 3 PoE+: IEEE 802.3at Class 4	VDC: 12V+/-10%, 12 W min PoE: IEEE 802.3af Class 3
Power Connector	2-pin terminal block	
RTC Battery Backup	3V manganese lithium	
Memory	4 GB RAM, 4 GB Flash	

Environmental**Surface Mount****In-Ceiling Mount**

Operating Temperature	-40 °C to +60 °C (-40 °F to 140 °F)	-10 °C to +60 °C (14 °F to 140 °F)
IR Illuminator Behavior	PoE	IR illuminator will turn off if the temperature is higher than 55°C (131°F) or below -30°C (-22°F). The illuminator will operate at 33% power if below 10°C (50°F)
	PoE+	IR illuminator will turn off if the temperature is higher than 55°C (131°F). The illuminator will operate at 66% power if above 30C. The illuminator will operate at 75% power and 66% power, if below 10°C (50°F).
Storage Temperature	-10 °C to +70 °C (14 °F to 158 °F)	
Humidity	0 - 100% non-condensing	0 - 95% non-condensing

Certifications**Surface Mount****In-Ceiling Mount**

Certifications/Directives	UL, cUL, CE, ROHS, RCM, UKCA, KC, BIS, NOM	
Safety	UL/CSA/IEC/EN 62368-1 (3rd edition), IEC/EN 62471, IC ICES-003	
Environmental	IK10 Impact Rating ¹ , NEMA 4X, IP66 & IP67 Ingress Rating	IP54 Ingress Rating
Electromagnetic Emissions	FCC Title 47 CFR Part 15, SubPart B	
Electromagnetic Immunity	EN 55032, EN 61000-6-3, EN 61000-3-2, EN 61000-3-3, EN 55035, EN 61000-6-1, EN IEC 63000	

¹ Outdoor models only.

Analytics Specifications

Supported Analytics Events

Objects in Area	The event is triggered when the selected object type moves into the region of interest. This event can be used to count objects.
Object Loitering	The event is triggered when the selected object type moves into the region of interest and then stays for an extended amount of time.
Objects Crossing Beam	The event is triggered when the specified number of objects have crossed the directional beam that is configured over the camera's field of view. The beam can be unidirectional or bidirectional.
Object Appears or Enters Area	The event is triggered by each object that enters the region of interest.
Object Not Present in Area	The event is triggered when no objects are present in the region of interest.
Objects Enter Area	The event is triggered when the specified number of objects have entered the region of interest.
Objects Leave Area	The event is triggered when the specified number of objects have left the region of interest.
Object Stops in Area	The event is triggered when an object moves into a region of interest and then stops moving for the specified threshold time.
Direction Violated	The event is triggered when an object moves in the prohibited direction of travel.
Crowd Size	This event is triggered when the number of people is exceeded over a configurable duration.
Unusual Crowd Growth	This event is triggered when a crowd size grows unexpectedly.
Unusual Crowd Size	This event is triggered when an unusual crowd size is detected.

Supported Audio Analytics Events

Gunshot ¹	Up to 100 meters
Scream	Up to 15 meters
Glass Break	Up to 15 meters
Car Alarm	Up to 30 meters
Smoke Alarm	Up to 15 meters
Dog Bark	Up to 15 meters
Tire Screech ²	Up to 15 meters
Loud Noise	Up to 40 meters
Ultrasonic Panic Alarm ³	Up to 40 meters

¹ Optional add-on license required.

² The detection range is limited to up to 8 meters in loud environments.

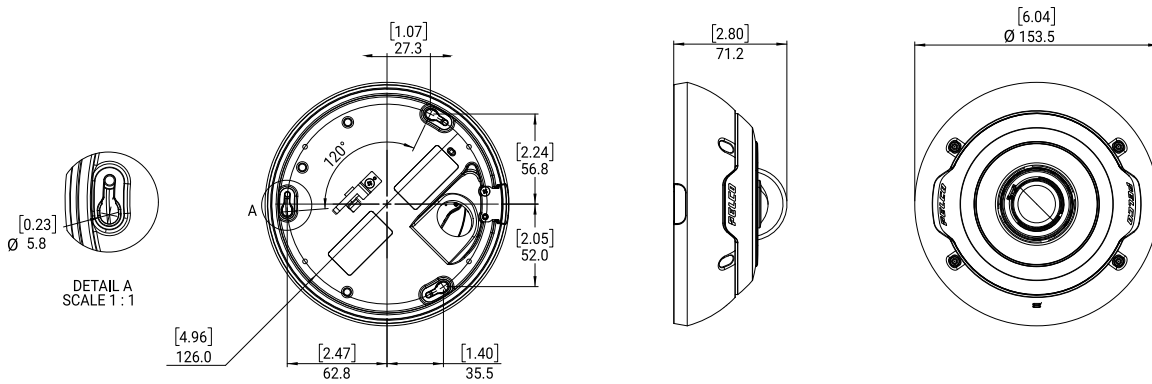
³ The detection range is influenced by the quality and power of the device used to create the panic alarm.

Pelco Elevate Supported Features

Image Health	Detects incremental changes in the camera's view, such as position shifts or obstructions. Notifies users through ONVIF conformant events and summarized email reports.
Firmware Management	Schedule and deploy automatic firmware updates to multiple cameras, or update individual cameras on-demand.

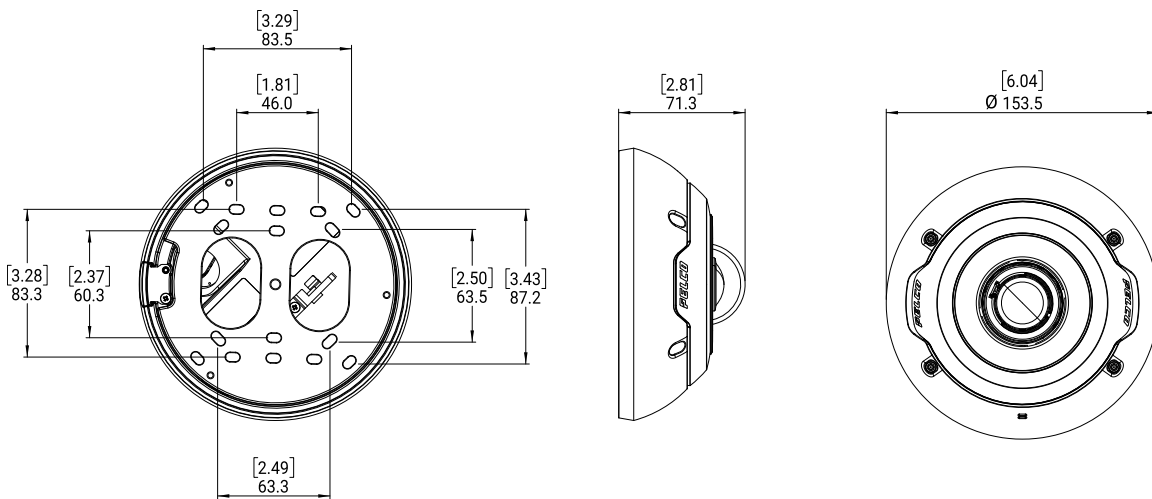
Outline Dimensions

Surface Mount Camera with Mounting Plate

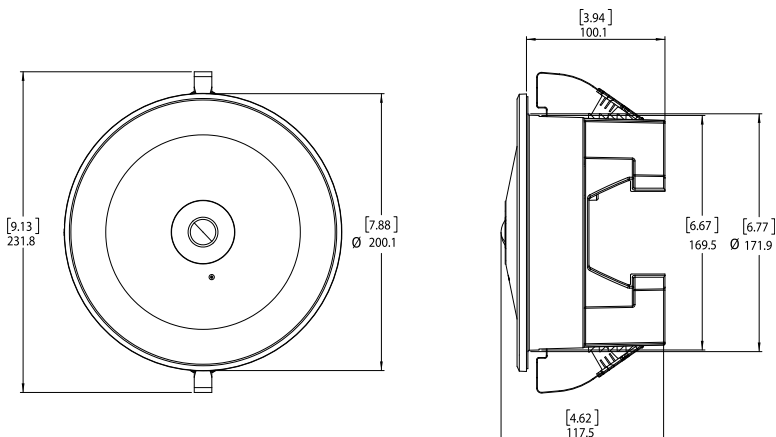


[X.XX]	INCHES
X.X	MM

Surface Mount Camera without Mounting Plate

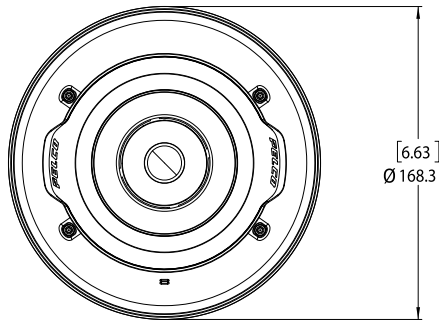
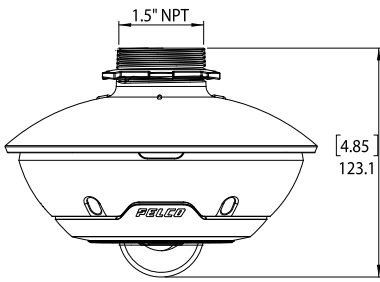


In-Ceiling Mount Camera

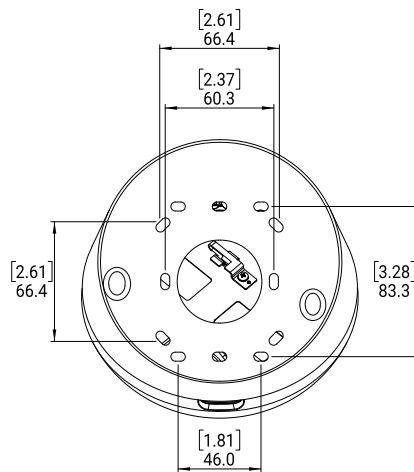
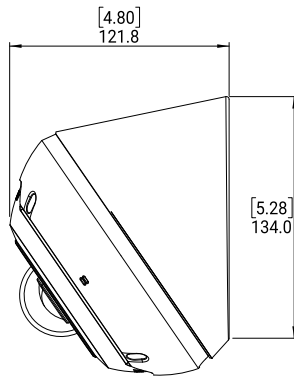
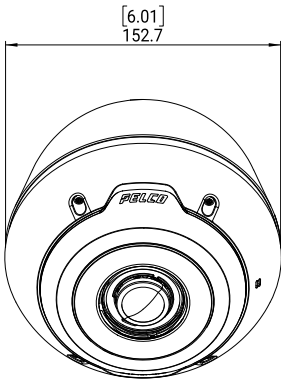


Pendant Mount Camera

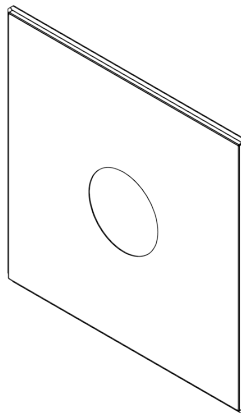
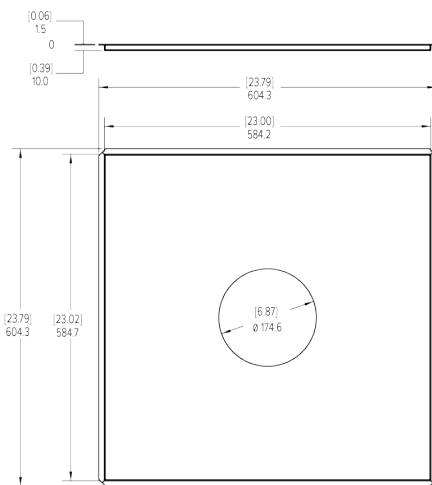
[X.XX]	INCHES
X.X	MM



Wedge Mount Camera



Metal Ceiling Panel



Ordering Information

Surface Mount Camera

Model	MP	WDR	Analytics	Lens	IR	IP66/IP67, Type4x	Smart Compression	SureVision Technology
SRXF3-8180-ES	8.0	✓	✓	1.74 mm		✓	✓	✓
SRXF3-8180-ERS	8.0	✓	✓	1.74 mm	✓	✓	✓	✓
SRXF3-8360-ES	8.0	✓	✓	1.4 mm		✓	✓	✓
SRXF3-8360-ERS	8.0	✓	✓	1.4 mm	✓	✓	✓	✓
SRXF3-12360-ES	12.0	✓	✓	1.74 mm		✓	✓	✓
SRXF3-12360-ERS	12.0	✓	✓	1.74 mm	✓	✓	✓	✓

In-Ceiling Mount Camera

Model	MP	WDR	Analytics ¹	Lens	IR	IP66/IP67, Type4x	Smart Compression	SureVision Technology
SRXF3-8360-I	8.0	✓	✓	1.4 mm		✓	✓	✓
SRXF3-12360-I	12.0	✓	✓	1.74 mm		✓	✓	✓

¹ Analytics are supported when the camera is installed in the ceiling-mounted orientation mode.

Accessories

Part Number	Description
180-FE-WG-MT	Wedge wall mount for 180 Fisheye
MSI-FE-DC-KIT	Install Accessory Kit for Fisheye In-Ceiling
IMF-PM	NPT Adapter for Sarix Fisheye Dome
SRXF-ACC-DO-KIT	Install Accessory Kit for Sarix Fisheye Dome
MSI-FE-CPNL	Ceiling Panel for Fisheye In-Ceiling
WLMT-1021	Wall mount arm for 1.5" NPT Pendant
CRNMT-1001	Corner mount for WLMT-1021
PLMT-1001	Pole mount adapter for WLMT-1021
PP350-AW	Parapet wall mount, Pantone 427C
PP351-AW	Parapet rooftop mount, Pantone 427C
POE130-XT	Single-port PoE Gigabit extender powered by POE190-BT injector
POE130-AT (US or EU)	Single-port PoE+ midspan with power cord
PEO430-AT (US or EU)	4-port, 30 W per port PoE midspan with power cord
PEO1236-AT (US or EU)	12-port, 36 W PoE midspan

Part Number	Description
PEO2436-AT (US or EU)	24-port, 36 W PoE midspan

Support

Learn more and find additional documentation at pelco.com or email support@pelco.com for specific product support.

© 2024 Pelco, Inc. All rights reserved. MOTOROLA, MOTO, MOTOROLA SOLUTIONS, and the Stylized M Logo are trademarks or registered trademarks of Motorola Trademark Holdings, LLC and are used under license. Pelco, the Pelco logo, and other trademarks associated with Pelco products referred to in this publication are trademarks of Pelco, Inc. or its affiliates. All other trademarks are the property of their respective owners. Product specifications and availability are subject to change without notice. SEP 2025 REV REV 1

PELCO®